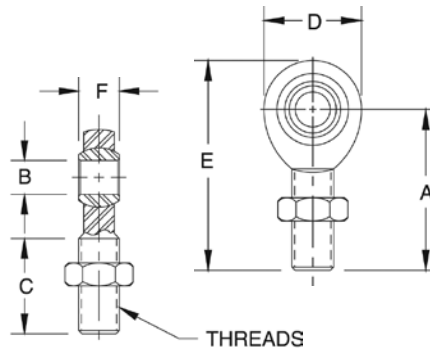


Rod End Ball Joints



Standard Features

- Used in the ITCM assembly
- One jam nut included with each rod end ball joint
- Optional stainless steel provides enhanced corrosion resistance for hostile environments

Part Number/Price

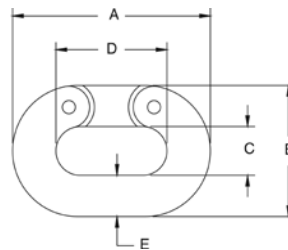
Part #	Safe Load*	Breaking Strength	PTFE Lined	Price
Mild Steel				
17746	975 lb	3,915 lb	YES	Consult
17734	1,200 lb	4,916 lb	NO	Consult
17736	4,000 lb	16,238 lb	NO	Consult
17738	7,000 lb	28,081 lb	NO	Consult
17735	2,000 lb	8,075 lb	NO	Consult
17737	3,250 lb	13,831 lb	NO	Consult
17739	500 lb	2,158 lb	YES	Consult
17740	4,000 lb	16,238 lb	YES	Consult
17741	10,000 lb	40,572 lb	YES	Consult
17742	10,500 lb	43,541 lb	NO	Consult
26007	15,000 lb	76,200 lb	YES	Consult
17747	19,000 lb	76,200 lb	YES	Consult
17743	20,000 lb	79,728 lb	NO	Consult
17744	24,000 lb	96,510 lb	NO	Consult
Stainless Steel				
33505	500 lb	2,158 lb	YES	Consult
33506	1,500 lb	7,362 lb	YES	Consult
33507	3,000 lb	16,238 lb	YES	Consult
33508	7,000 lb	40,572 lb	YES	Consult

*Do not exceed the safe load

Dimensions

Part #	A	B	C	D	E	F	Thread Size
Mild Steel							
17746	1.94 in	0.37 in	1.25 in	1.00 in	2.43 in	0.50 in	3/8-24 UNF
17734	1.94 in	0.37 in	1.25 in	1.00 in	2.43 in	0.50 in	3/8-24 UNF
17736	2.44 in	0.50 in	1.50 in	1.31 in	3.09 in	0.62 in	1/2-20 UNF
17738	2.87 in	0.75 in	1.75 in	1.75 in	3.75 in	0.87 in	3/4-16 UNF
17735	2.44 in	0.50 in	1.50 in	1.31 in	3.09 in	0.62 in	1/2-20 UNF
17737	2.87 in	0.75 in	1.75 in	1.75 in	3.75 in	0.87 in	3/4-16 UNF
17739	1.56 in	0.25 in	1.00 in	0.75 in	1.93 in	0.37 in	1/4-28 UNF
17740	2.44 in	0.50 in	1.50 in	1.31 in	3.09 in	0.62 in	1/2-20 UNF
17741	2.87 in	0.62 in	1.75 in	1.75 in	3.75 in	0.75 in	3/4-16 UNF
17742	4.12 in	1.00 in	2.12 in	2.75 in	5.50 in	1.37 in	1-12 UNF
26007	4.12 in	1.00 in	2.12 in	2.75 in	5.50 in	1.37 in	1-14 UNS
17747	4.12 in	1.00 in	2.12 in	2.75 in	5.50 in	1.37 in	1-12 UNF
17743	4.12 in	1.25 in	2.12 in	2.75 in	5.50 in	1.09 in	1 1/4-12 UNF
17744	5.37 in	1.50 in	3.00 in	3.50 in	7.12 in	1.31 in	1 1/2-12 UNF
Stainless Steel							
33506	1.94 in	0.37 in	1.25 in	1.00 in	2.43 in	0.50 in	3/8-24 UNF
33505	1.56 in	0.25 in	1.00 in	0.75 in	1.93 in	0.37 in	1/4-28 UNF
33507	2.44 in	0.50 in	1.50 in	1.31 in	3.09 in	0.62 in	1/2-20 UNF
33508	2.87 in	0.62 in	1.75 in	1.75 in	3.75 in	0.75 in	3/4-16 UNF

Connecting Links



Standard Features

- Drop-forged carbon steel, heat-treated, hot-dipped galvanized finish

Part Number/Price

Part #	A	B	C	D	E	Safe Load*	Price
17794	1.50 in	1.00 in	0.43 in	0.87 in	0.25 in	1,325 lb	Consult
17795	2.06 in	1.37 in	0.56 in	1.12 in	0.37 in	2,750 lb	Consult
17796	2.65 in	1.71 in	0.65 in	1.46 in	0.50 in	4,750 lb	Consult
17797	3.31 in	2.09 in	0.78 in	1.81 in	0.62 in	7,250 lb	Consult
17798	3.87 in	2.50 in	0.93 in	2.12 in	0.75 in	10,250 lb	Consult
17799	5.00 in	3.31 in	1.25 in	2.75 in	1.00 in	15,500 lb	Consult

*Do not exceed the safe load