

RoughDeck® AX-1

Axle Scale



Standard Features

- Sizes: 7.5 ft, 9.5 ft or 11.5 ft lengths
- Capacity: 50,000 lb
- Includes (2) 1-8 NC eye bolts
- Contains four environmentally sealed, IP67, 20,000 lb single-ended load cells
- Treaded top plate
- JB4SS TuffSeal® signal trim top access junction box
- Top access foot adjustment holes
- Carbon steel captured ball feet
- 20 ft SURVIVOR® EL147HE cable
- Non-Legal for Trade

Options:

- Ramps: 10 × 4 ft, treaded top plate
- Scale frame

Specifications

End Loading Capacity:

80% full scale at 50,000 lb

Warranty:

Load cells: Two-years

All other components: One-year limited

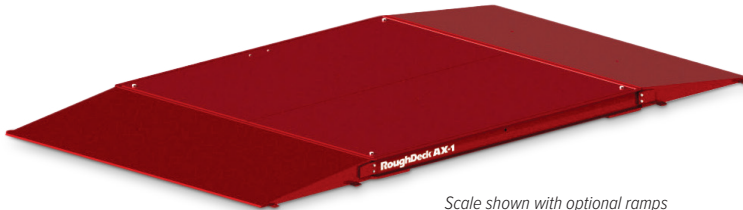
Part Number/Price

Part #	Dimensions (L × W × H)	Capacity	Est. Weight	Price
Scale only				
169649	7.5 ft × 9.6 ft × 6.0 in	50,000 lb	3,350 lb	Consult
169650	9.5 ft × 9.6 ft × 6.0 in	50,000 lb	4,150 lb	Consult
169651	11.5 ft × 9.6 ft × 6.0 in	50,000 lb	5,500 lb	Consult
Scale, bundled with scale frame				
169645	8.0 ft × 10.1 ft × 6.75 in	50,000 lb	4,350 lb	Consult
169647	10.0 ft × 10.1 ft × 6.75 in	50,000 lb	5,400 lb	Consult
169648	12.0 ft × 10.1 ft × 6.75 in	50,000 lb	7,000 lb	Consult

Options/Accessories

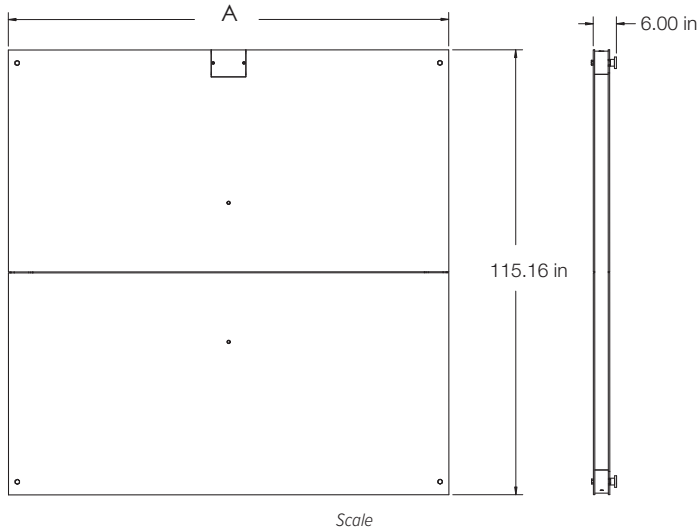
Part #	Dimensions (L × W × H)	Est. Weight	Price
Scale frame only			
169652	8.0 ft × 10.1 ft × 6.75 in	1,000 lb	Consult
169653	10.0 ft × 10.1 ft × 6.75 in	1,250 lb	Consult
169654	12.0 ft × 10.1 ft × 6.75 in	1,500 lb	Consult
Ramp, attaches to scale frame			
169655	10 × 4 ft, single ramp	1,600 lb	Consult
169656	10 × 4 ft, ramp set	3,200 lb	Consult
Ramp, attaches to scale			
169657 *	10 × 4 ft, single ramp	1,675 lb	Consult
169658	10 × 4 ft, ramp set	3,350 lb	Consult

*Consult factory for quote on riser plate for opposite end of scale.

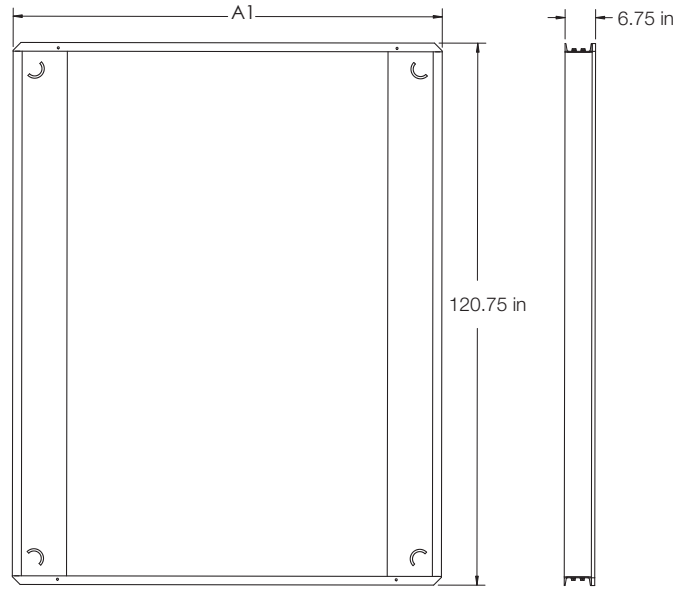


Scale shown with optional ramps

AXLE SCALES



Scale



Scale frame

Dimensions

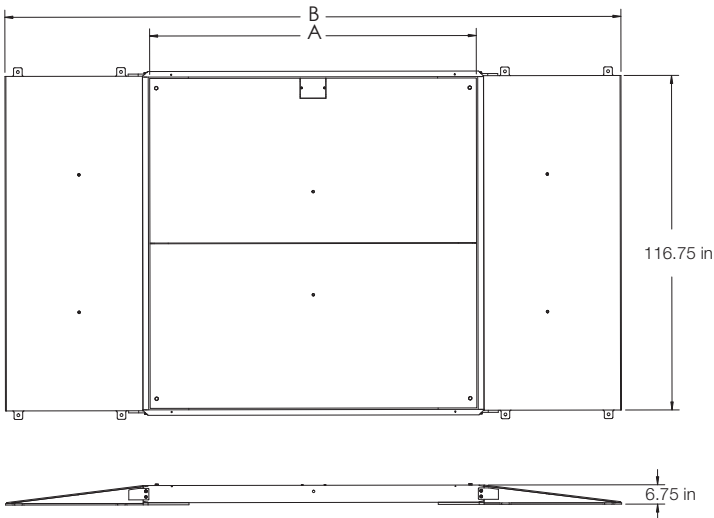
RoughDeck AX-1	
PN 169649	
A	90.00 in
PN 169650	
A	114.00 in
PN 169651	
A	138.00 in

Note: 1 in = 25.4 mm

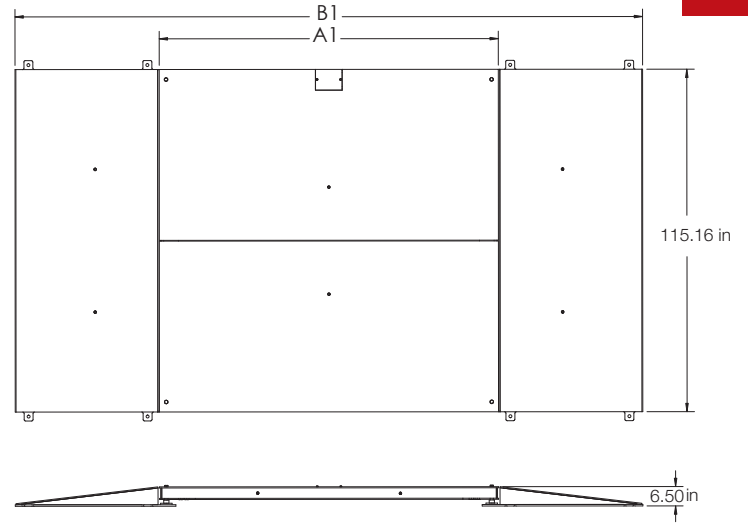
PN 169652	
A1	95.75 in
PN 169653	
A1	119.75 in
PN 169654	
A1	143.75 in

Note: 1 in = 25.4 mm

AXLE SCALES



Scale in scale frame with ramps



Scale with ramps

PN 169645			
A	90.00 in	B	191.75 in
PN 169647			
A	114.00 in	B	215.75 in
PN 169648			
A	138.00 in	B	239.75 in

Note: 1 in = 25.4 mm

PN 169649			
A1	90.00 in	B1	187.00 in
PN 169650			
A1	114.00 in	B1	211.00 in
PN 169651			
A1	138.00 in	B1	235.00 in

Note: 1 in = 25.4 mm