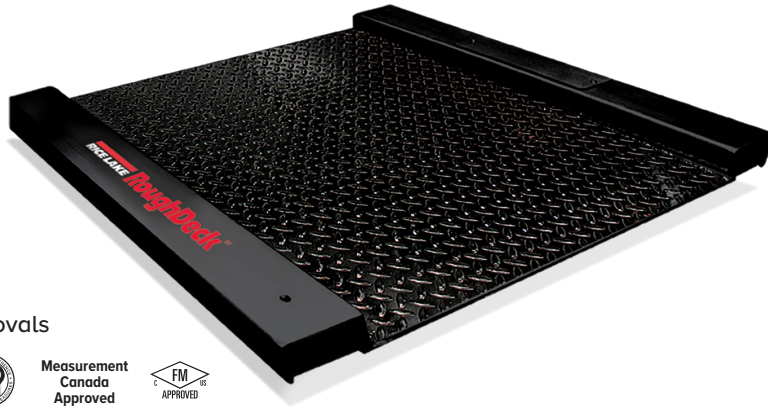


RoughDeck® BDP Mild Steel

Barrel, Drum, Pallet Scale – Stationary Model



Approvals



Measurement
Canada
Approved



Part Number/Price

Part #	Size (W × L) Not Including Side Rails	Capacity (Canadian Approved Capacities)	Est. Weight	Price
77962	30 × 31 in	1,000 lb (500 kg)	205 lb	Consult
77963	30 × 31 in	2,500 lb (1,000 kg)	205 lb	Consult
77964	36 × 37 in	1,000 lb (500 kg)	265 lb	Consult
77965	36 × 37 in	2,500 lb (1,000 kg)	265 lb	Consult
Part #	Size (W × L)	Ramp Angle of Incline	Est. Weight	Price
Access Ramps				
78011	30 × 12 in (sold individually)	7.2°	25 lb	Consult
78012	36 × 12 in (sold individually)	7.2°	30 lb	Consult

Options/Accessories

Part #	Description	Price
18777	Floor anchor plates, mild steel, set of 2 (for use with static scale, without ramps)	Consult
19352	Floor stand for indicator, 36.3 in high, mild steel (for use with static scale)	Consult
126384	Floor stand for indicator, 48 in high, mild steel	Consult
Consult	Mild steel deck with RL32018S IP66 stainless steel (cFMus approved) load cells and hardware	Consult
Consult	Mild steel deck with RL32218S-HE hermetically sealed IP69K stainless steel cFMus approved load cells and hardware	Consult
214612	Back stop and mounting hardware for 30 in wide scale	Consult
214613	Back stop and mounting hardware for 36 in wide scale	Consult

Standard Features

- Live siderails
- Top-access foot adjustment holes
- Four adjustable stainless steel SUREFOOT™ support feet
- Diamond tread top plate
- Alloy steel load cells

Specifications

End Load Capacity:

1,000 lb: 100% full scale
2,500 lb: 80% full scale

Cable Length:

10 ft (3 m)

Junction Box:

TuffSeal® JB4SS stainless steel, NEMA Type 4X junction box with signal trim card

Welding:

Stitch

Threaded Eyebolt:

Hole (1/2-13 NC) located in center of deck for easy lifting

Warranty (limited):

Weldment: Five-year
Load cells: Two-year
All other components: One-year

Approvals:

NTEP 03-060, Class III 2,500 d
Measurement Canada AM-5578
(500 kg) Class III 2,500d
(1,000 kg) Class III 2,000d

FLOOR SCALES



Scale shown with bumper guard

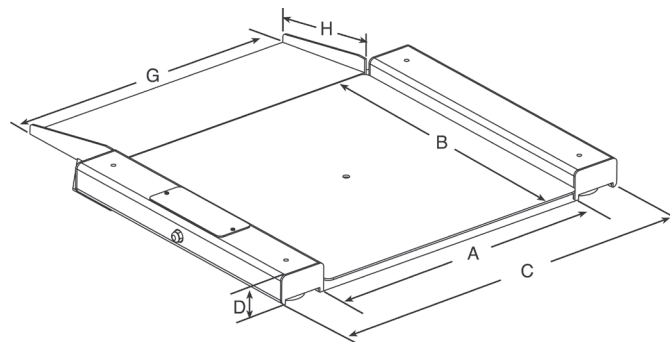
Dimensions

RoughDeck BDP mild steel with access ramp			
30 × 31 in models			
A	30.0 in	D	3.31 in
B	31.0 in	G	30.0 in
C	40.0 in	H	12.0 in
36 × 37 in models			
A	36.0 in	D	3.31 in
B	37.0 in	G	36.0 in
C	46.0 in	H	12.0 in

Distance from floor to top of center weighing surface: 1.625 in

Distance from floor to bottom of weighing surface: 0.31 in

Note: 1 in=25.4 mm

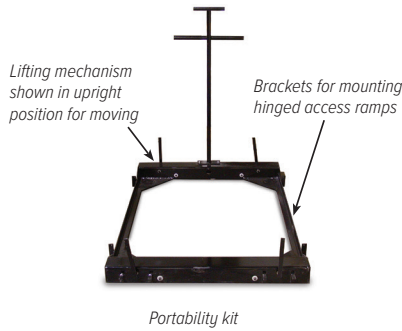


RoughDeck® BDP Mild Steel

Barrel, Drum, Pallet Scale – Portable Model



Scale shown with optional portability kit



Portability kit

Standard Features

- Live side rails
- Top-access foot adjustment holes
- Holes are 1/2-13 threaded for lifting scale
- Four adjustable stainless steel SUREFOOT™ support feet
- Treaded top plate
- Alloy steel load cells

Specifications

End Load Capacity:

- 1,000 lb: 100% full scale
- 2,500 lb: 80% full scale

Cable Length:

10 ft (3 m)

Junction Box:

TuffSeal® JB4SS stainless steel, NEMA Type 4X junction box with signal trim card

Welding:

Stitch

Threaded Eyebolt:

Hole (1/2-13 NC) located in center of deck for easy lifting

Warranty (limited):

Weldment: Five-year
Load cells: Two-year
All other components: One-year

Approvals:

NTEP CC 03-060, Class III 2,500 d
Measurement Canada AM-5578
(500 kg) Class III 2,500 d
(1,000 kg) Class III 2,000 d

Dimensions

RoughDeck BDP mild steel with portability frame and hinged access ramps

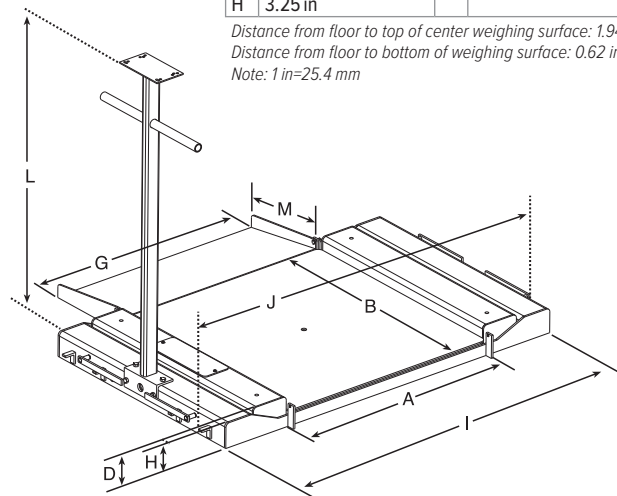
30 × 31 in models

A	30.00 in	I	49.25 in
B	31.00 in	J	52.25 in
D	3.66 in	L	40.37 in
G	29.25 in	M	12.00 in
H	3.25 in		

36 × 37 in models

A	36.00 in	I	55.25 in
B	37.00 in	J	58.25 in
D	3.66 in	L	40.37 in
G	35.25 in	M	12.00 in
H	3.25 in		

Distance from floor to top of center weighing surface: 1.94 in.
Distance from floor to bottom of weighing surface: 0.62 in
Note: 1 in=25.4 mm



Approvals



Measurement
Canada
Approved



Part Number/Price

Part #	Size (W × LW) Not Including Side Rails	Capacity (Canadian Approved Capacities)	Est. Weight	Price
77962	30 × 31 in	1,000 lb (500 kg)	205 lb	Consult
77963	30 × 31 in	2,500 lb (1,000 kg)	205 lb	Consult
77964	36 × 37 in	1,000 lb (500 kg)	265 lb	Consult
77965	37 × 37 in	2,500 lb (1,000 kg)	265 lb	Consult

Portability Kits

Kits Include: Frame, two swivel and two fixed zinc plated steel NSF approved wheels (75lb max. load capacity), indicator stand

78021	For use with 30 × 31 in scale	90 lb	Consult
78022	For use with 36 × 37 in scale	100 lb	Consult

RoughDeck BDP Portability Kit with conductive wheels for use with 882IS

199102	30 × 31 in	25 lb	Consult
199103	36 × 37 in	30 lb	Consult

Part #	Size (W × L)	Ramp Angle of Incline	Es. Weight	Price
Hinged Access Ramps: For use with portability kit				
78015	29.25 × 12 in (sold individually)	8.7°	25 lb	Consult
78016	35.25 × 12 in (sold individually)	8.7°	30 lb	Consult

Options/Accessories

Part #	Description	Price
Consult	Mild steel deck with RL32018S IP66 stainless steel cFMus approved load cells and hardware	Consult
Consult	Mild steel deck with RL32218S-HE hermetically sealed IP69K stainless steel cFMus approved load cells and hardware	Consult
214612	Back stop and mounting hardware for 30 in wide scale	Consult
214613	Back stop and mounting hardware for 36 in wide scale	Consult