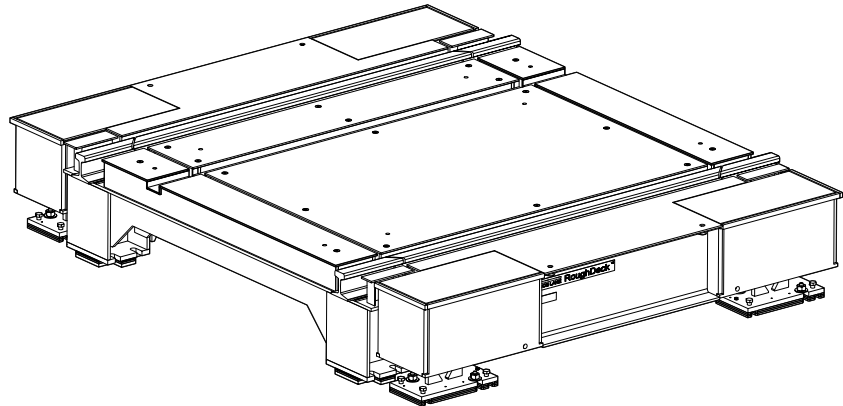


# RoughDeck® CS Rail Car

Top-access Coil Scale



FLOOR SCALES

Scale Capacity: \_\_\_\_\_

Rail Size: \_\_\_\_\_

*Note: Rails to be welded on-site*

New Installation or Existing?  New  Existing

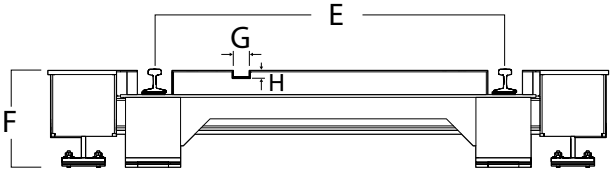
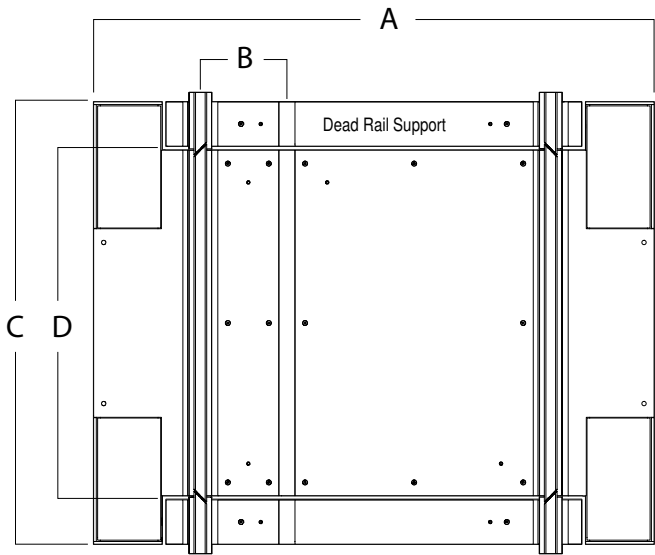
Size of Cart: \_\_\_\_\_

Size of Wheel Base: \_\_\_\_\_

Cable Through Required?  Yes  No

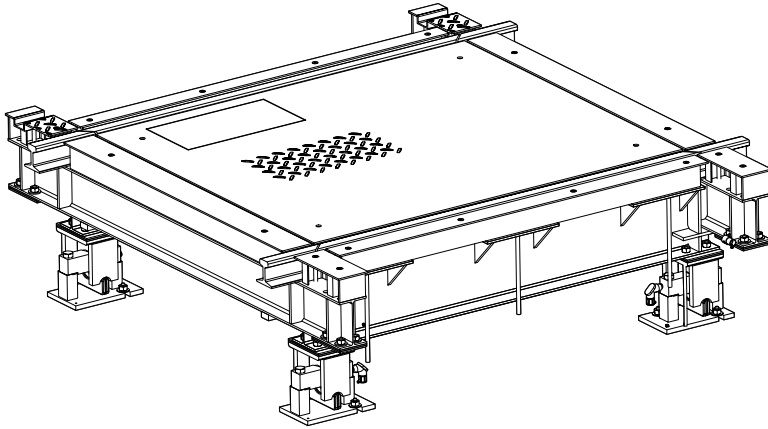
Grout or Shim Installation?  Grout  Shim

Scale Size	
<b>A</b> (PIT WIDTH)	
<b>B</b> (RAIL TO CHANNEL ON CENTER)	
<b>C</b> (PIT OPENING)	
<b>D</b> (SCALE LENGTH)	
<b>E</b> (RAIL WIDTH ON CENTER)	
<b>F</b> (PIT DEPTH)	
<b>G</b> (CABLE CHANNEL WIDTH)	
<b>H</b> (CABLE CHANNEL DEPTH)	



# RoughDeck® CS Rail Car

Under Beam Mount Coil Scale



FLOOR SCALES

Scale Capacity: \_\_\_\_\_

Rail Size: \_\_\_\_\_

*Note: Rails to be welded onsite*

New Installation or Existing?  New  Existing

Size of Cart: \_\_\_\_\_

Size of Wheel Base: \_\_\_\_\_

Grout or Shim Installation?  Grout  Shim

Scale Size	
<b>A</b> (DEAD RAIL BEAM)	
<b>B</b> (RAIL WIDTH ON CENTER)	
<b>C</b> (SCALE LENGTH)	
<b>D</b> (PIT OPENING)	
<b>E</b> (SCALE WIDTH)	
<b>F</b> (PIT DEPTH)	

