

FLOOR SCALES

RoughDeck® FXB

Mild Steel



Scale Size	Scale Capacity (lbs)	Profile (Inches)	Fulcrum Flexure (4 ea.)	Load Flexure (4 ea.)	Center Flexure (1 ea.)	Pull Cable/Wire Rope	Load Cell	Load Cell Spacer
-	-	1	2	3	4	5	6	
18 in x 24 in	500	6.50	33304	33304	33306	115292	21432	N/A
18 in x 24 in	1000	6.50	33304	33304	33306	115292	21434	N/A
18 in x 30 in	500	6.50	33304	33304	33306	115292	21432	N/A
18 in x 30 in	1000	6.50	33304	33304	33306	115292	21434	N/A
18 in x 30 in	1500	6.50	33304	33304	33306	115292	21435	N/A
24 in x 24 in	500	6.50	33304	33304	33306	115292	21432	N/A
24 in x 24 in	1000	6.50	33304	33304	33306	115292	21434	N/A
30 in x 30 in	500	6.50	33304	33304	33306	115292	21432	N/A
30 in x 30 in	1000	6.50	33304	33304	33306	115292	21434	N/A
30 in x 30 in	1500	6.50	33304	33304	33306	115292	21435	N/A
30 in x 30 in	2000	8.25	33303	33087	33305	33084	21436	33425
36 in x 36 in	1000	8.25	33303	33087	33305	33084	21436	33425
36 in x 36 in	2000	8.25	33303	33087	33305	33084	21436	33425
36 in x 36 in	5000	8.25	33303	33087	33305	33084	21437	33425
38 in x 46 in	1000	8.25	33303	33087	33305	33084	21436	33425
38 in x 46 in	2000	8.25	33303	33087	33305	33084	21436	33425
38 in x 46 in	5000	8.25	33303	33087	33305	33084	21437	33425
38 in x 46 in	10000	8.25	33303	33087	33305	33084	21439	33425
48 in x 48 in	1000	8.25	33303	33087	33305	33084	21436	33425
48 in x 48 in	2000	8.25	33303	33087	33305	33084	21436	33425
48 in x 48 in	5000	8.25	33303	33087	33305	33084	21437	33425
48 in x 48 in	7000	9.25	33302	33087	33305	33084	21438	33425
48 in x 48 in	10000	9.25	33302	33087	33305	33084	21438	33425
48 in x 48 in	20000	13.25	33086	33307	33087	*	*	33425
48 in x 60 in	2000	8.25	33303	33087	33305	33084	21436	33425
48 in x 60 in	5000	8.25	33303	33087	33305	33084	21436	33425
48 in x 60 in	10000	9.25	33302	33087	33305	33084	21438	33425
48 in x 60 in	20000	13.25	33086	33307	33087	*	*	33425
48 in x 72 in	2000	8.25	33303	33087	33305	33084	21436	33425
48 in x 72 in	5000	9.25	33303	33087	33305	33084	21436	33425
48 in x 72 in	10000	9.25	33302	33087	33305	33084	21438	33425
48 in x 72 in	20000	13.25	33086	33307	33087	*	*	33425
60 in x 60 in	2000	8.25	33303	33087	33305	33084	21436	33425
60 in x 60 in	5000	8.25	33303	33087	33305	33084	21436	33425
60 in x 60 in	10000	9.25	33302	33087	33305	33084	21438	33425
60 in x 60 in	20000	13.25	33086	33307	33087	*	*	33425
60 in x 72 in	5000	10.25	33086	33307	33305	33084	21436	33425
60 in x 72 in	10000	10.25	33086	33307	33305	33084	21438	33425
60 in x 72 in	20000	13.25	33086	33307	33087	*	*	33425
60 in x 84 in	5000	10.25	33086	33307	33305	33084	21438	33425
60 in x 84 in	10000	13.25	33086	33307	33087	*	*	33425
60 in x 84 in	20000	13.25	33086	33307	33087	*	*	33425
72 in x 72 in	20000	*	33086	33307	33087	*	*	33425
72 in x 96 in	5000	13.25	33086	33307	33087	33084	21438	33425
72 in x 96 in	10000	13.25	33086	33307	33087	*	*	33425
72 in x 96 in	20000	15.25	33086	33307	33087	*	*	33425
84 in x 108 in	5000	*	33086	33307	33087	33084	21438	33425
84 in x 108 in	10000	15.25	33086	*	33087	33084	21439	33425
84 in x 108 in	20000	15.25	33086	*	33087	*	*	33425
96 in x 120 in	10000	15.25	33086	33307	33087	*	*	33425
96 in x 120 in	20000	17.50	33086	33307	*	*	*	33425
96 in x 120 in	30000	19.50	**33086	**33307	*	*	*	33425

*- Consult factory

1a - Consists of two check link angles and necessary mouting hardware.

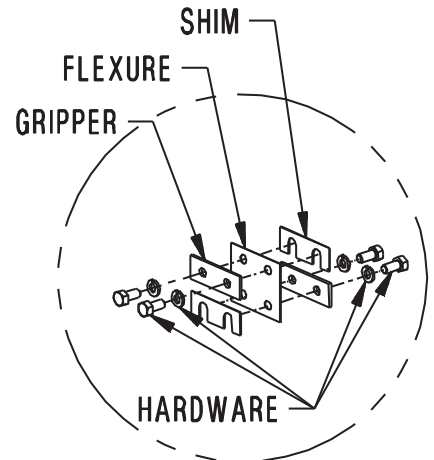
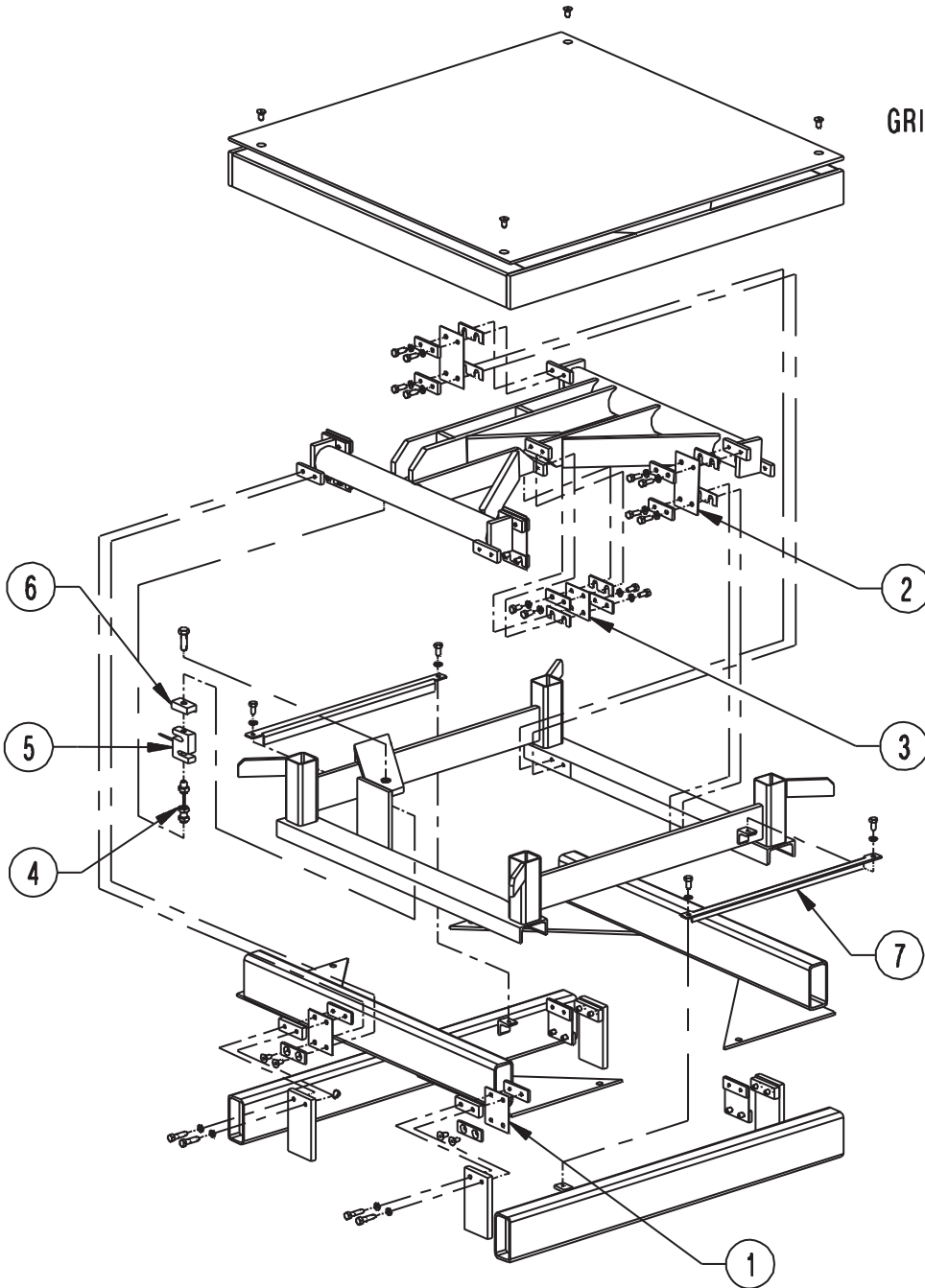
2b - Consists of replacement flexures for the entire scale and ten shims in assorted thicknesses.

3c - Consists of ten assorted thicknesses of shims.

** - Quantity of eight of these are required per scale instead of four.

Floor Scales

FLOOR SCALES
RoughDeck® FXB
 Mild Steel



FOR ILLUSTRATION
 PURPOSES ONLY

RoughDeck® FXB-A

Floor Scales