

FLOOR SCALES

RoughDeck® FXB-SS
Stainless Steel



Scale Size	Scale Capacity (lbs)	Profile (Inches)	Fulcrum Flexure (4 ea.)	Load Flexure (4 ea.)	Center Flexure (1 ea.)	Pull Cable/Wire Rope	Load Cell	Load Cell Spacer
-	-	1	2	3	4	5	6	
18 in x 24 in	500	6.50	113482	113482	114084	115292	72743	115484
18 in x 24 in	1000	6.50	113482	113482	114084	115292	46503	115484
18 in x 30 in	500	6.50	113482	113482	114084	115292	72743	115484
18 in x 30 in	1000	6.50	113482	113482	114084	115292	46503	115484
18 in x 30 in	1500	6.50	113482	113482	114084	115292	72745	115484
24 in x 24 in	500	6.50	113482	113482	114084	115292	72743	115484
24 in x 24 in	1000	6.50	113482	113482	114084	115292	46503	115484
30 in x 30 in	500	6.50	113482	113482	114084	115292	72743	115484
30 in x 30 in	1000	6.50	113482	113482	114084	115292	46503	115484
30 in x 30 in	1500	6.50	113482	113482	114084	115292	72745	115484
30 in x 30 in	2000	8.25	113483	114079	114083	33084	46504	115483
36 in x 36 in	1000	8.25	113483	114079	114083	33084	46504	115483
36 in x 36 in	2000	8.25	113483	114079	114083	33084	46504	115483
36 in x 36 in	5000	8.25	113483	114079	114083	33084	46505	115483
38 in x 46 in	1000	8.25	113483	114079	114083	33084	46504	115483
38 in x 46 in	2000	8.25	113483	114079	114083	33084	46504	115483
38 in x 46 in	5000	8.25	113483	114079	114083	33084	46505	115483
38 in x 46 in	10000	8.25	113483	114079	114083	33084	72749	115483
48 in x 48 in	1000	8.25	113483	114079	114083	33084	46504	115483
48 in x 48 in	2000	8.25	113483	114079	114083	33084	46504	115483
48 in x 48 in	5000	8.25	113483	114079	114083	33084	46504	115483
48 in x 48 in	7000	9.25	114082	114079	114083	33084	46506	115483
48 in x 48 in	10000	9.25	114082	114079	114083	33084	46506	115483
48 in x 48 in	20000	13.25	114081	114080	114079	*	*	115483
48 in x 60 in	2000	8.25	113483	114079	114083	33084	46504	115483
48 in x 60 in	5000	8.25	113483	114079	114083	33084	46504	115483
48 in x 60 in	10000	9.25	114082	114079	114083	33084	46506	115483
48 in x 60 in	20000	13.25	114081	114080	114079	*	*	115483
48 in x 72 in	2000	8.25	113483	114079	114083	33084	46504	115483
48 in x 72 in	5000	9.25	113483	114079	114083	33084	46504	115483
48 in x 72 in	10000	9.25	114082	114079	114083	33084	46506	115483
48 in x 72 in	20000	13.25	114081	114080	114079	*	*	115483
60 in x 60 in	2000	8.25	113483	114079	114083	33084	46504	115483
60 in x 60 in	5000	8.25	113483	114079	114083	33084	46504	115483
60 in x 60 in	10000	9.25	114082	114079	114083	33084	46506	115483
60 in x 60 in	20000	13.25	114081	114080	114079	*	*	115483
60 in x 72 in	5000	10.25	114081	114080	114083	33084	46504	115483
60 in x 72 in	10000	10.25	114081	114080	114083	33084	46506	115483
60 in x 72 in	20000	13.25	114081	114080	114079	*	*	115483
60 in x 84 in	5000	10.25	114081	114080	114083	33084	46506	115483
60 in x 84 in	10000	13.25	114081	114080	114079	*	*	115483
60 in x 84 in	20000	13.25	114081	114080	114079	*	*	115483
72 in x 72 in	20000	*	114081	114080	114079	*	*	*
72 in x 96 in	5000	13.25	114081	114080	114079	33084	46506	115483
72 in x 96 in	10000	13.25	114081	114080	114079	*	*	115483
72 in x 96 in	20000	15.25	114081	114080	114079	*	*	115483
84 in x 108 in	5000	*	114081	114080	114079	33084	46506	115483
84 in x 108 in	10000	15.25	114081	*	114079	33084	72749	115483
84 in x 108 in	20000	15.25	114081	*	114079	*	*	115483
96 in x 120 in	10000	15.25	114081	114080	114079	*	*	115483
96 in x 120 in	20000	17.50	114081	114080	*	*	*	115483
96 in x 120 in	30000	19.50	**114081	114080	*	*	*	115483

* - Consult factory

1a - Consists of two check link angles and necessary mounting hardware.

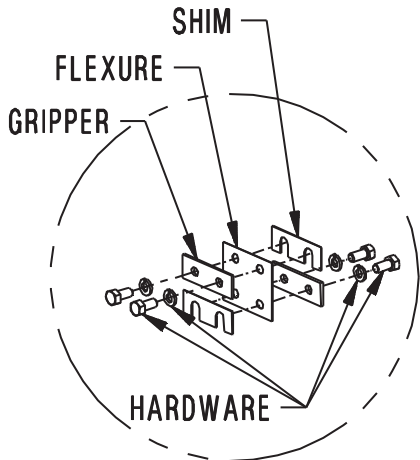
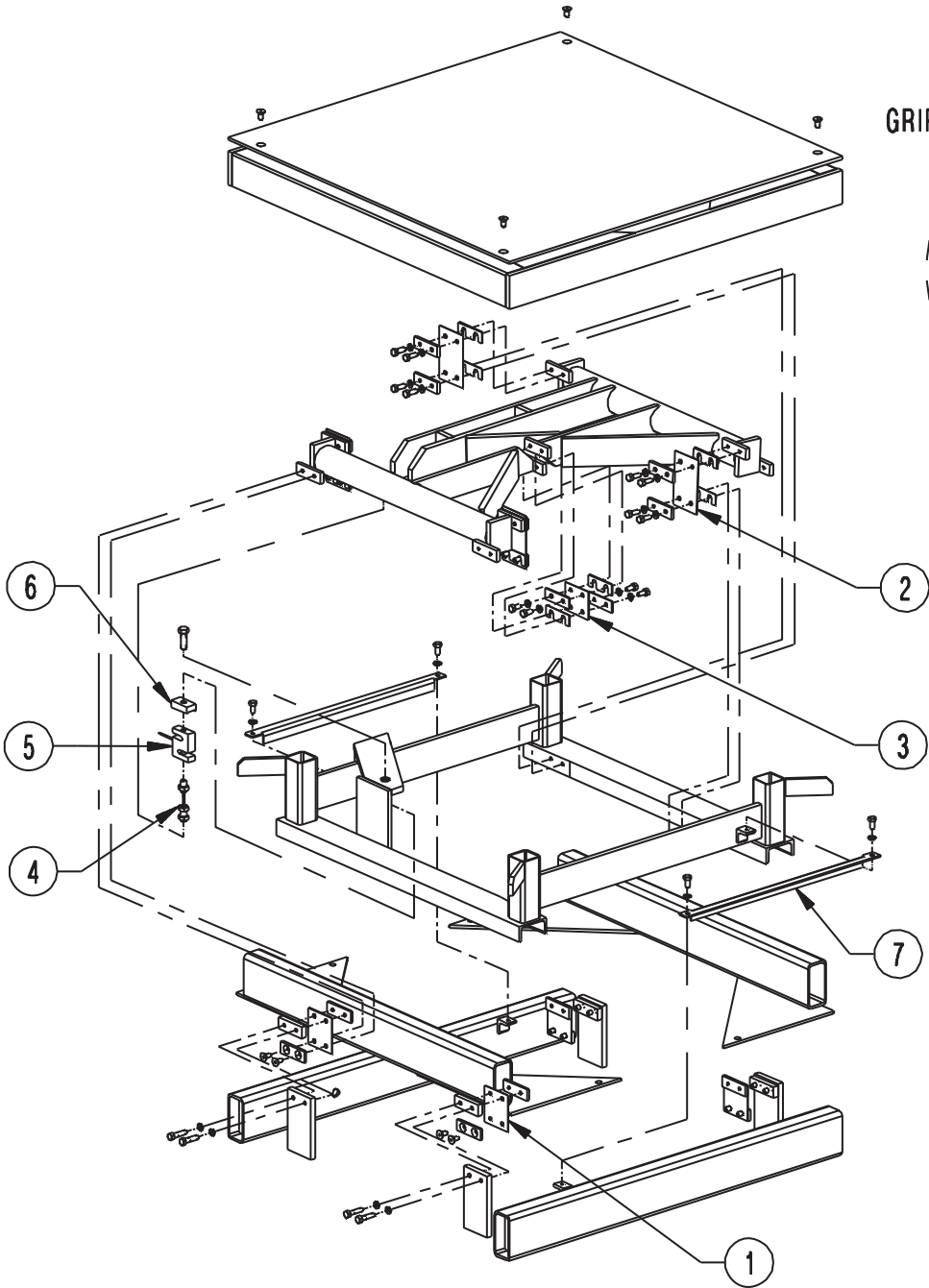
2b - Consists of replacement flexures for the entire scale and ten shims in assorted thicknesses.

3c - Consists of ten assorted thicknesses of shims.

** - Quantity of eight of these are required per scale instead of four.

Floor Scales

FLOOR SCALES
RoughDeck® FXB-SS
 Stainless Steel



FOR ILLUSTRATION
 PURPOSES ONLY

RoughDeck® FXB-A

Floor Scales

FLOOR SCALES

RoughDeck® FXB-SS

Stainless Steel Parts Kit and Hardware



Part Number/Price

Scale Size	Scale Capacity (lbs)	Profile (Inches)	Check Link Angle Kit 1a	Flexure/ Shim Kit 2b	Shim Kit 3c	Hardware Kit
-	-	-	7	-	-	-
18 in x 24 in	500	6.50	*	*	45377	114025
18 in x 24 in	1000	6.50	*	*	45377	114025
18 in x 30 in	500	6.50	*	*	45377	114025
18 in x 30 in	1000	6.50	*	*	45377	114025
18 in x 30 in	1500	6.50	*	*	45377	114025
24 in x 24 in	500	6.50	*	*	45377	114025
24 in x 24 in	1000	6.50	*	*	45377	114025
30 in x 30 in	500	6.50	*	*	45377	114025
30 in x 30 in	1000	6.50	*	*	45377	114025
30 in x 30 in	1500	6.50	*	*	45377	114025
30 in x 30 in	2000	8.25	*	115131	45377	114027
36 in x 36 in	1000	8.25	*	115131	45377	114027
36 in x 36 in	2000	8.25	*	115131	45377	114027
36 in x 36 in	5000	8.25	*	115131	45377	114027
38 in x 46 in	1000	8.25	*	115131	45377	114027
38 in x 46 in	2000	8.25	*	115131	45377	114027
38 in x 46 in	5000	8.25	*	115131	45377	114027
38 in x 46 in	10000	8.25	*	115131	45377	114027
48 in x 48 in	1000	8.25	*	115131	45377	114027
48 in x 48 in	2000	8.25	*	115131	45377	114027
48 in x 48 in	5000	8.25	*	115131	45377	114027
48 in x 48 in	7000	9.25	*	*	45377	114027
48 in x 48 in	10000	9.25	*	*	*	114027
48 in x 48 in	20000	13.25	*	*	*	*
48 in x 60 in	2000	8.25	*	*	45377	114027
48 in x 60 in	5000	8.25	*	*	45377	114027
48 in x 60 in	10000	9.25	*	*	45377	114027
48 in x 60 in	20000	13.25	*	*	*	*
48 in x 72 in	2000	8.25	*	*	45377	114027
48 in x 72 in	5000	9.25	*	*	45377	114027
48 in x 72 in	10000	9.25	*	*	45377	114027
48 in x 72 in	20000	13.25	*	*	*	*
60 in x 60 in	2000	8.25	*	*	45377	114027
60 in x 60 in	5000	8.25	*	*	45377	114027
60 in x 60 in	10000	9.25	*	*	45377	114027
60 in x 60 in	20000	13.25	*	*	*	*
60 in x 72 in	5000	10.25	*	*	*	*
60 in x 72 in	10000	10.25	*	*	*	*
60 in x 72 in	20000	13.25	*	*	*	*
60 in x 84 in	5000	10.25	*	*	*	*
60 in x 84 in	10000	13.25	*	*	*	*
60 in x 84 in	20000	13.25	*	*	*	*
72 in x 72 in	20000	*	*	*	*	*
72 in x 96 in	5000	13.25	*	*	*	*
72 in x 96 in	10000	13.25	*	*	*	*
72 in x 96 in	20000	15.25	*	*	*	*
84 in x 108 in	5000	*	*	*	*	*
84 in x 108 in	10000	15.25	*	*	*	*
84 in x 108 in	20000	15.25	*	*	*	*
96 in x 120 in	10000	15.25	*	*	*	*
96 in x 120 in	20000	17.50	*	*	*	*
96 in x 120 in	30000	19.50	*	*	*	*

* - Consult factory

1a - Consists of two check link angles and necessary mounting hardware.

2b - Consists of replacement flexures for the entire scale and ten shims in assorted thicknesses.

3c - Consists of ten assorted thicknesses of shims.

** - Quantity of eight of these are required per scale instead of four.

FLOOR SCALES
RoughDeck® FXB-SS
 Stainless Steel Parts Kit and Hardware



Floor Scales

Part Number/Price

Part #	Description	Price
Fulcrum Flexure		
113482	Flexure plate, 3 in x 3.25 in x .020 in	Consult
113483	Flexure plate, 3 in x 3.25 in x .032 in	Consult
114081	Flexure plate, 4 in x 6 in x .062 in	Consult
114082	Flexure plate, 3 in x 3.75 in x .032 in	Consult
Load Flexure		
113482	Flexure plate, 3 in x 3.25 in x .020 in	Consult
114079	Flexure plate, 3 in x 4.75 in x .032 in	Consult
114080	Flexure plate, 4 in x 7 in x .062 in	Consult
Center Flexure		
114079	Flexure plate, 3 in x 4.75 in x .032 in	Consult
114083	Flexure plate, 2.5 in x 3 in x .032 in	Consult
114084	Flexure plate, 2.5 in x 3 in x .020 in	Consult
Pull Cable/Wire Rope		
33084	Wire rope, 1/2 - 20 NF x 1/2 - 20 NF x 3 - 5/8 Long SST jam nuts included	Consult
115292	Wire rope, 1/4 - 28 NF x 1/4 - 28 NF x 3L 350 lb RLWS FB stainless steel jam nut included	Consult
Load Cell		
46503	Load cell, SBM RL20000SS- 250 lb 20 ft 3 mV/V 350 OHM WW SST NTEP III L 10S IP67	Consult
46504	Load cell, SBM RL20000SS- 500 lb 20 ft 3 mV/V 350 OHM WW SST NTEP III L 10S IP67	Consult
46505	Load cell, SBM RL20000SS- 750 lb 20 ft 3 mV/V 350 OHM WW SST NTEP III L 10S IP67	Consult
46506	Load cell, SBM RL20000SS- 1 k 1000 lb 20 ft 3 mV/V 350 OHM WW SST NTEP III L 10S IP67	Consult
46507	Load cell, SBM RL20000SS- 2.5 k 2500 lb 20 ft 3 mV/V 350 OHM WW SST NTEP III L 10S IP67	Consult
46508	Load cell, SBM RL20000SS- 3 k 3000 lb 20 ft 3 mV/V 350 OHM WW SST NTEP III L 10S IP67	Consult
46509	Load cell, SBM RL20000SS- 5 k 5000 lb 20 ft 3 mV/V 350 OHM WW SST NTEP III L 10S IP67	Consult
72743	Load cell, SBM RL20000ST 200 lb 20 ft 3 mV/V 350 OHM WW SST NTEP III L 10S FM IP67	Consult
72745	Load cell, SBM RL20000ST 300 lb 20 ft 3 mV/V 350 OHM WW SST NTEP III L 10S FM IP67	Consult
72749	Load cell, SBM RL20000ST 1,500 lb 20 ft 3 mV/V 350 OHM WW SST NTEP III L 10S FM IP67	Consult
72750	Load cell, SBM RL20000ST 2,000 lb 20 ft 3 mV/V 350 OHM WW SST NTEP III L 10S FM IP67	Consult
Load Cell Spacer		
115483	Spacer, load cell 1 in x 2 in x .60 in	Consult
115484	Spacer, load cell 1 in x 2 in x .10 in	Consult
Flexure/Shim Kit		
115131	Flexure kit, 48 in x 48 in 1 k - 5 k	Consult
Shim Kit		
45377	Shim kit, 3 in for FXB 5 k capacity and below (10 assorted shims)	Consult
Hardware Kit		
114027	Kit, hardware FXB 8.50 in profile	Consult