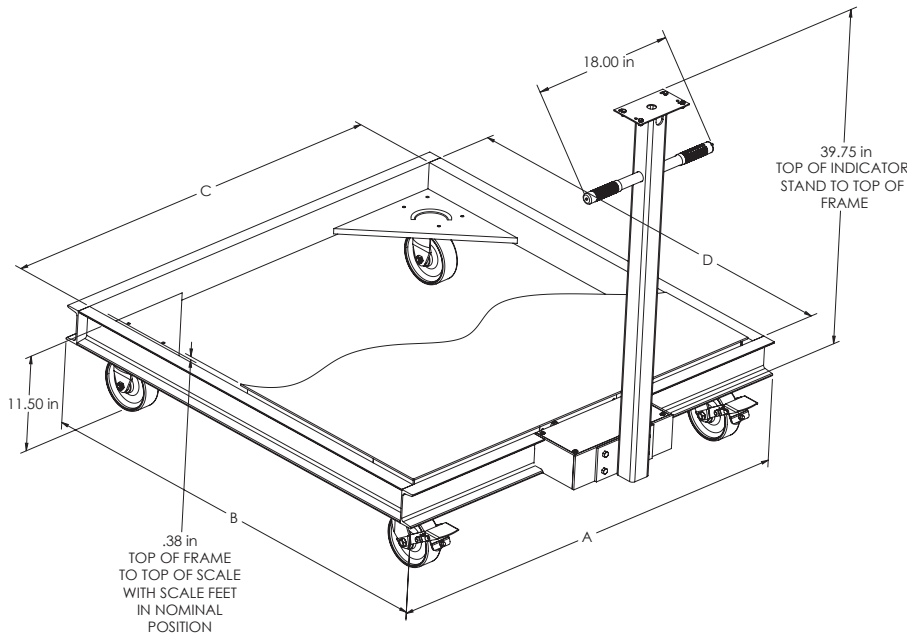


# RoughDeck® HP

Caster Portability Frames

FLOOR SCALES



## Standard Features

- Painted mild steel
- Indicator stand fits 480 Legend weight indicators
- Two rigid forged steel casters, two swivel forged steel caster with lock on back
- Casters for scales 1,000 to 5,000 lb are rated for 4,000 lb each

## Part Number/Price

Part #	Size (W × L × H)	Est. Weight	Price
<b>RoughDeck HP Caster Portability Frames</b>			
157785	2.5 × 2.5 ft, for RoughDeck HP 1,000 to 5,000 lb	220 lb	Consult
157791	3 × 3 ft, for RoughDeck HP 1,000 to 5,000 lb	240 lb	Consult
157792	4 × 4 ft, for RoughDeck HP 1,000 to 5,000 lb	260 lb	Consult
157793	4 × 4 ft, for RoughDeck HP 10,000 lb	260 lb	Consult
<b>RoughDeck HP Caster Portability Frame with Conductive Wheels for use with 882IS</b>			
199096	2.5 × 2.5 ft, for RoughDeck HP 1,000 to 5,000 lb	220 lb	Consult
199097	3 × 3 ft, for RoughDeck HP 1,000 to 5,000 lb	240 lb	Consult
199098	4 × 4 ft, for RoughDeck HP 1,000 to 5,000 lb	260 lb	Consult

NOTE: Indicator stand mount bracket works with 120/120 Plus, 882IS/882IS Plus, 882IS/882IS Plus w/battery, 880/880 Plus, 480/480 Plus, 482/482 Plus, 680 Synergy

## Dimensions

Caster Portability Frame	
<b>2.5 × 2.5 ft (1,000 to 5,000 lb)</b>	
A	33.92
B	33.92
C	30.75
D	30.75
<b>3 × 3 ft (1,000 to 5,000 lb)</b>	
A	39.92
B	39.92
C	36.75
D	36.75
<b>4 × 4 ft (1,000 to 5,000 lb)</b>	
A	51.92
B	51.92
C	48.75
D	48.75
<b>4 × 4 ft (10,000 lb)</b>	
A	51.92
B	51.92
C	48.75
D	48.75

Note: 1 in=25.4 mm