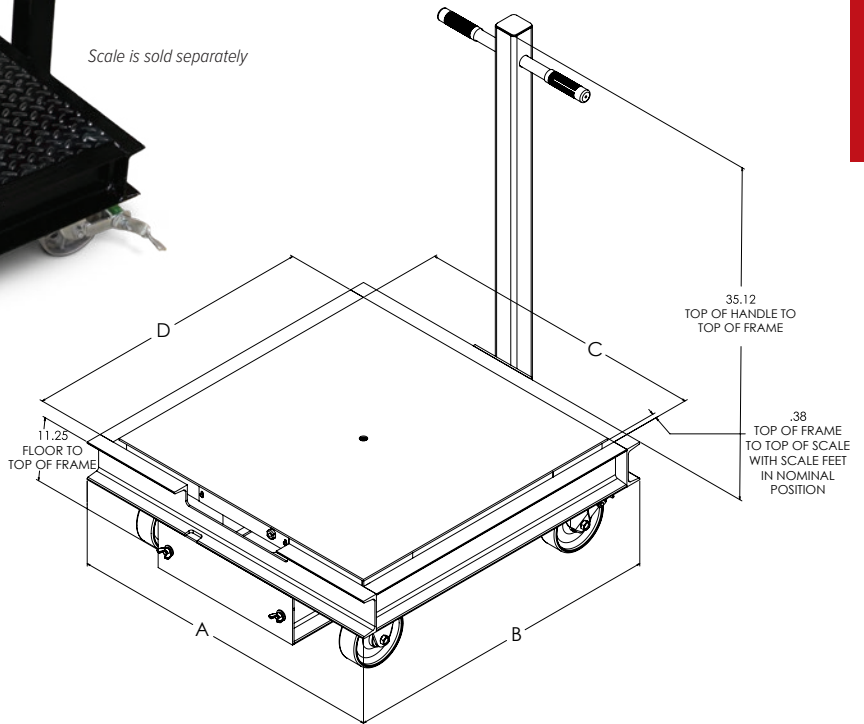




Scale is sold separately



FLOOR SCALES

Standard Features

- Wireless connection from scale to operator display
- Works with any basic digital weight indicator
- Excitation to the load cell(s) provided by the transmitter, not the indicator
- Each transmitter/receiver set is individually paired and will not interfere with another set
- Transmitter excitation voltage: +4.8 VDC, 16 × 350 ohm or 32 × 700 ohm load cells

Part Number/Price

| Part # | Size (W × L) | Est. Weight | Price |
|--|--|-------------|---------|
| Roughdeck HP Caster Portability Frame | | | |
| 210902 | 2.5 × 2.5 ft, up to 5,000 lb capacity, two rigid forged steel caster on front, two swivel forged steel caster on back with drawer for SENDit, frame only | 315 lb | Consult |
| 210903 | 3 × 3 ft, up to 5,000 lb capacity, two rigid forged steel caster on front, two swivel forged steel caster on back with drawer for SENDit, frame only | 330 lb | Consult |
| 210904 | 4 × 4 ft, up to 5,000 lb capacity, two rigid forged steel caster on front, two swivel forged steel caster on back with drawer for SENDit, frame only | 355 lb | Consult |
| 210905 | 4 × 4 ft, up to 10,000 lb capacity, two rigid forged steel caster on front, two swivel forged steel caster on back with drawer for SENDit, frame only | 355 lb | Consult |
| SENDit Wireless Electronics Kit | | | |
| 210898 | SENDit wireless load cell interface kit, non-NTEP, indicator not included (customer to supply) | - | Consult |

Options/Accessories

| Part # | Description | Price |
|--------|-----------------|---------|
| 162173 | Battery, 6V SLA | Consult |

Dimensions

| Scale Size | 2.5 x 2.5 ft | 3 x 3 ft | 4 x 4 ft |
|------------|--------------|----------|----------|
| A | 33.92 in | 39.92 in | 51.92 in |
| B | 33.92 in | 39.92 in | 51.92 in |
| C | 30.75 in | 36.75 in | 48.75 in |
| D | 30.75 in | 36.75 in | 48.75 in |

Note: 1 in=25.4 mm