

RoughDeck® HP

Forklift SENDit Portability Frames, NTEP

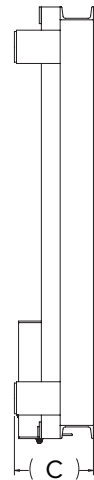
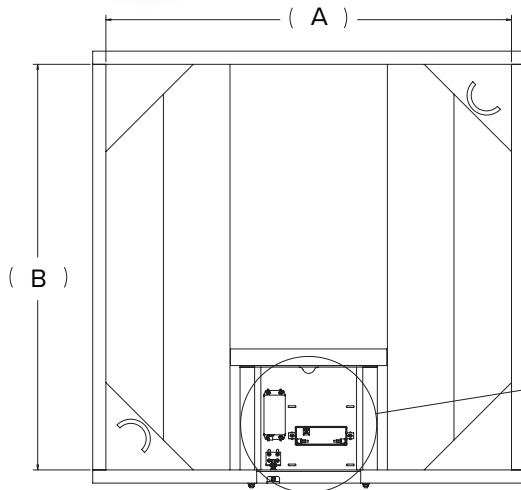


Standard Features

- Wireless connection from scale to operator display
- Excitation to the load cell(s) provided by the transmitter, not the indicator
- Each transmitter/receiver set is individually paired and will not interfere with another set
- Transmitter excitation voltage: +4.8 VDC, 16 × 350 ohm or 32 × 700 ohm load cells
- Estimated battery life of 100 hours
- Two set points with red/green display for operator verification
- Optional audible alarm

FLOOR SCALES

Scale is sold separately



Approvals



Part Number/Price

| Part # | Size (W × L) | Est. Weight | Price |
|--|--|-------------|---------|
| Roughdeck HP Portability Frame | | | |
| 210900 | Roughdeck HP 4 × 4 ft, up to 10,000 lb capacity, frame only | 350 lb | Consult |
| 210901 | Roughdeck HP 5 × 5 ft, up to 10,000 lb capacity, frame only | 395 lb | Consult |
| SENDit Wireless Electronics Kit | | | |
| 210899 | Sendit wireless load cell interface kit, NTEP, Includes one 8004HD display | - | Consult |

Options/Accessories

| Part # | Description | Price |
|--------|-----------------|---------|
| 162173 | Battery, 6V SLA | Consult |
| 74574 | Foot | Consult |

Dimensions

| Scale Size | 4 × 4 ft | 5 × 5 ft |
|------------|----------|----------|
| A | 48.75 in | 60.75 in |
| B | 48.75 in | 60.75 in |
| C | 9.50 in | 9.50 in |

Note: 1 in=25.4 mm