

# RoughDeck® QC

Quick Clean Stainless Steel Lift Floor Scale



## Standard Features

- Rugged washdown design
- Smooth, 304 stainless steel top deck
- Rigid 304 stainless steel tube frame
- Meets HACCP requirements
- Manual drop-in-place safety bar
- Four stainless steel, hermetically sealed, IP69K shear beam load cells
- 20 ft of SURVIVOR® EL147HE hostile environment load cell cable
- Remote junction box can be mounted up to 10 ft away from the scale
- 3/16 in thick smooth top plate
- 4 adjustable stainless steel SUREFOOT™ support feet

## Specifications

### End Load Capacity:

- 100% full scale at 2,000 lb and 5,000 lb
- 80% full scale at 10,000 lb

### Cable Length:

- 20 ft (6.1 m) for connecting junction box to indicator

### Scale Weldment:

- AISI304L, glass bead blasted for even appearance

### Junction Box:

- TuffSeal® JB4SS stainless steel, NEMA Type 4X junction box with signal trim card

### Welding:

- Stitch, consult if continuous is required

### Threaded Eyebolt Hole:

- 1/2-20 NF located in center of deck for easy lifting

### Warranty (limited):

- Weldment: Five-year
- Load cells: Two-year
- All other components: One-year

### Approvals:

- NTEP CC 92-001, Class III 5,000 d

## Approvals



Standard RoughDeck QC is not designed for fork truck traffic or point loading. Please consult factory for pricing on RoughDeck QC special if your application involves either.

## Part Number/Price

Part #	Size (W × L × H)	Capacity	Est. Weight	Price
50402	2.5 ft × 2.5 ft × 3.5 in	2,000 lb (1,000 kg)	158 lb	Consult
50403	3 ft × 3 ft × 3.5 in	2,000 lb (1,000 kg)	208 lb	Consult
50404	4 ft × 4 ft × 3.5 in	2,000 lb (1,000 kg)	338 lb	Consult
50405	4 ft × 4 ft × 3.5 in	5,000 lb (2,500 kg)	338 lb	Consult
50406	4 ft × 4 ft × 4.5 in	10,000 lb (5,000 kg)	447 lb	Consult
50407	4 ft × 5 ft × 3.5 in	2,000 lb (1,000 kg)	406 lb	Consult
50408	4 ft × 5 ft × 4.5 in	5,000 lb (2,500 kg)	406 lb	Consult
50409	4 ft × 5 ft × 4.5 in	10,000 lb (5,000 kg)	540 lb	Consult
50410	4 ft × 6 ft × 4.5 in	2,000 lb (1,000 kg)	477 lb	Consult
50411	4 ft × 6 ft × 4.5 in	5,000 lb (2,500 kg)	477 lb	Consult
50412	4 ft × 6 ft × 5.5 in	10,000 lb (5,000 kg)	637 lb	Consult
50413	5 ft × 5 ft × 4.5 in	2,000 lb (1,000 kg)	478 lb	Consult
50414	5 ft × 5 ft × 4.5 in	5,000 lb (2,500 kg)	478 lb	Consult
50415	5 ft × 5 ft × 4.5 in	10,000 lb (5,000 kg)	637 lb	Consult
50416	5 ft × 7 ft × 5.5 in	2,000 lb (1,000 kg)	705 lb	Consult
50417	5 ft × 7 ft × 5.5 in	5,000 lb (2,500 kg)	705 lb	Consult
50418	5 ft × 7 ft × 5.5 in	10,000 lb (5,000 kg)	908 lb	Consult

## Options/Accessories

Part #	Description	Price
28740	Floor stand for indicator, 36.3 in high, stainless steel	Consult
Consult	RoughDeck QC ramps available	See catalog page 381
Consult	RoughDeck QC pit frames available	See catalog page 381
Consult	Stainless steel diamond treadplate safety deck	Consult
18778	Floor anchor plates, stainless steel (set of two)	Consult

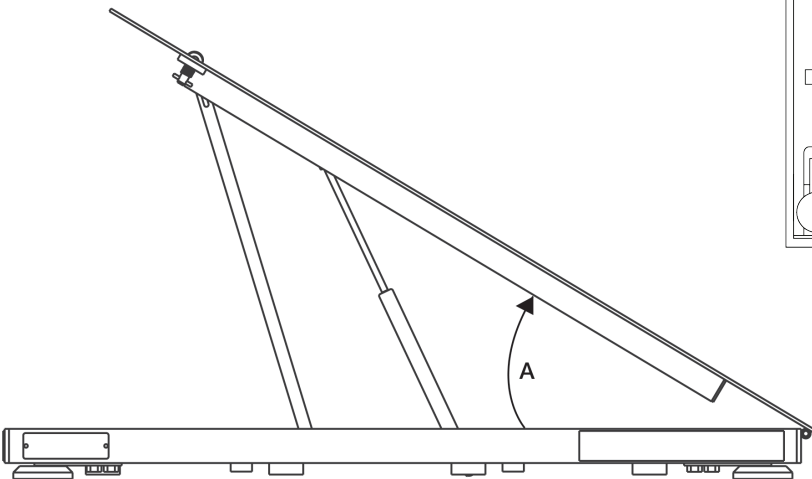
**Part Number/Price**

Part #	Size (W × L × H)	Ramp Angle of Incline	Est. Weight	Price
<b>Access Ramps (Diamond Treadplate Standard) (W × L × H)</b>				
69193	2.5 ft × 4.0 ft × 3.5 in (works with PN 50402)	4.0°	152 lb	Consult
69194	3.0 ft × 4.0 ft × 3.5 in (works with PN 50403)	4.0°	177 lb	Consult
69195	4.0 ft × 4.0 ft × 3.5 in (works with PN 50404, 50405 and 50407)	4.0°	224 lb	Consult
69217	4.0 ft × 4.0 ft × 4.5 in (works with PN 50406, 50408, 50410 and 50411)	5.2°	234 lb	Consult
69218	4.0 ft × 4.0 ft × 4.5 in (works with PN 50409)	5.2°	234 lb	Consult
69222	4.0 ft × 5.0 ft × 5.5 in (works with PN 50412)	5.1°	330 lb	Consult
69219	5.0 ft × 4.0 ft × 4.5 in (works with PN 50413 and 50414)	5.2°	272 lb	Consult
69220	5.0 ft × 4.0 ft × 4.5 in (works with PN 50415)	5.2°	272 lb	Consult
69223	5.0 ft × 5.0 ft × 5.5 in (works with PN 50416, 50417 and 50418)	5.1°	380 lb	Consult
<b>Pit Frames (W × L × H)</b>				
64768	2.5 ft × 2.5 ft × 4 in (works with PN 50402)	-	89 lb	Consult
64769	3.0 ft × 3.0 ft × 4 in (works with PN 50403)	-	102 lb	Consult
64770	4.0 ft × 4.0 ft × 4 in (works with PN 50404 and 50405)	-	127 lb	Consult
64771	4.0 ft × 4.0 ft × 5 in (works with PN 50406)	-	158 lb	Consult
64772	4.0 ft × 5.0 ft × 4 in (works with PN 50407)	-	140 lb	Consult
64773	4.0 ft × 5.0 ft × 5 in (works with PN 50408)	-	175 lb	Consult
64774	4.0 ft × 5.0 ft × 5 in (works with PN 50409)	-	175 lb	Consult
64775	4.0 ft × 6.0 ft × 5 in (works with PN 50410 and 50411)	-	191 lb	Consult
64776	4.0 ft × 6.0 ft × 6 in (works with PN 50412)	-	225 lb	Consult
64777	5.0 ft × 5.0 ft × 5 in (works with PN 50413 and 50414)	-	191 lb	Consult
64778	5.0 ft × 5.0 ft × 5 in (works with PN 50415)	-	191 lb	Consult
64779	5.0 ft × 7.0 ft × 6 in (works with PN 50416, 50417 and 50418)	-	270 lb	Consult

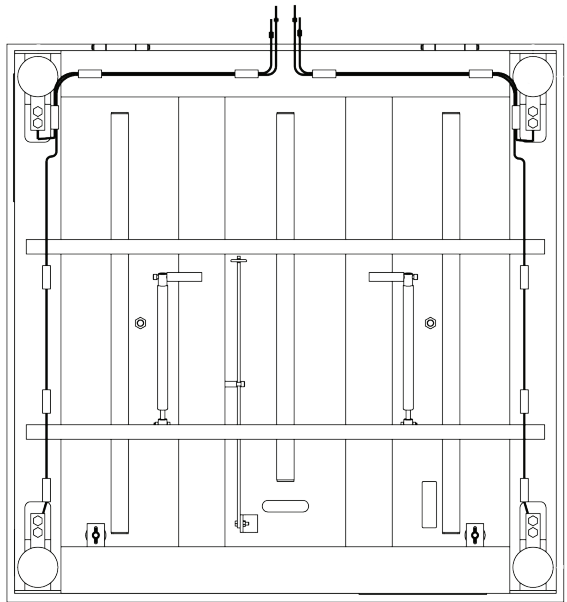
Part numbered ramps are designed to fit scale sides A or C; if you need a ramp to fit scale side B or D, please request a quote for a special ramp

**Dimensions**

Scale Size	A
2.5 × 2.5 ft	37°
3 × 3 ft	30°
4 × 4 ft	30°
4 × 5 ft	30°
4 × 6 ft	26°
5 × 5 ft	25°
5 × 7 ft	24°



(Upright position)



Underdeck View

# RoughDeck® QC

Access Ramps and Pit Frames

FLOOR SCALES

