

# RoughDeck® QC Quick Clean

Stainless Steel

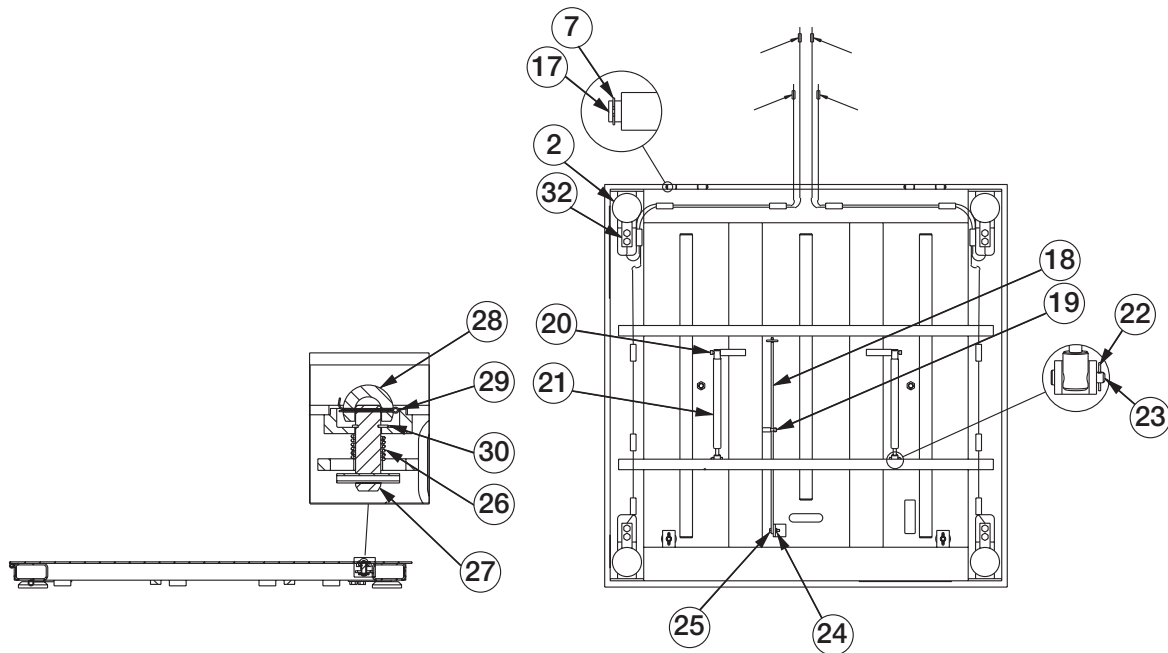
## Part Number/Price

Ref#	Part#	Description	Price
	<b>88956</b>	RoughDeck 4-channel junction box	Consult
2	<b>18756</b>	Foot assembly	Consult
7	<b>47714</b>	Retaining ring, 5/16 in shaft	Consult
17	<b>47715</b>	Hinge pin, 5/16 in diameter	Consult
18	<b>47718</b>	Safety latch	Consult
19	<b>14994</b>	Cap screw, 5/16-24 NF x 1	Consult
20	<b>47711</b>	Cap screw, 5/16-18 NC x 1 3/4	Consult
21	<b>47690</b>	Gas spring, 20 in extended, 4 ft x 4 ft and larger	Consult
21	<b>53378</b>	Gas spring, 14.75 in extended, 3 ft x 3 ft and smaller	Consult
22	<b>15233</b>	Cotter pin, 1/8 in x 3/4 in	Consult
23	<b>47712</b>	Clevis pin, 5/16 in x 1 1/2 in	Consult
24	<b>14634</b>	Lock nut, 1/4-20 NC hex	Consult
25	<b>35088</b>	Cap screw, 1/4-20 NC x 1 hex	Consult
26	<b>40044</b>	Blank trigger spring	Consult
27	<b>48682</b>	Corner lock sub-assembly	Consult
28	<b>47691</b>	Corner lock knob, SST	Consult
29	<b>52517</b>	Cotter pin, 1/16 in x 1 in	Consult
30	<b>47713</b>	Retaining ring, 1/2 in shaft	Consult
32	<b>106039</b>	RLH35 - load cell, 1,000 lb (2,000 lb scale)	Consult
32	<b>106040</b>	RLH35 - load cell, 2,500 lb (5,000 lb scale)	Consult
32	<b>106041</b>	RLH35 - load cell, 4,000 lb (10,000 lb scale)	Consult
	<b>15611</b>	Cable, EL147HE 20 ft	Consult



Floor Scales

(See Diagram RoughDeck QC-A)



RoughDeck QC-A