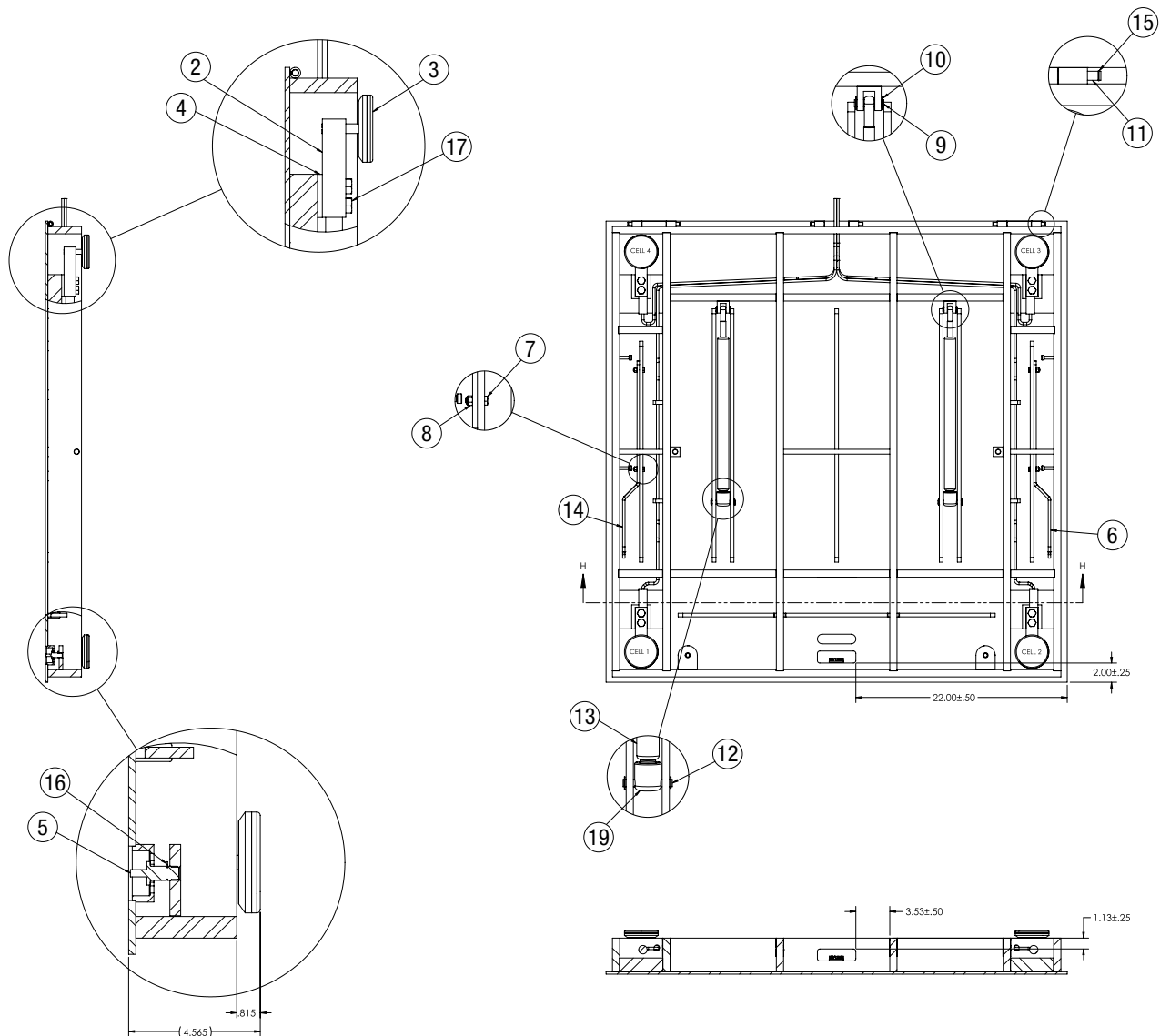


FLOOR SCALES  
**RoughDeck® QC-X**  
 4 x 4 Scale

**Part Number/Price**

Ref#	Part#	Description	Price
2	173856	Load cell, SEB RL35023-N5-2.5 K, 5 K scale	Consult
2	173857	Load cell, SEB RL35082-4 K, 10K scale	Consult
3	18756	Foot	Consult
4	18411	Shim plate	Consult
5	175972	Corner lock knob	Consult
6	176519	Safety bar left	Consult
7	35088	Screw, cap 1/4-20NC x 1 hex	Consult
8	14634	Nut, lock 1/4-20NC hex sst	Consult
9	175899	Pin: Hinge: 3/8 in dia x 1.53 in long: sst	Consult
10	175897	Retaining ring	Consult
11	47715	Pin: Hinge: 5/16 in dia x 5 in long: sst	Consult
12	175900	Pin: Hinge: 3/8 in dia x 2.56 in long: sst	Consult
13	176545	Gas spring	Consult
14	176520	Safety bar right	Consult
15	47714	Ring, retaining 5/16 shaft	Consult
16	47713	Ring, retaining 1/2 in shaft	Consult
17	176339	Screw, cap 1/2-20NF x 2-1/4	Consult
19	176164	Large end fitting	Consult



Floor Scales

FLOOR SCALES

# RoughDeck® QC-X

5 x 5 Scale



## Part Number/Price

Ref#	Part#	Description	Price
2	18756	Foot	Consult
4	175974	Safety bar left	Consult
5	175975	Safety bar right	Consult
6	14634	Nut, lock 1/4-20NC hex sst	Consult
7	35088	Screw, cap 1/4-20 NC x 1 hex	Consult
8	175900	Pin: Hinge: 3/8 in dia x 2.56 in long: sst	Consult
9	175899	Pin: Hinge: 3/8 in dia x 1.53 in long: sst	Consult
10	175897	Retaining ring	Consult
11	176162	Gas spring	Consult
12	176164	Large end fitting	Consult
13	173856	Load cell, SEB RL35023-N5-2.5 K, 5 K scale	Consult
13	173857	Load cell, SEB RL35082-4 K, 10 K scale	Consult
14	176339	Screw, cap 1/2-20 NF x 2-1/4	Consult
15	175972	Corner lock knob	Consult
16	47713	Ring, retaining 1/2 in shaft	Consult
17	176163	Gas spring	Consult
18	47715	Pin: Hinge: 5/16 in dia x 5 in long: sst	Consult
19	47714	Ring, retaining 5/16 shaft	Consult
20	18411	Shim plate	Consult

Floor Scales

