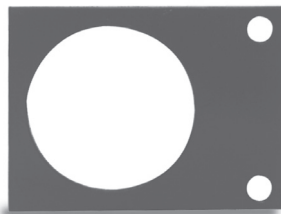


RoughDeck® Scale Base



Part Number/Price

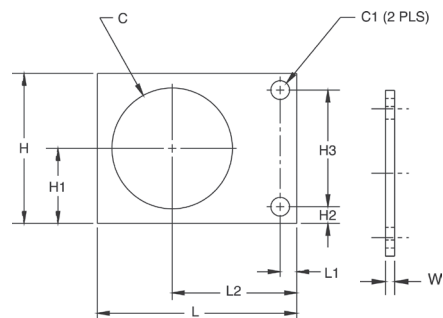
Part #	Description	Price
19075	Mild steel, 1,000 to 10,000 lb	Consult
19076	Stainless steel, 1,000 to 10,000 lb	Consult

Dimensions

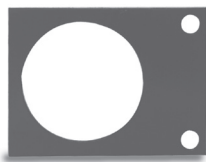
Part #	C	C1	H	H1	H2	H3	L	L1	L2	W
19075	3.62 in	0.56 in	4.50 in	2.25 in	0.50 in	3.50 in	6.00 in	0.50 in	3.75 in	0.25 in
19076	3.62 in	0.56 in	4.50 in	2.25 in	0.50 in	3.50 in	6.00 in	0.50 in	3.75 in	0.25 in

Standard Features

- Secures RoughDeck and other popular floor scales
- Prevents movement in horizontal plane
- Useful with SureFoot™ and other load cell foot assemblies
- Available in stainless steel and mild steel



Summit® 3000 Scale Base



Part Number/Price

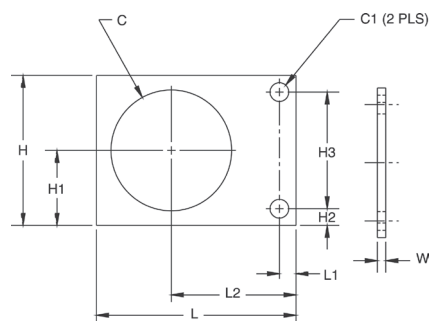
Part #	Description	Price
76149	Mild steel, 2,000 to 10,000 lb	Consult

Dimensions

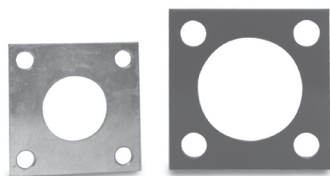
Part #	C	C1	H	H1	H2	H3	L	L1	L2	W
76149	3.19 in	0.56 in	4.50 in	2.25 in	0.50 in	3.50 in	6.00 in	0.50 in	3.75 in	0.25 in

Standard Features

- Mounting plate for Summit 3000 floor scales



Floor Scale Base



Part Number/Price

Part #	Description	Price
18737	Mild steel, 1,000 to 10,000 lb	Consult
18738	Mild steel, 10,000 to 20,000 lb	Consult
18751	Stainless steel, 1,000 to 10,000 lb	Consult

Dimensions

Part #	C	C1	H	H1	H2	H3	L	L1	L2	L3	W
18737	2.00 in	0.53 in	4.00 in	2.00 in	0.50 in	3.00 in	4.00 in	2.00 in	0.50 in	3.00 in	0.25 in
18738	3.25 in	0.81 in	5.00 in	2.50 in	0.75 in	3.50 in	5.00 in	2.50 in	0.75 in	3.50 in	0.38 in
18751	2.00 in	0.53 in	4.00 in	2.00 in	0.50 in	3.00 in	4.00 in	2.00 in	0.50 in	3.00 in	0.25 in

Standard Features

- Suitable for use with leveling pads
- Generic mounting plate for popular floor scales
- Fits most floor scale foot assemblies
- Available in stainless steel and mild steel (mild steel parts are zinc plated/painted)

