

RoughDeck® SLV

Single Animal Livestock Scale

LIVESTOCK SCALES



Approvals



Standard Features

- Mild steel construction
- Rugged diamond safety treadplate deck
- Rigid structural steel channel frame
- NEMA Type 4X stainless steel side-access junction box without quick connector
- Signal trim summing board
- Four adjustable stainless steel SUREFOOT™ support feet
- SURVIVOR® EL147HE hostile environment load cell cable
- Four alloy steel load cells

Specifications

Full Scale Capacity:

4,000 lb, 1 lb increments

End Load Capacity:

125% full scale

Cable Length:

20 ft (6 m)

Warranty:

Two-year limited (scale only)

Approvals:

NTEP 92-001 Class III 4,000d

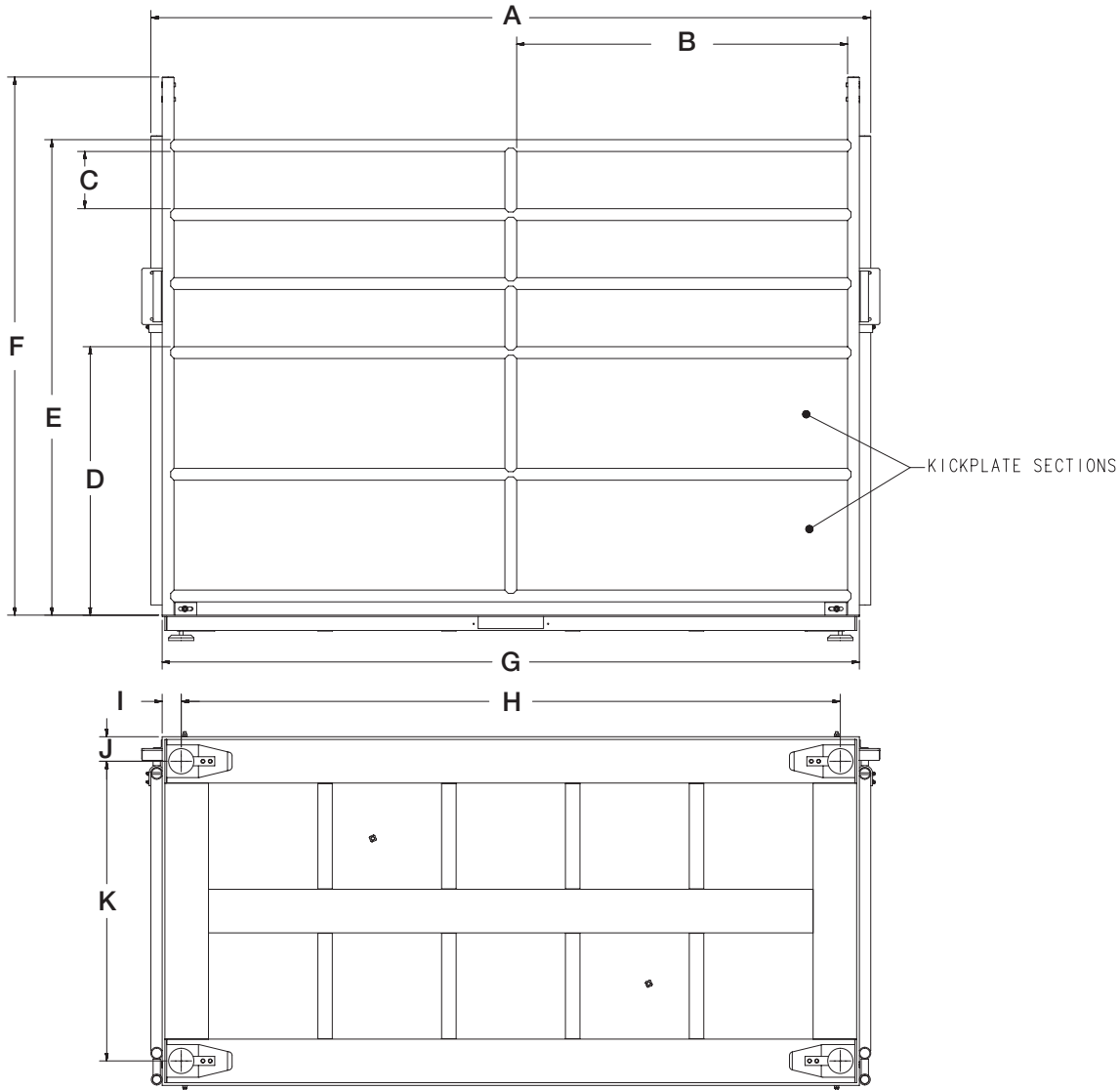
Capacity not to exceed 4,000 lb x 1 lb and platform size not to exceed 32 sq ft

Part Number/Price

| Part # | Capacity | Outside Dimensions | Est. Weight | Price |
|--|---|--------------------|-------------|---------|
| 103617 | 4,000 lb, 20 ft without Quick Connect, modified to fit gate and rack (scale platform only) | 8 × 3 ft | 565 lb | Consult |
| 78452 | 4,000 lb, 20 ft without Quick Connect (gate and rack not included) (scale platform only) | 8 × 3 ft | 565 lb | Consult |
| 103619 | 4,000 lb, 20 ft without Quick Connect, modified to fit gate and rack (scale platform only) | 8 × 4 ft | 750 lb | Consult |
| 78453 | 4,000 lb, 20 ft without Quick Connect (gate and rack not included) (scale platform only) | 8 × 4 ft | 750 lb | Consult |
| RoughDeck SLV 4,000 lb Bundle Package (Ships Assembled) | | | | |
| 226205 | Scale Pkg, 3 × 8 ft scale, 4,000 lb capacity with racks, swing gates and kick plates, 380 Synergy indicator, factory calibrated prior to shipping with 1 lb increments | 8 × 3 ft | 1,200 lb | Consult |
| 226206 | Scale Pkg, 3 × 8 ft scale, 4,000 lb capacity with sliding gate, deck, racks, gates, and kick plates, 380 Synergy indicator, factory calibrated prior to shipping with 1 lb increments | 8 × 3 ft | 1,310 lb | Consult |
| 226207 | Scale Pkg, 4 × 8 ft scale, 4,000 lb capacity with racks, swing gates and kick plates, 380 Synergy indicator, calibrated prior to shipping with 1 lb increments | 8 × 4 ft | 1,500 lb | Consult |
| 226209 | Scale Pkg, 4 × 8 ft scale, 4,000 lb capacity with sliding gate, deck, racks, gates and kick plates, 380 Synergy factory calibrated prior to shipping with 1 lb increments | 8 × 4 ft | 1,610 lb | Consult |

Options/Accessories

| Part # | Description | Price |
|---------|--|---------|
| Consult | Smooth deck instead of diamond safety tread plate | N/C |
| Consult | Stainless steel load cells (RL32018S IP66) and hardware | Consult |
| Consult | Stainless steel hermetically sealed load cells (RL32218S-HE IP69K) and hardware | Consult |
| Consult | Angle iron bolted to scale for wood deck provisions (wood to be supplied by customer) | Consult |
| Consult | Rubber mat | Consult |
| 226036 | 380 universal segmented LCD display, battery powered, Synergy Series with 4-pin quick connect ag scale cable | Consult |
| 18777 | Floor anchor plates, mild steel (set of 2) | Consult |
| 18778 | Floor anchor plates, stainless steel (set of 2) | Consult |



| Dimensions | | | |
|-----------------|----------|---|----------|
| 3 × 8 ft | | | |
| A | 99.12 in | I | 2.63 in |
| B | 45.56 in | J | 3.38 in |
| C | 7.88 in | K | 29.25 in |
| D | 36.95 in | L | 36.00 in |
| E | 65.45 in | M | 32.75 in |
| F | 74.00 in | N | 3.50 in |
| G | 95.00 in | O | 77.58 in |
| H | 90.75 in | | |
| 4 × 8 ft | | | |
| A | 99.12 in | I | 2.63 in |
| B | 45.56 in | J | 3.38 in |
| C | 7.88 in | K | 41.25 in |
| D | 36.95 in | L | 48.00 in |
| E | 65.45 in | M | 44.75 in |
| F | 74.00 in | N | 3.50 in |
| G | 95.00 in | O | 77.58 in |
| H | 90.75 in | | |

