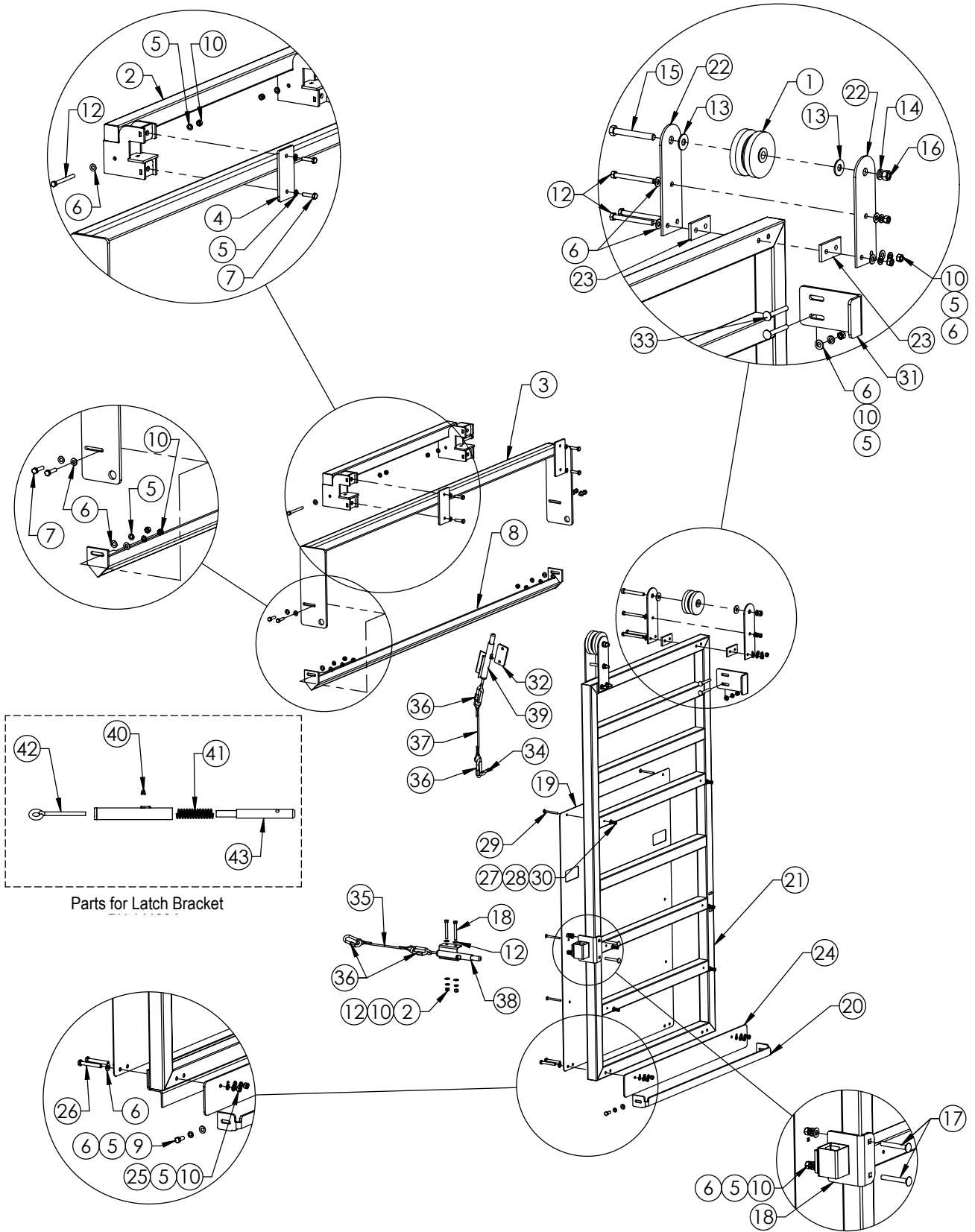


LIVESTOCK
REPLACEMENT PARTS



Parts for Latch Bracket



Part Number/Price

Item #	Part #	Description
1	107443	Track roller wheel
2	171430	Sliding gate, overhead
3	169182	Gate slide weldment
4	169198	Gate slide face plate
5	15159	Washer, lock 3/8 regular helical spring steel zinc plated
6	21938	Narrow FW 0.375-STL ZP
7	14745	HHCS 3/8-16 x 1.5 in
8	170936	Gate slide tube weldment
9	15019	Hex bolt 0.3750-16 x 1 x 1-N-ZN
10	14656	Nut, 3/8-16NC hex steel zinc
12	161570	Bolt 3/8-16 x 3 1/2-N-STL ZP
13	126976	Wide FW 0.5-STL ZP
14	15167	Washer, lock 1/2 regular helical spring steel zinc plated
15	14765	Bolt, 1/2-13NC x 4 hex head grade 5 zinc plated
16	14672	Nut, 1/2-13NC hex steel clear zinc
17	163466	Carriage bolt 3/8-16NC x 2.75 in
18	172270	Bolt on grip and strike assembly
19	172458	Swing gate panel SAS
20	172744	Sliding gate guide
21	171573	Sliding gate weldment SAS 3 ft
22	171607	Wheel plate
23	172972	0.250 in spacer plate
24	172746	Sliding gate guide plate
25	15159	Lock washer, 3/8 in
26	127013	Bolt 0.375-16 x 3 x 1-N
27	81427	Wide FW 0.25-STL ZP
28	15147	Washer, lock 1/4 regular helical spring steel zinc plated
29	173644	Bolt, carriage 1/4-20 x 2.75 in
30	14641	Nut, 1/4-20 Hex ZN
31	172986	Bolt-on kick out stop
32	173025	Overhead latch mount spacer
33	14748	Bolt 0.375-16 x 3 x 1-N-STL ZP
34	173140	Eye nut, 3/8-16 NC zinc plated, 500 lb vert cap.
35	173141	SAS latch pull cable
36	126976	Quick link, 5/16 in
37	173142	SAS latch pull cable
38	141394	Latch assembly
39	131784	Gate latch assembly
40	70339	Grease zerk
41	131702	Spring, compression
42	131700	Eye bolt, 5/16-18 x 3.5 in
43	131832	Latch pin, 3/4, upper
	141401	Latch pin lower

**LIVESTOCK
REPLACEMENT PARTS**