

MEDICAL SCALES  
**Dialysis Scale**

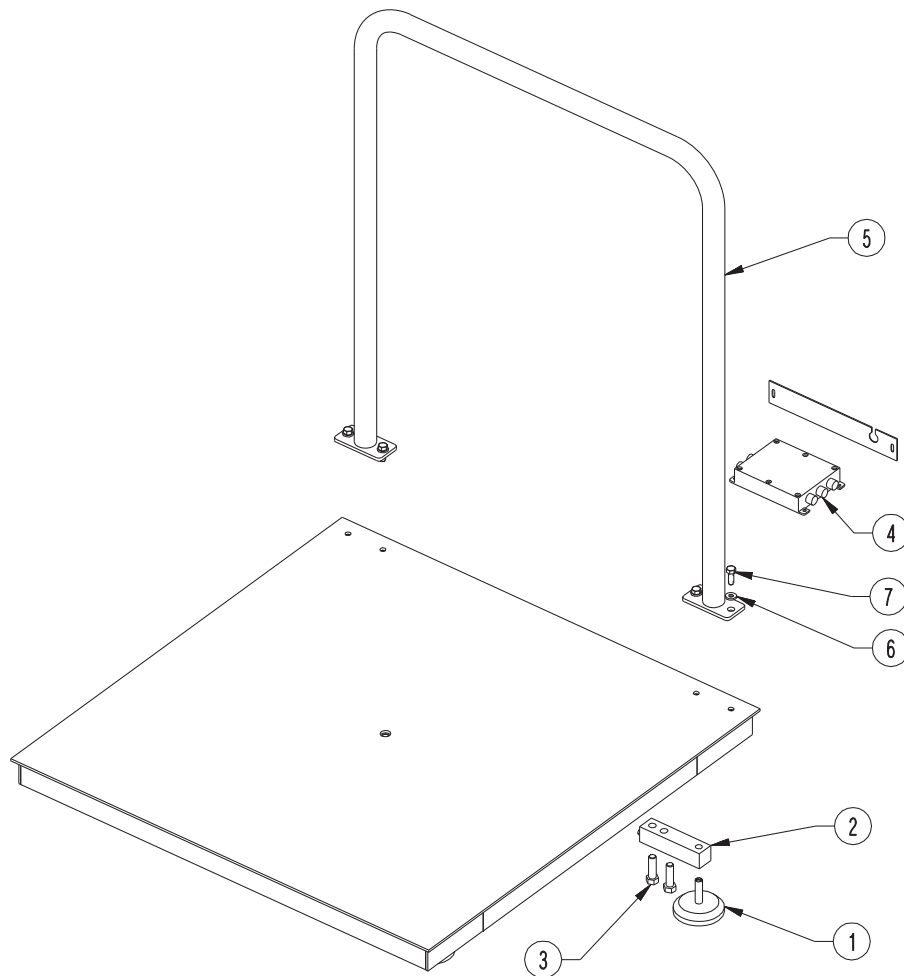
**Part Number/Price**

Ref#	Part#	Description	Price
1	18756	Foot	Consult
2	21507	Load cell	Consult
3	30532	Load cell bolts	Consult
4	73428	Junction box	Consult
5	107901	Handrail tube and base plate	Consult
6	107902	Washer	Consult
7	15019	Hex head screw	Consult
	106953	Cable, junction box to indicator	Consult
	100719	RS-232 serial cable	Consult

(See Diagram Dialysis-A)



Dialysis Scale  
 Model SD-1150-WP



Dialysis-A