

Picture is a representation of actual product

**Approvals**



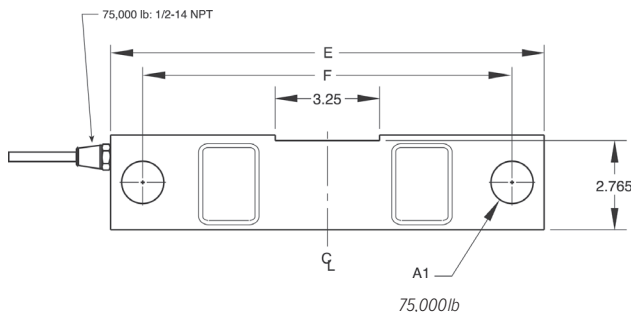
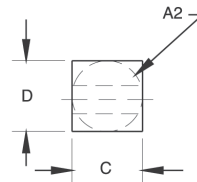
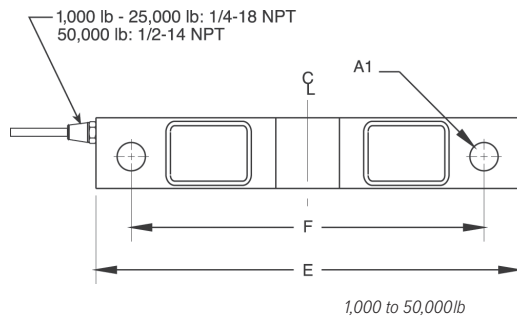
**Order Information**

Load Rating	Part #	Est. Weight	Price
1,000 lb	36295	4 lb	Consult
1,500 lb	36296	4 lb	Consult
2,000 lb	36297	4 lb	Consult
2,500 lb	36298	4 lb	Consult
5,000 lb	36299	4 lb	Consult
10,000 lb	36300	7 lb	Consult
15,000 lb	36301	7 lb	Consult
20,000 lb	36302	7 lb	Consult
25,000 lb	36303	7 lb	Consult
50,000 lb	36304	27 lb	Consult
75,000 lb*	36305	27 lb	Consult

\*75,000lb capacity has a square center

**Dimensions**

Rated Capacity	E	G	A1	A2	B	C	CONDUIT ADAPTER	F
lb/in								
1,000 to 5,000	0.50	1.25	1.25	1.25	7.50	6.25	1/4-18 NPT	1.12
10,000 to 25,000	0.81	1.99	1.44	1.94	8.75	7.50	1/4-18 NPT	1.62
50,000	1.31	3.00	2.44	2.94	13.50	11.50	1/2-14 NPT	3.75
75,000	1.31	—	2.44	2.94	13.50	11.50	1/2-14 NPT	3.75



**Interchangeable Products**

- RICE LAKE WEIGHING SYSTEMS  
**RL77032SS HE**..... page 132
- RICE LAKE WEIGHING SYSTEMS  
**RL75016WHE**..... page 137
- VPG® SENSORTRONICS®  
**65016WH**..... page 292

**Weigh Module Available**

- RICE LAKE WEIGHING SYSTEMS  
**RL1600 Series SS**.....page 73

**Specifications**

- Full Scale Output:**  
3.0 mV/V nominal
- Output Resistance:**  
699 to 707 ohm
- Input Resistance:**  
686 to 714 ohm
- Material/Finish:**  
Stainless steel
- Temperature:**  
Operating:  
0 °F to 150 °F (-18 °C to 65 °C)
- Seal Type:**  
Welded-seal, IP67
- Safe Overload:**  
150% full scale
- Safe Sideload:**  
100% full scale
- Rated Excitation:**  
5 to 10 VDC (15 V maximum)
- Nonlinearity:**  
0.03% full scale
- Hysteresis:**  
0.02% full scale
- Insulation Resistance:**  
5,000 megohm
- Cable Length:**  
25 ft
- Cable Diameter:**  
1,000 to 25,000 lb: 0.200 in  
50,000 to 75,000 lb: 0.305 in  
Polyurethane jacket
- Cable Color Code:**  
Red +Excitation  
Black -Excitation  
Green +Signal  
White -Signal
- Warranty:**  
One-year limited
- Approvals:**  
cFMus

VPG® SENSORTRONICS®