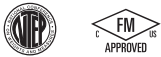




Picture is a representation of actual product

**Approvals**

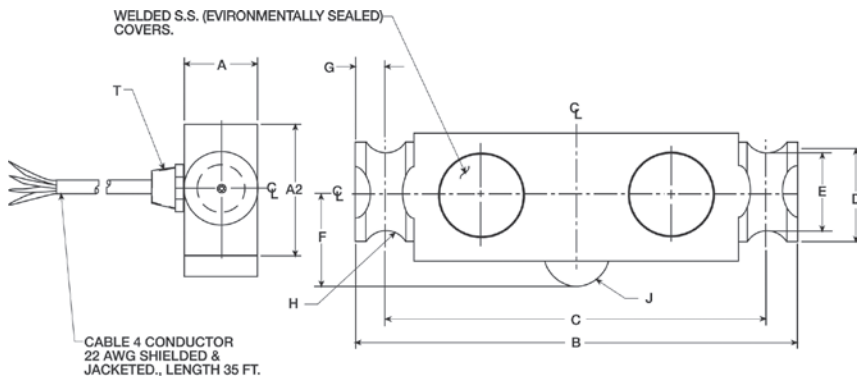


**Order Information**

Load Rating	Part #	Est. Weight	Price
25,000 lb	45467	15 lb	Consult
40,000 lb	45468	15 lb	Consult
50,000 lb	45469	25 lb	Consult
60,000 lb	45470	25 lb	Consult
75,000 lb	45471	25 lb	Consult

**Dimensions**

Rated Capacity	A	A2	B	C	D	E	F	G	H	J	T
lb/in											
25,000 to 40,000	1.94	2.44	8.25	7.25	2.00	1.63	1.75	0.50	0.50	0.50	1/4-18 NPT
50,000 to 75,000	1.94	2.94	11.50	10.00	2.20	1.70	2.00	0.75	0.75	1.00	1/4-18 NPT



**Interchangeable Products**

- RICE LAKE WEIGHING SYSTEMS
- RL75040** ..... page 155
- VPG® SENSORTRONICS®
- 65040A** ..... page 312

**Specifications**

**Full Scale Output:**  
3.0 mV/V

**Output Resistance:**  
699 to 707 ohm

**Input Resistance:**  
686 to 714 ohm

**Material/Finish:**  
Stainless steel

**Temperature:**  
Compensated range  
14 °F to 104 °F (-10 °C to 40 °C)  
Operating range  
0 °F to 150 °F (-18 °C to 65 °C)

**Seal Type:**  
Welded-seal, IP68

**Safe Overload:**  
150% full scale

**Safe Sideload:**  
100% full scale

**Rated Excitation:**  
5 to 10 VDC (15 V maximum)

**Combined Error:**  
0.02% full scale

**Insulation Resistance:**  
5,000 megohm

**Cable Length:**  
35 ft

**Cable Diameter:**  
25,000 lb: 0.200 in  
40,000 to 75,000 lb: 0.301 in  
Polyurethane jacket

**Cable Coloring:**  
Red +Excitation  
Black -Excitation  
Green +Signal  
White -Signal

**Warranty:**  
One-year limited

**Approvals:**  
cFMus  
NTEP

VPG SENSORTRONICS