

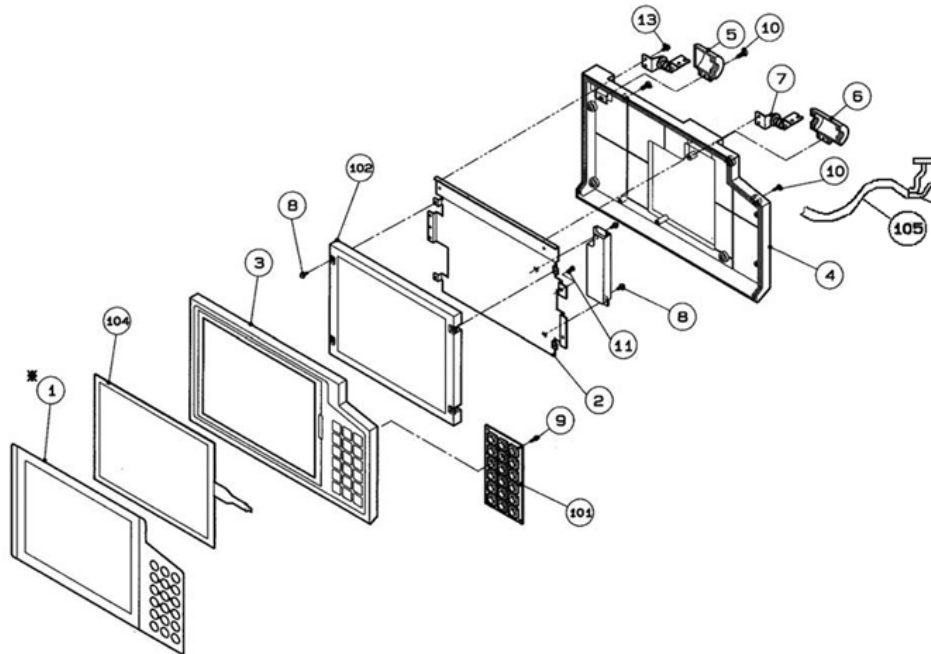


Part Number/Price

Ref#	Part#	Description	Price
1	87524	Sheet, keyboard, lb 103-4396-14	Consult
2	Consult	Bracket, display 101-7620-24	Consult
3	Consult	Case, controller, front 101-7647-15	Consult
4	Consult	Case, controller, rear 101-7650-17	Consult
5	Consult	Cap, controller, L 101-7652-14	Consult
6	120645	Cap, controller, R 101-7653-18	Consult
7	Consult	Hinge, torque 102-1009-14	Consult
8	48239	TP screw M3x6 00-0438-08	Consult
9	Consult	Tapping screw, cross pan head 38-6732-01	Consult
10	45519	Tapping screw, cross pan head 00-0353-05	Consult
11	Consult	Tapping screw, cross pan head 72-8766-07	Consult
13	120646	Cross head, hex bolt, with SW and PW 78-0612-01	Consult
14	Consult	Accessory, clamp code sticker 02-5711-08	Consult
15	Consult	Accessory, clamp code sticker 00-5450-01	Consult
101	87525	PWB, P-981-2, tactile keyboard, 100-8470-01	Consult
102	87526	Display, LCD, TFT 105-5117-01	Consult
104	87529	Touch panel, analog 91-8918-07	Consult
105	103026	Harness, display assembly	Consult

(Diagram SR-2000a-D)

Note: For complete assembly, see Main Unit item 11, page 170



SR-2000a-D

Parts not listed are no longer available. Some parts listed may not be available.

An ISO 9001 registered company ©2021 Rice Lake Weighing Systems 09/21 Prices and specifications subject to change without notice. Visit ricelake.com for current prices.