

SR-2000a

Main Unit



Part Number/Price

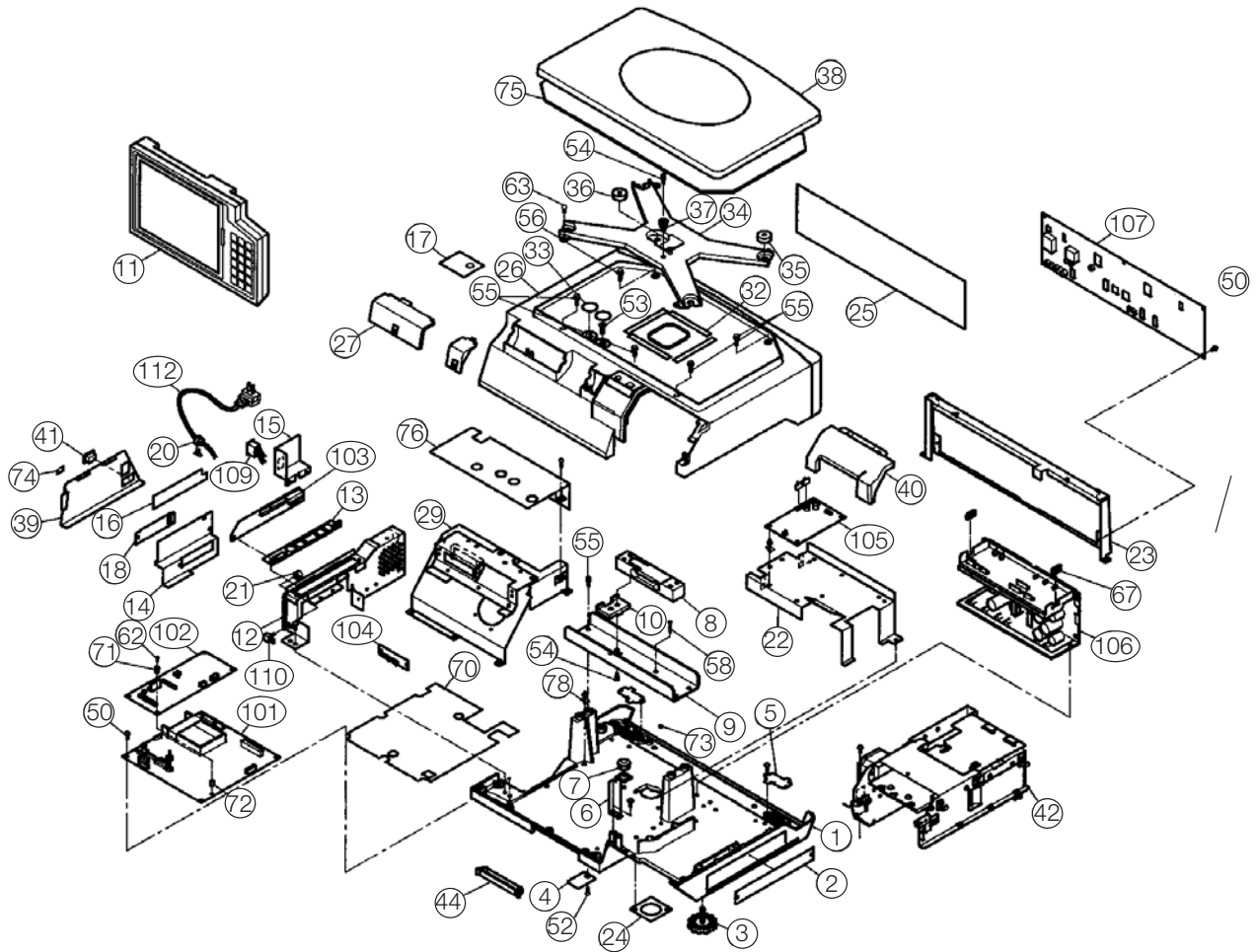
Ref#	Part#	Description	Price
1	Consult	Base main 101-7759-00	Consult
2	Consult	Nameplate specification 103-4406-18	Consult
3	96319	Leg leveling adjust 104-9846-00	Consult
4	Consult	Plate A 101-7676-13	Consult
5	Consult	Plate B, SQ, 66-4073-05	Consult
6	Consult	Bracket level 101-0750-11	Consult
7	44425	Level Unit 89-0914-11	Consult
8	87515	Load cell, C2G125KS15 107-4050-06	Consult
9	Consult	U Plate B, LC, 101-0629-21	Consult
10	Consult	Spacer, LC, 101-0630-17	Consult
11	Consult	Controller Unit assembly, 106-1470-09	Consult
12	Consult	Bracket AS, Connector 103-8162-14	Consult
13	Consult	Bracket AS, Connector, PWB 102-1011-03	Consult
14	96320	Cover Plate B, Connector 102-1012-25	Consult
15	Consult	Bracket, SW, Power 102-1014-22	Consult
16	Consult	Nameplate, Explanation 102-1006-04	Consult
17	Consult	Nameplate, Operation 103-4395-01	Consult
18	96321	Plate B, PC 102-1013-10	Consult
20	42718	Accessory, bush, cable 03-1160-09	Consult
21	Consult	Knob round 65-1828-01	Consult
22	Consult	Bracket, PWB, AD 102-1015-17	Consult
23	Consult	Bracket display 103-8039-19	Consult
24	Consult	Plate B speaker 103-4451-16	Consult
25	101002	Panel display, lb 103-4394-08	Consult
26	Consult	Cover AS main upper 101-0699-13	Consult
27	96323	Cap, main, L 101-0700-14	Consult
—	Consult	Screw, tapping, cross pan head, 072-8768-04	Consult
—	Consult	Nut, speed, v-type, 072-8773-03	Consult
29	Consult	Bracket, AS, controller 101-0756-31	Consult
32	Consult	Tape, single side, adhesive 66-7934-11	Consult
33	91178	Seal, void decal 40-9585-01	Consult
—	101374	Seal bolt kit	Consult
34	Consult	Support platter 101-0628-19	Consult
35	45167	Supporter rubber 00-6142-08	Consult
36	45168	Rubber pad 01-4849-07	Consult
37	Consult	Spring, coil, compressive 103-8071-00	Consult
38	96325	Weigh platter 101-0632-14	Consult
39	96326	Cover, connector 103-4448-32	Consult
—	103172	Bottom SS plate cover kit	Consult
40	96327	Cover, printer 63-8266-19	Consult
41	96328	Catch, fastener 62-4132-02	Consult
44	Consult	Cover, filter, fan 101-7738-11	Consult
47	Consult	PWB accessory, card spacer 43-1633-00	Consult
49	47008	TP screw M4x8 chromate 00-0439-01	Consult
50	48239	TP screw M3x6	Consult
52	Consult	Screw, cross flat 02-1915-06	Consult
53	Consult	Screw, cross flat 00-0219-09	Consult
54	Consult	Hex socket bolt 00-7215-00	Consult
55	Consult	Hex socket bolt 02-2745-03	Consult
57	47343	Hex bolt, with SW and PW S2P2 04-6309-01	Consult
58	Consult	Hex bolt 17-3999-01	Consult
60	Consult	Tapping screw, css pan head 72-8768-04	Consult

(Diagram SR-2000a-A)

Discontinued Scales

SR-2000a

Main Unit



SR-2000a-A

Parts not listed are no longer available. Some parts listed may not be available.

An ISO 9001 registered company ©2021 Rice Lake Weighing Systems 09/21 Prices and specifications subject to change without notice. Visit ricelake.com for current prices.

SR-2000a

Main Unit



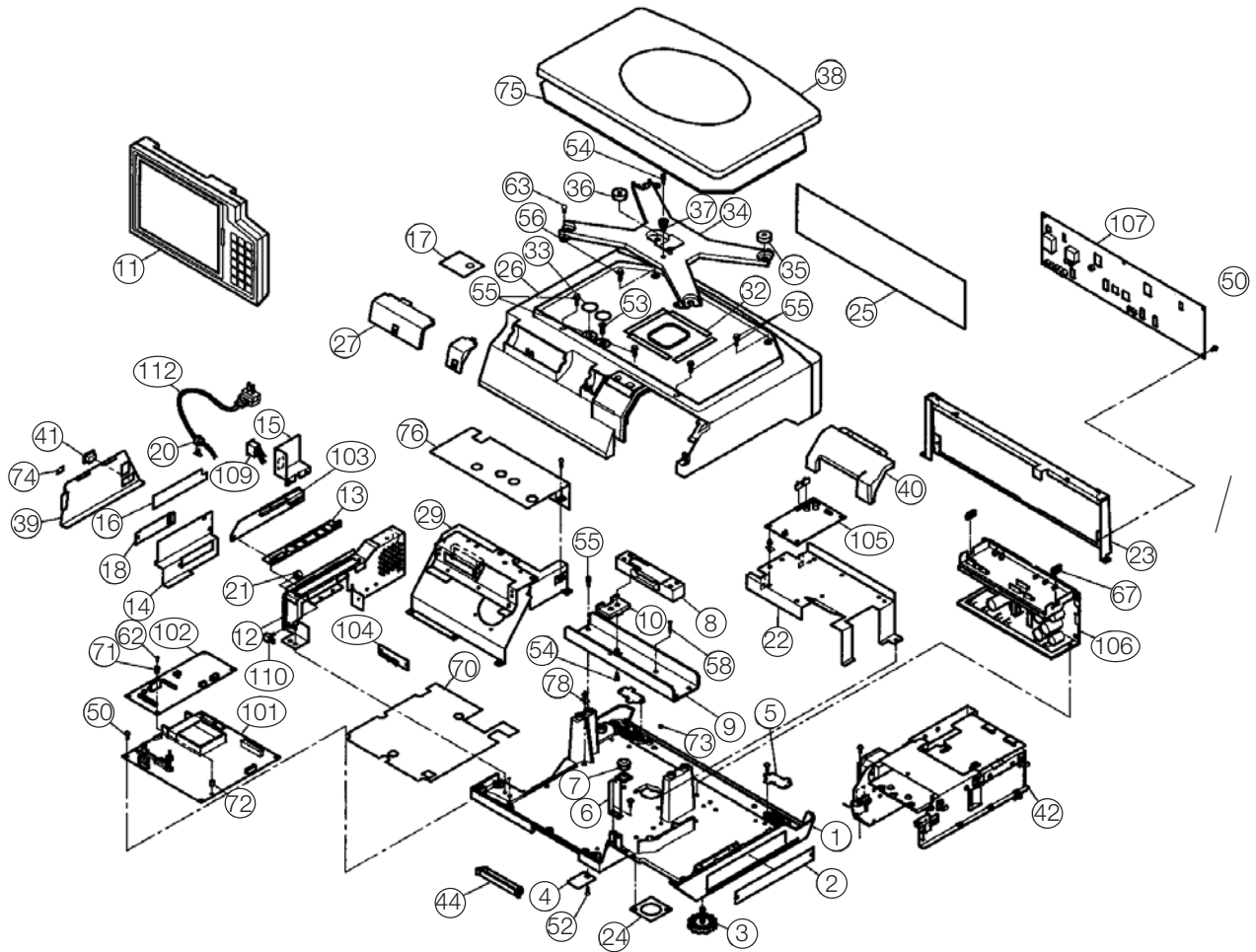
Part Number/Price

Ref#	Part#	Description	Price
61	Consult	Cross head, hex bolt with SW and PW 78-0612-01	Consult
63	Consult	Screw, cross pan head with glue 66-7811-08	Consult
64	Consult	Accessory, clamp code sticker 02-5711-08	Consult
65	Consult	Accessory, clamp code sticker 00-5450-01	Consult
66	Consult	Accessory, clamp wire 22-7035-09	Consult
67	Consult	Accessory, fastener edge saddle 64-0360-05	Consult
70	Consult	Sheet, block 105-5072-07	Consult
71	45170	PWB accessory, collar bush 00-1973-08	Consult
72	Consult	PWB accessory, collar bush 00-1845-04	Consult
73	Consult	Nameplate 97-8992-07	Consult
74	Consult	Nameplate, operation 106-1477-04	Consult
75	Consult	Sheet, cushion 106-1481-00	Consult
76	Consult	Cover, shield 106-1476-01	Consult
77	Consult	PWB accessory, card spacer 00-1803-08	Consult
78	Consult	PWB accessory, card spacer 106-1475-07	Consult
79	Consult	Accessory clamp, ckn clamp 00-1847-01	Consult
82	Consult	Accessory clamp, ckn clamp 07-5412-01	Consult
101	87516	PWB P-910H CPU Board, Rev H5/H4, 5V PCMCIA for LA-4121 RF card (106-7026-00)	Consult
	98804	PWB P-910H CPU Board, Rev H6, 3.3V PCMCIA for LA-4137 RF card (113-840-03)	Consult
	106629	PWB P-910R, CPU board, Rev 6, 3.3v PCMCIA, s/n 8030967 or later, C1514J or higher (119-3866-08)	Consult
102	87517	PWB P-909D thermal board/piggy back on main board	Consult
103	87518	PWB P-989A connector junction board 103-8373-13	Consult
104	87519	PWB P-985 display harness junction board 102-3034-06	Consult
105	87520	PWB P-888C A/D board 66-4359-46	Consult
	114044	PWB P-888C A/D board, with ground wire for remote base	Consult
106	87521	Power supply, switching 106-1434-04	Consult
107	87522	Display, fluorescent, dot matrix 98-4170-05	Consult
109	87523	Switch AS back light, power 106-1002-09	Consult
110	Consult	Potentiometer AS 94-0206-11	Consult
111	Consult	Harness C2, drawer 103-8171-18	Consult
113	Consult	Harness S2, power junction 63-8454-12	Consult
114	108563	Harness C6, EXT 107-8439-05	Consult
115	Consult	Harness S2, power 24V 106-1050-08	Consult
116	Consult	Harness C2, PS 106-1049-03	Consult
117	103732	Harness C4, LCD junction 103-8168-25	Consult
118	104103	Harness C4, key junction 103-8169-29	Consult
119	Consult	Harness C2, VFD 103-4478-16	Consult
120	Consult	Harness C3, scale 103-4477-21	Consult
121	Consult	Connector D sub accessory 74-0842-02	Consult
999	95563	RF card LA-4137, use with 98804 and 106629	Consult
999	91871	Adaptor for LA-4137, PCMCIA	Consult

(Diagram SR-2000a-A)

SR-2000a

Main Unit



SR-2000a-A

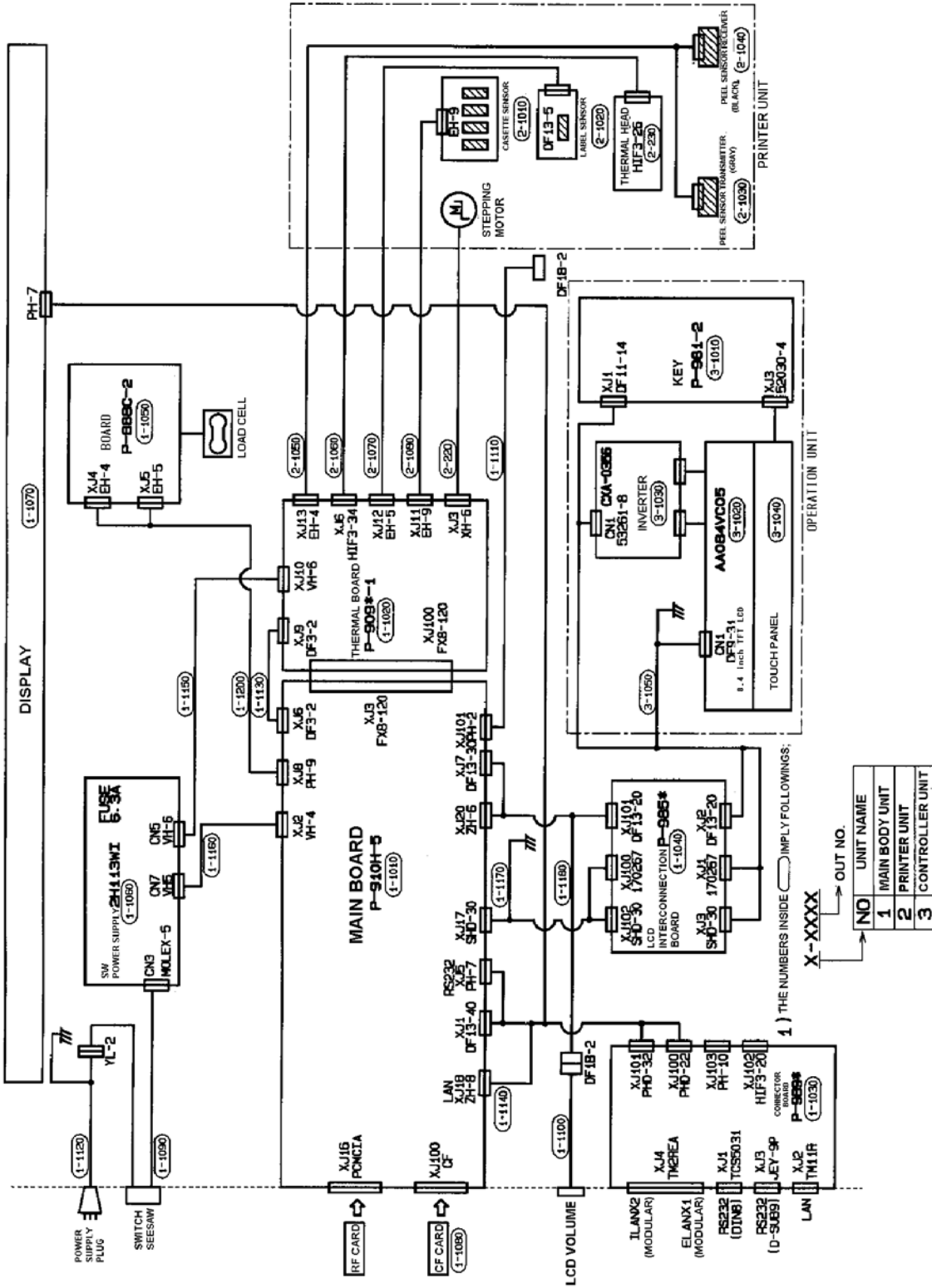
Parts not listed are no longer available. Some parts listed may not be available.

An ISO 9001 registered company ©2021 Rice Lake Weighing Systems 09/21 Prices and specifications subject to change without notice. Visit ricelake.com for current prices.

SR-2000a

Main Unit

Discontinued Scales



SR-2000a-Wiring

Parts not listed are no longer available. Some parts listed may not be available.