

SR-2000a

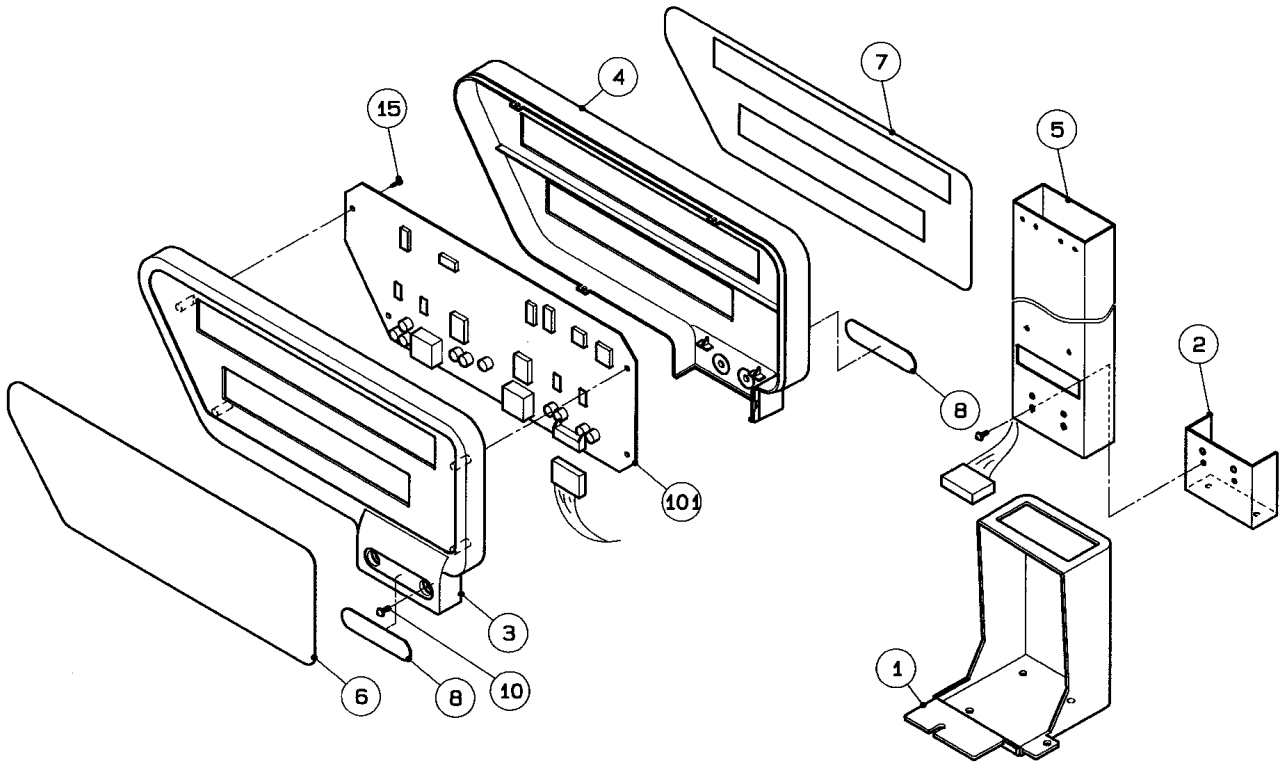
Pole Display



Part Number/Price

Ref#	Part#	Description	Price
1	Consult	Cover pole 105-5194-08	Consult
2	Consult	Bracket pole 105-5195-01	Consult
3	80960	Case, display, front 89-3935-01	Consult
4	80958	Case, display, rear 893936-05	Consult
5	80961	Pole, stand 89-4004-08	Consult
6	Consult	Panel, display 105-5105-06, operator	Consult
7	Consult	Panel, display 105-5106-00, customer	Consult
8	80981	Plate A, Ishida sticker, screw cover 89-4028-07	Consult
9	41732	Screw cross truss 00-0237-06	Consult
10	47008	TP screw 00-0439-01	Consult
13	Consult	Nut 68-9857-01	Consult
14	Consult	Screw, cross pan head 00-0086-01	Consult
15	Consult	Tapping screw, cross pan head 00-0356-06	Consult
16	45174	Push rivet 36-3442-05	Consult
17	Consult	Accessory, clamp, code sticker 02-5711-08	Consult
101	Consult	Display, fluoresent, dot matrix 105-5368-09	Consult
102	Consult	Fuse holder AS 106-1432-05	Consult
103	Consult	Cover, fuse holder 60-1535-04	Consult
104	Consult	Fuse, ceramic 106-1436-01	Consult

(Diagram SR-2000a-E)



SR-2000a-E