



Part Number/Price

Ref#	Part#	Description	Price
1	Consult	Frame, printer 66-1832-22	Consult
2	Consult	Frame, printer, upper 66-4262-21	Consult
3	Consult	Bracket, sensor, R 66-4257-03	Consult
4	Consult	Cover, harness 66-4256-00	Consult
5	Consult	Rail, printer, L 66-4363-05	Consult
6	Consult	Rail, printer, R 66-4362-01	Consult
7	Consult	Cover, harness, thermal 66-4255-15	Consult
8	Consult	Sheet, cover, harness 66-4252-05	Consult
9	Consult	Shaft, printer 64-0164-39	Consult
10	Consult	Bush 66-7780-06	Consult
11	Consult	Spring, coil 66-4251-01	Consult
12	Consult	Bracket, printer 75-5569-01	Consult
13	Consult	Plate A, SQ 66-4249-03	Consult
14	Consult	Press AS, label sensor 66-4258-16	Consult
15	96434	Bracket, head 66-4253-18	Consult
16	96435	Spring, coil, compressive 96-9830-03	Consult
17	96436	Spring, coil, compressive 96-9831-07	Consult
18	96437	Plate A, spring, support 66-4250-08	Consult
19	Consult	Stay, head, thermal 66-4261-09	Consult
20	47481	Stopper 00-9327-01	Consult
21	96367	Gear, flat 64-0171-26	Consult
22	87530	Motor AS, stepping 66-7781-00	Consult
23	87531	Printer, thermal print head 94-0086-01	Consult
24	Consult	Catch, roller 64-0344-05	Consult
25	115169	Collar, spacer 48-6074-02	Consult
26	46989	Collar, spacer 00-0391-07	Consult
27	48784	TP screw 10-0725-06	Consult
29	47008	TP screw M4x8 chromate 00-0439-01	Consult
30	42851	Screw, cross truss 00-0239-03	Consult
31	Consult	Screw, cross pan head, with glue 66-7811-08	Consult
32	47215	C ring, for shaft 36-0949-05	Consult
33	46986	E-ring 00-0287-02	Consult
34	Consult	Screw, cross, pan head, with SW 65-1827-08	Consult
35	Consult	Screw, cross, pan, head 02-1850-08	Consult
36	Consult	TP screw M3x6 00-0438-08	Consult
37	Consult	Screw, cross pan head 02-5338-01	Consult
38	Consult	Accessory, clamp, flat cable 64-0318-08	Consult
39	Consult	Accessory, clamp, flat cable 65-1823-03	Consult
40	Consult	Accessory, clamp, CKS clamp 01-3035-09	Consult
41	Consult	Accessory, clamp, CKN clamp 07-5412-01	Consult
42	Consult	Accessory, clamp, wire 22-7035-09	Consult
43	Consult	Gasket 65-1825-01	Consult
44	Consult	Tape, saxin single 66-4285-08	Consult
45	84066	Set screw, hex socket, with point 00-0469-03	Consult
46	175486	Collar, spacer 05-0812-04	Consult
47	Consult	Tape, single side 66-7933-18	Consult
48	Consult	Tape, single side 66-7934-11	Consult
49	96440	Cover, head 75-5776-14	Consult
52	Consult	Catch, support 93-1681-04	Consult
53	Consult	Hex nut, T3 00-0272-07	Consult
101	87532	Sensor, cassette number 64-5586-08	Consult
102	87533	Photo interrupter, reflection label gap sensor 105-5249-09	Consult
103	87534	Photo interrupter, peel sensor, grey, left, trans 64-5587-01	Consult
104	87535	Photo interrupter, peel sensor, black, right, receive 66-4500-09	Consult
105	Consult	Harness, C3, peeling 63-8469-27	Consult
106	Consult	Harness, C2, thermal head 106-1048-00	Consult
107	Consult	Harness, C2, label 64-5606-27	Consult
108	Consult	Harness, S2, cassette 63-8453-19	Consult

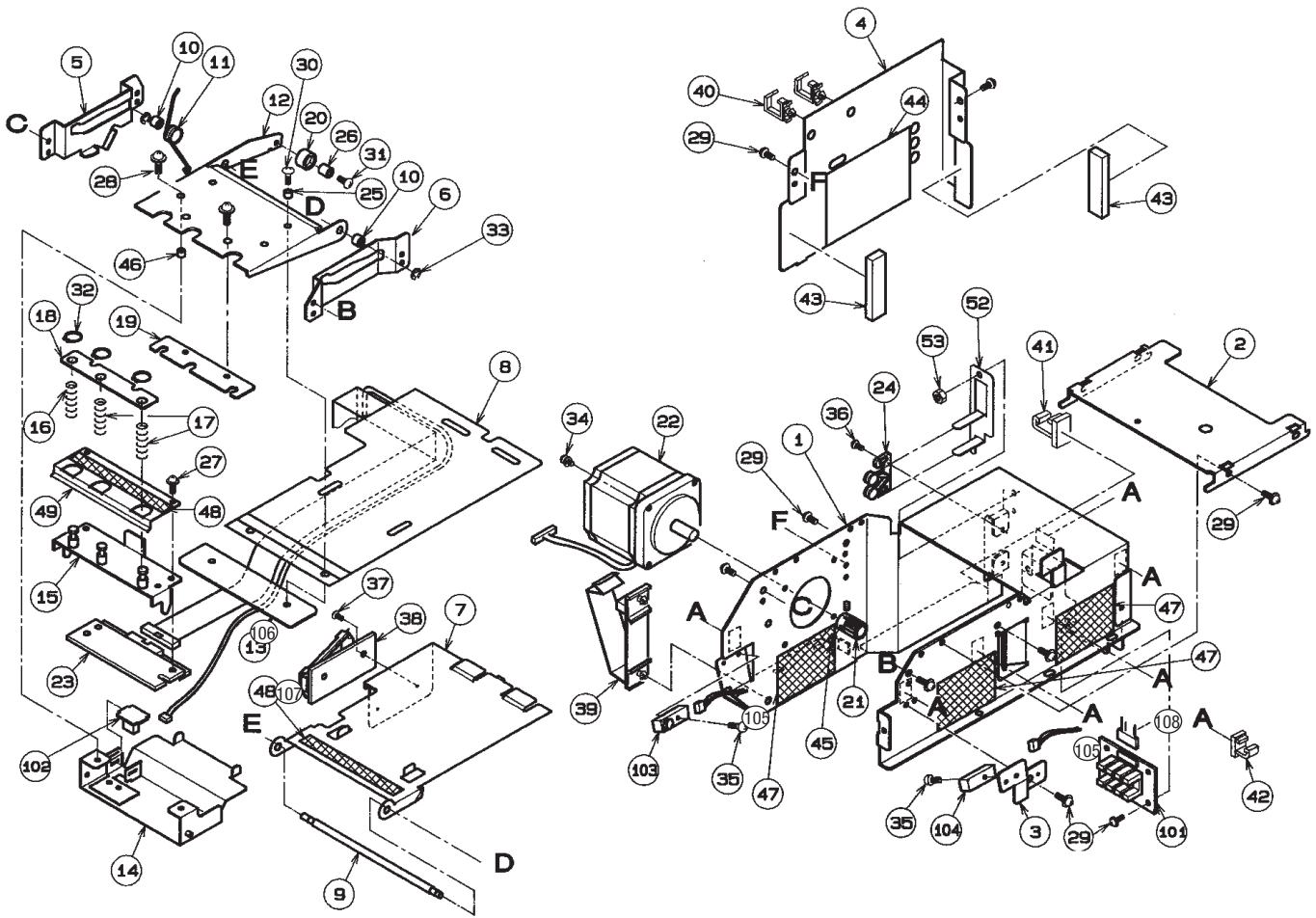
(Diagram SR-2000a-B)

Parts not listed are no longer available. Some parts listed may not be available.

An ISO 9001 registered company ©2021 Rice Lake Weighing Systems 09/21 Prices and specifications subject to change without notice. Visit ricelake.com for current prices.

SR-2000a

Printer Unit



SR-2000a-B

Discontinued Scales