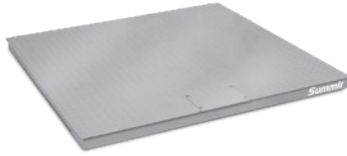


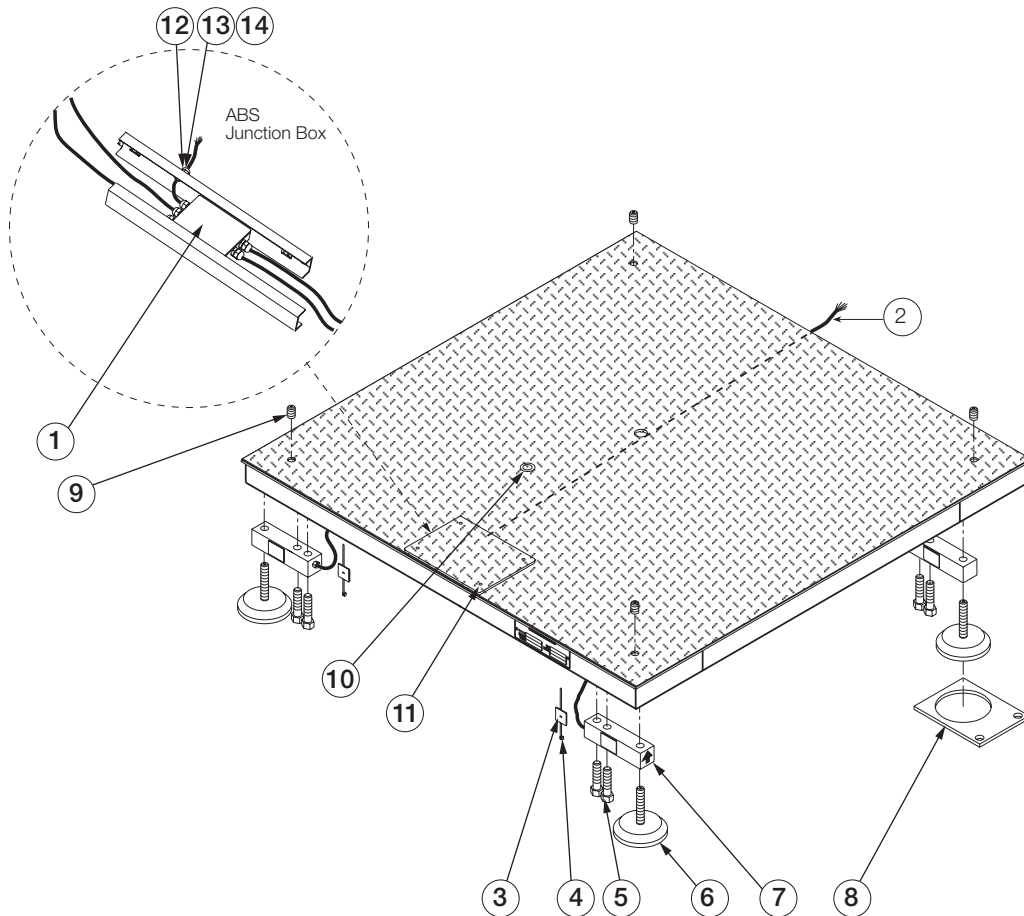
Summit 3000



Part Number/Price

Ref#	Part#	Description	Price
1	73428	Junction box, ABS plastic - 4 channel, signal trim	Consult
2	76015	Cable, 6-wire, deck to indicator	Consult
3	15658	Cable tie mount, 1 in square	Consult
4	15631	Cable ties, 3 in	Consult
5	15071	Load cell screw	Consult
6	73801	Foot assembly	Consult
7	21528	Load cell, RL35023 - 1000 lb (2000 lb scale)	Consult
7	21530	Load cell, RL35023 - 2500 lb (5000 lb scale)	Consult
7	21532	Load cell, RL35023 - 4000 lb (10,000 lb scale)	Consult
8	75819	Mounting plate, (set of two plates)	Consult
9	15051	Overload stops (Canadian legal-for trade model only)	Consult
11	14960	J-box cover screws	Consult
12	66454	Cord grip (snap in) (3 x 3 and 4 x 4 models only)	Consult
13	15628	Cord grip, black 1/2 in (4 x 4 models and 5 x 5 models only)	Consult
14	15630	Nut, cord grip 1/2 in	Consult

(See Diagram Summit 3000-A)



Summit 3000-A