

SURVIVOR® 420 HE Hostile Environment Digital Weight Indicator

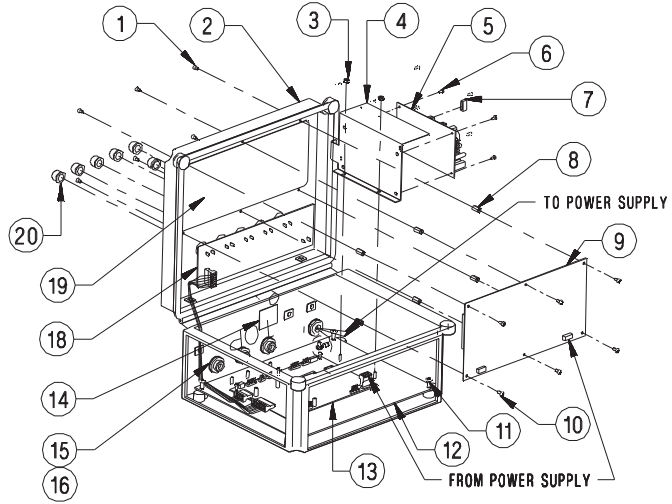
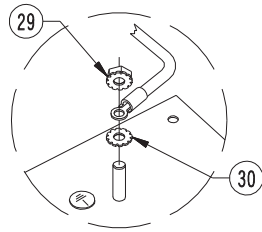


Part Number/Price

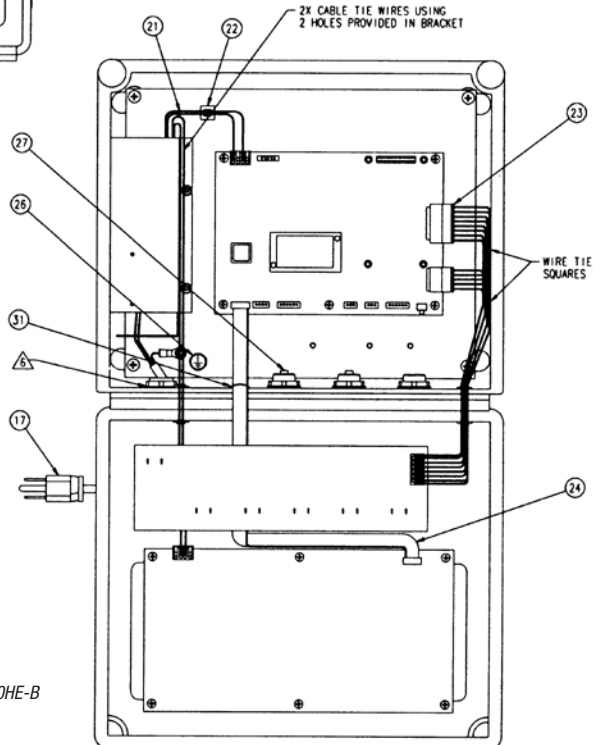
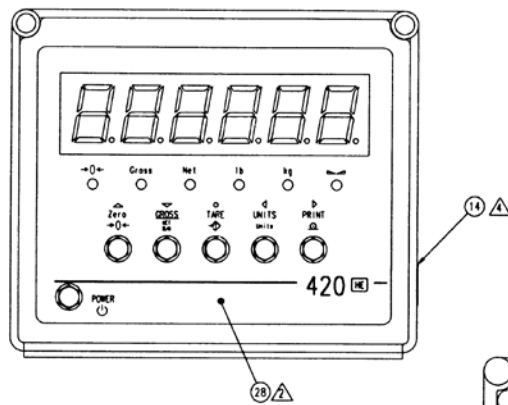
| Ref# | Part# | Description | Price |
|----------------------------------|--------------|---|---------|
| | 87972 | LIT, manual | Consult |
| | 87973 | Parts Kit | Consult |
| Components of Part# 87973 | | | |
| | 14626 | Nut, KEP 8-32 NC hex | Consult |
| | 15134 | Washer, lock No 8 type A | Consult |
| | 15664 | Gland, reducing 9 mm - 3/8 NPT | Consult |
| | 94422 | Label, capacity .45 x 3.22 | Consult |
| | 53075 | Clamp, ground cable shield | Consult |
| | 70599 | CONN, 6 position screw terminal | Consult |
| | 71125 | CONN, 3 position screw terminal | Consult |
| | 71126 | CONN, 4 position screw terminal | Consult |
| | 85555 | Label, annunciator gray | Consult |
| 1 | 14842 | Screw, MACH 6 - 32 NC x 5/16 | Consult |
| 2 | 87962 | Enclosure, machined 420HE | Consult |
| 3 | 58248 | Nut, lock 6 - 32 NC hex nylon | Consult |
| 4 | 82856 | Bracket, power supply | Consult |
| 5 | 72996 | Power supply, 12V board | Consult |
| 6 | 14822 | Screw, MACH 4 - 40 NC x 1/4 | Consult |
| 7 | 16774 | Fuse cover, 5 x 20 mm blue | Consult |
| 7 | 54224 | Fuse, time delay 4-250V, slo-blo 5x20mm | Consult |
| 8 | 58096 | Standoff, FEM-FEM 6 - 32 NC | Consult |
| 9 | 87808 | Board, DSPL LED 2" high | Consult |
| 10 | 14839 | Screw, MACH 6 - 32 NC x 1/4 | Consult |
| 12 | 87966 | Panel assemble, mounting | Consult |
| 13 | 87958 | Board assemble, CPU | Consult |
| 15 | 15655 | Cable, grip 3/8 NPT | Consult |
| 16 | 15656 | Lock nut, 3/8 NPT | Consult |
| 17 | 85202 | Power cord assemble, 120VAC | Consult |
| 18 | 87971 | Switch assemble, 6 push button | Consult |
| 19 | 87969 | Lens, filter with adhesive | Consult |
| 20 | 15895 | Cover, switch server NEMA 4 | Consult |
| 21 | 87967 | Cable assemble, DC | Consult |
| 23 | 88189 | Cable assemble, switch board | Consult |
| 24 | 88191 | Cable, ribbon 17" | Consult |
| 28 | 87968 | Overlay, front panel | Consult |
| 29 | 14626 | Nut, KEP 8 - 32 NC hex | Consult |
| 30 | 15134 | Washer, lock no 8 type A | Consult |

(See Diagrams 420HE-A and 420HE-B)

SURVIVOR® 420 HE Hostile Environment Digital Weight Indicator



420HE-A



420HE-B

Indicators/Controllers