

# SURVIVOR® OTR

Concrete Deck

TRUCK SCALES



Due to the variety of configurations, please consult the factory to discuss application requirements and for complete specifications and price quotations.

## Approvals



Measurement  
Canada  
Approved

**Package includes:** Assembled weighbridge modules and weighbridge fasteners; load cells with conduit fitting; load cell mounts with leveling bolts and anchor bolts; copper transient bypass cables at each load cell and between modules; conduit for load cell cable runs; poly-coated flexible steel conduit from load cell to metal conduit; conduit fittings from poly-coated flexible steel to metal conduit; FRP junction box(es); homerun cable to indicator (60 ft long); print packages including foundation drawing (pier, floating slab or pit) and installation manual; galvanized pan for concrete.

**Package does not include:** Approach coping; foundation alignment posts; rebar and mesh for foundation or deck; concrete; indicator; printer; freight charges including material handling; shipping charges, transportation permits and fees, escort(s) charge and insurance transportation fees.

## Standard Features

- Concrete deck sits above neutral axis, supported by 6-inch steel deck substructure
- Longitudinal I-beam construction
- Integrated load cell pockets
- Boltless, top access to load cells and junction box
- Self-seating, P-bracket connection between modules
- G-force mount assemblies return the scale to center without check rods or bumper bolts
- Cables completely encased in rodent-proof conduit
- Thorough finishing process includes cleaning of steel before and after welding, followed by either high solids urethane liquid paint or durable powder paint

## Options

- 10 lb division for truck or livestock
- 20 lb division
- Schedule 40 guiderails
- Schedule 80 guiderails
- Manhole
- Slotted manhole
- Grain dump
- End cleanout
- Factory installed rebar
- Stainless steel load cells
- Tapered links and radius blocks
- Pre-suspended load cells and mounts
- Stainless steel suspension hardware
- Galvanized weighbridge and suspension hardware
- Custom coatings
- 3/8-inch runners
- Side deflector plates
- Catwalk
- Landing with stairs
- iQUBE2® digital diagnostic junction box bundles

## Specifications

### Load Cells:

Rice Lake RL75058-LP alloy steel,  
Double-ended beam, 75,000 lb capacity

### Mount Assemblies:

G-force self-checking mounting system

### Junction Box:

JB8SPT Tuffseal® polycarbonate NEMA Type 4X enclosure with overlapping solid cover, stainless steel screws

### Platform Size:

10 to 160 ft length  
10 ft, 11 ft and 12 ft width  
NTEP Certified up to 16.5 ft  
(custom length and width available)

### Scale Profile:

16.5 in or 18.75 in  
(custom profiles available)

### Deck Thickness:

6 in

### Full Scale Capacity:

Up to 270,000 lb

### Concentrated Load Capacity (CLC):

100,000 lb

### Dual Tandem Axle (DTA):

100,000 lb

### Warranty:

Weighbridge: 5-year or 12-year limited  
Parts: 5-year or 12-year limited,  
including lightning protection

### Approvals:

NTEP CC 02-003, Class IIII  
Measurement Canada AM-5413

## Length/Capacity

Length	Capacity	Est. Weight	Number of Modules	Number of Load Cells	CLC	Part #	Model	Price
<b>OTR - Concrete Deck – 10 Foot Width</b>								
10 ft	60 tons	4,200 lb	1	4	50 tons	<b>53312</b>	EZ1010-SC-60-OTR	Consult
12 ft	60 tons	4,900 lb	1	4	50 tons	<b>96700</b>	EZ1210-SC-60-OTR	Consult
15 ft	60 tons	5,800 lb	1	4	50 tons	<b>126369</b>	EZ1510-SC-60-OTR	Consult
20 ft	60 tons	7,100 lb	1	4	50 tons	<b>53315</b>	EZ2010-SC-60-OTR	Consult
24 ft*	60 tons	8,200 lb	1	4	50 tons	<b>53318</b>	EZ2410-SC-60-OTR	Consult
40 ft	100 tons	13,800 lb	2	6	50 tons	<b>53321</b>	EZ4010-SC-100-OTR	Consult
47 ft*	100 tons	16,600 lb	2	6	50 tons	<b>53324</b>	EZ4710-SC-100-OTR	Consult
60 ft	100 tons	19,800 lb	3	8	50 tons	<b>53327</b>	EZ6010-SC-100-OTR	Consult
70 ft	100 tons	22,500 lb	3	8	50 tons	<b>53330</b>	EZ7010-SC-100-OTR	Consult
72 ft	100 tons	23,100 lb	3	8	50 tons	<b>212357</b>	EZ7210-SC-100-OTR	Consult
75 ft	100 tons	23,800 lb	3	8	50 tons	<b>86267</b>	EZ7510-SC-100-OTR	Consult
80 ft	100 tons	25,400 lb	4	10	50 tons	<b>53333</b>	EZ8010-SC-100-OTR	Consult
90 ft	100 tons	25,800 lb	4	10	50 tons	Consult	EZ9010-SC-100-OTR	Consult
93 ft*	100 tons	26,300 lb	4	10	50 tons	<b>53336</b>	EZ9310-SC-100-OTR	Consult
100 ft	100 tons	31,400 lb	5	12	50 tons	<b>53339</b>	EZ10010-SC-100-OTR	Consult
110 ft	100 tons	32,100 lb	5	12	50 tons	Consult	EZ11010-SC-100-OTR	Consult
117 ft*	100 tons	32,800 lb	5	12	50 tons	<b>53342</b>	EZ11710-SC-100-OTR	Consult
120 ft	100 tons	34,200 lb	6	14	50 tons	<b>152107</b>	EZ12010-SC-100-OTR	Consult
130 ft	100 tons	35,600 lb	6	14	50 tons	<b>152108</b>	EZ13010-SC-100-OTR	Consult
140 ft	100 tons	37,000 lb	6	14	50 tons	<b>152109</b>	EZ14010-SC-100-OTR	Consult
150 ft	100 tons	38,400 lb	7	16	50 tons	<b>152110</b>	EZ15010-SC-100-OTR	Consult
160 ft	100 tons	39,800 lb	8	18	50 tons	<b>152111</b>	EZ16010-SC-100-OTR	Consult
<b>OTR - Concrete Deck – 11 Foot Width</b>								
10 ft	60 tons	4,400 lb	1	4	50 tons	<b>53313</b>	EZ1011-SC-60-OTR	Consult
12 ft	60 tons	5,300 lb	1	4	50 tons	<b>96701</b>	EZ1211-SC-60-OTR	Consult
15 ft	60 tons	6,600 lb	1	4	50 tons	<b>86268</b>	EZ1511-SC-60-OTR	Consult
20 ft	60 tons	8,100 lb	1	4	50 tons	<b>53316</b>	EZ2011-SC-60-OTR	Consult
24 ft*	60 tons	8,600 lb	1	4	50 tons	<b>53319</b>	EZ2411-SC-60-OTR	Consult
40 ft	100 tons	14,400 lb	2	6	50 tons	<b>53322</b>	EZ4011-SC-100-OTR	Consult
47 ft*	100 tons	17,400 lb	2	6	50 tons	<b>53325</b>	EZ4711-SC-100-OTR	Consult
60 ft	100 tons	20,700 lb	3	8	50 tons	<b>53328</b>	EZ6011-SC-100-OTR	Consult
70 ft	100 tons	23,600 lb	3	8	50 tons	<b>53331</b>	EZ7011-SC-100-OTR	Consult
72 ft	100 tons	24,100 lb	3	8	50 tons	<b>212358</b>	EZ7211-SC-100-OTR	Consult
75 ft	100 tons	24,900 lb	3	8	50 tons	<b>86269</b>	EZ7511-SC-100-OTR	Consult
80 ft	100 tons	26,600 lb	4	10	50 tons	<b>53334</b>	EZ8011-SC-100-OTR	Consult
90 ft	100 tons	27,100 lb	4	10	50 tons	Consult	EZ9011-SC-100-OTR	Consult
93 ft*	100 tons	27,600 lb	4	10	50 tons	<b>53337</b>	EZ9311-SC-100-OTR	Consult
100 ft	100 tons	32,500 lb	5	12	50 tons	<b>53340</b>	EZ10011-SC-100-OTR	Consult
110 ft	100 tons	35,900 lb	5	12	50 tons	Consult	EZ11011-SC-100-OTR	Consult
117 ft*	100 tons	39,400 lb	5	12	50 tons	<b>53343</b>	EZ11711-SC-100-OTR	Consult
120 ft	100 tons	39,900 lb	6	14	50 tons	<b>99566</b>	EZ12011-SC-100-OTR	Consult
130 ft	100 tons	43,900 lb	6	14	50 tons	<b>119412</b>	EZ13011-SC-100-OTR	Consult
140 ft	100 tons	46,400 lb	6	14	50 tons	<b>152112</b>	EZ14011-SC-100-OTR	Consult
150 ft	100 tons	49,900 lb	7	16	50 tons	<b>152113</b>	EZ15011-SC-100-OTR	Consult
160 ft	100 tons	52,900 lb	8	18	50 tons	<b>152114</b>	EZ16011-SC-100-OTR	Consult

\*24ft actual = 23ft 2.5in; 47ft actual = 46ft 6.5in; 93ft actual = 93ft 2.5in; 117ft actual = 116ft 6.5in

NOTE: Shipping rates vary with options and split shipment requirements. Consult factory for current freight estimate.

OTR scales feature undersized dimensions and are designed to fit into existing foundations. Example: 70 x 10ft scale is actually 69ft 10.5in L x 9ft 10.5in W.

TRUCK SCALES

# SURVIVOR® OTR

Concrete Deck

## Length/Capacity

Length	Capacity	Est. Weight	Number of Modules	Number of Load Cells	CLC	Part #	Model	Price
<b>OTR - Concrete Deck – 12 Foot Width</b>								
10ft	60 tons	4,900 lb	1	4	50 tons	<b>53314</b>	EZ1012-SC-60-OTR	Consult
12ft	60 tons	5,700 lb	1	4	50 tons	<b>96702</b>	EZ1212-SC-60-OTR	Consult
15ft	60 tons	7,000 lb	1	4	50 tons	<b>86270</b>	EZ1512-SC-60-OTR	Consult
20ft	60 tons	8,300 lb	1	4	50 tons	<b>53317</b>	EZ2012-SC-60-OTR	Consult
24ft*	60 tons	9,000 lb	1	4	50 tons	<b>53320</b>	EZ2412-SC-60-OTR	Consult
40ft	100 tons	15,100 lb	2	6	50 tons	<b>53323</b>	EZ4012-SC-100-OTR	Consult
47ft*	100 tons	17,600 lb	2	6	50 tons	<b>53326</b>	EZ4712-SC-100-OTR	Consult
60ft	100 tons	21,800 lb	3	8	50 tons	<b>53329</b>	EZ6012-SC-100-OTR	Consult
70ft	100 tons	25,800 lb	3	8	50 tons	<b>53332</b>	EZ7012-SC-100-OTR	Consult
72ft	100 tons	26,100 lb	3	8	50 tons	<b>212359</b>	EZ7212-SC-100-OTR	Consult
75ft	100 tons	27,200 lb	3	8	50 tons	<b>86271</b>	EZ7512-SC-100-OTR	Consult
80ft	100 tons	29,000 lb	4	10	50 tons	<b>53335</b>	EZ8012-SC-100-OTR	Consult
90ft	100 tons	29,600 lb	4	10	50 tons	<b>Consult</b>	EZ9012-SC-100-OTR	Consult
93ft*	100 tons	30,100 lb	4	10	50 tons	<b>53338</b>	EZ9312-SC-100-OTR	Consult
100ft	100 tons	35,400 lb	5	12	50 tons	<b>53341</b>	EZ 10012-SC-100-OTR	Consult
110ft	100 tons	39,200 lb	5	12	50 tons	<b>Consult</b>	EZ11012-SC-100-OTR	Consult
117ft*	100 tons	42,900 lb	5	12	50 tons	<b>53344</b>	EZ 11712-SC-100-OTR	Consult
120ft	100 tons	43,500 lb	6	14	50 tons	<b>125939</b>	EZ12012-SC-100-OTR	Consult
130ft	100 tons	47,100 lb	6	14	50 tons	<b>152116</b>	EZ13012-SC-100-OTR	Consult
140ft	100 tons	51,100 lb	6	14	50 tons	<b>152117</b>	EZ14012-SC-100-OTR	Consult
150ft	100 tons	54,400 lb	7	16	50 tons	<b>152118</b>	EZ15012-SC-100-OTR	Consult
160ft	100 tons	57,700 lb	8	18	50 tons	<b>152119</b>	EZ16012-SC-100-OTR	Consult

\*24 ft actual = 23 ft 2.5 in; 47 ft actual = 46 ft 6.5 in; 93 ft actual = 93 ft 2.5 in; 117 ft actual = 116 ft 6.5 in

NOTE: Shipping rates vary with options and split shipment requirements. Consult factory for current freight estimate.

OTR scales feature undersized dimensions and are designed to fit into existing foundations. Example: 70 x 10ft scale is actually 69ft 10.5in L x 9ft 10.5in W.

## Clearance Under Scale

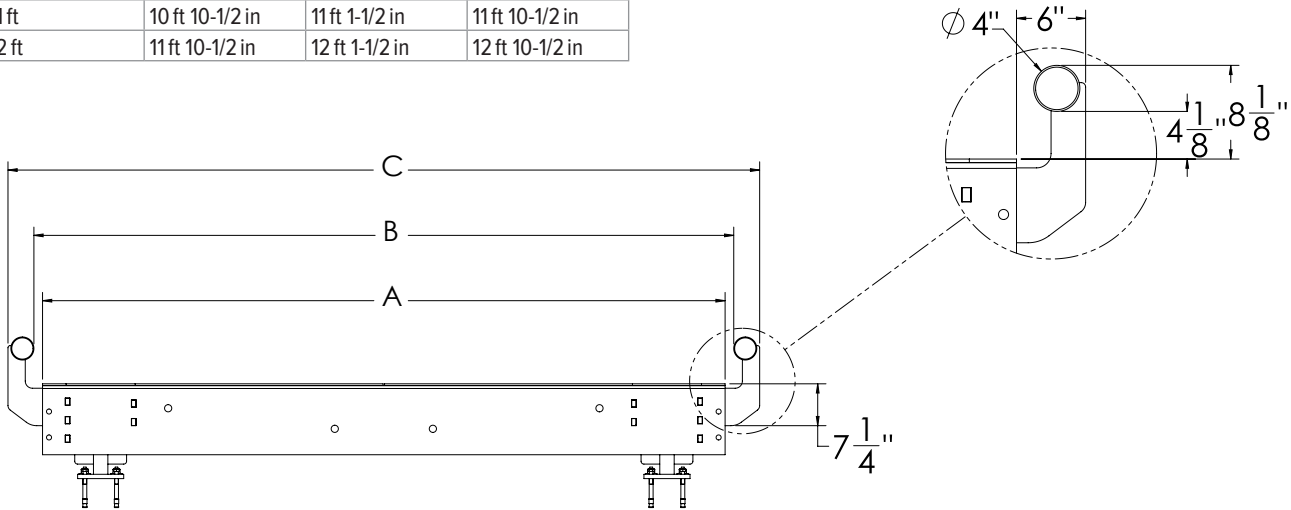
Profile	Clearance Under Scale
16.50 in	4.19 in
18.75 in	6.56 in
20.75 in	8.56 in
24.00 in	11.81 in

NOTE: Consult factory for custom profiles



## Guiderail Dimensions

Width	A	B	C
10 ft	9 ft 10-1/2 in	10 ft 1-1/2 in	10 ft 10-1/2 in
11 ft	10 ft 10-1/2 in	11 ft 1-1/2 in	11 ft 10-1/2 in
12 ft	11 ft 10-1/2 in	12 ft 1-1/2 in	12 ft 10-1/2 in

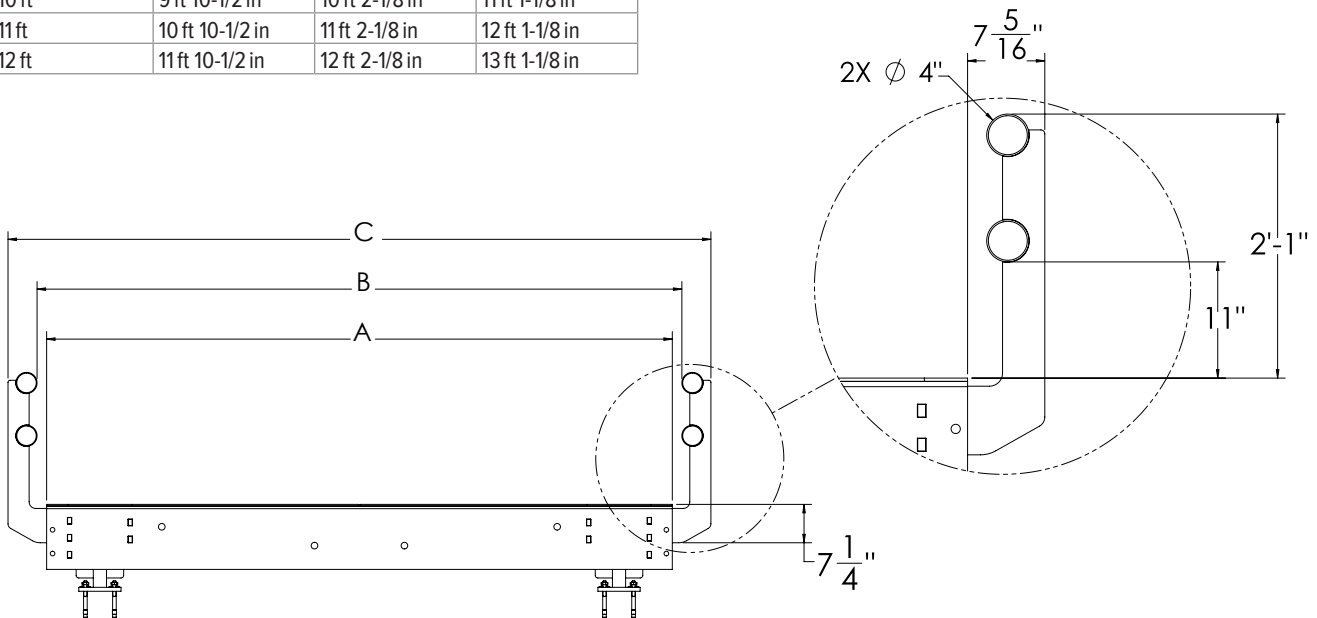


OTR END VIEW

TRUCK SCALES

## Guiderail Dimensions

Width	A	B	C
10 ft	9 ft 10-1/2 in	10 ft 2-1/8 in	11 ft 1-1/8 in
11 ft	10 ft 10-1/2 in	11 ft 2-1/8 in	12 ft 1-1/8 in
12 ft	11 ft 10-1/2 in	12 ft 2-1/8 in	13 ft 1-1/8 in



OTR END VIEW

# SURVIVOR® OTR

Concrete Deck

TRUCK SCALES

## Part Number/Price

Part #	Description	Price
<b>Foundation Components</b>		
Varied	Approach coping (up to 14 ft long)	Consult
Varied	Pit coping (specify length)	Consult
<b>Scale Components</b>		
Varied	Rebar	Consult
18799	T-grip molding	Consult
108236	10 ft steel t-strip molding, 4 × 2.18 in	Consult
101800	11 ft steel t-strip molding, 4 × 2.18 in	Consult
107048	12 ft steel t-strip molding, 4 × 2.18 in	Consult
Varied	Manhole option	Consult
Varied	Slotted manhole option	Consult
Varied	End cleanout—removable piece of treadplate located on both ends of scale for cleanout purposes	Consult
Varied	Remote J-Box	Consult
69286	Shim kit (one per section required)	Consult
130829	iQUBE <sup>2</sup> bundle, 6 to 8 load cells includes 920i <sup>®</sup>	Consult
130830	iQUBE <sup>2</sup> bundle, 10 to 12 load cells includes 920i <sup>®</sup>	Consult
188936	iQUBE <sup>2</sup> bundle, 6 to 8 load cells includes 1280	Consult
188939	iQUBE <sup>2</sup> bundle, 10 to 12 load cells includes 1280	Consult
<b>Guiderails</b>		
Varied	4 in yellow guiderail attached to both sides of scale (8 in overall height)	Consult
Varied	4 in yellow, double guiderails attached to both sides of scale (25 in overall height)	Consult
Varied	Approach guiderails	Consult
<b>Stainless Steel Welded-Seal Load Cells*</b>		
SSH-4	4 cell system	Consult
SSH-6	6 cell system	Consult
SSH-8	8 cell system	Consult
SSH-10	10 cell system	Consult
SSH-12	12 cell system	Consult
SSH-14	14 cell system	Consult
* Replaces tool steel load cells with welded-seal stainless steel load cells		
<b>Spare Parts</b>		
197781	RL75058-LP, double-ended beam load cell, 75,000 lb capacity, NTEP Certified	Consult
197782	RL75058-LP, double-ended beam load cell, 60 ft stainless steel overbraid cable, 75,000 lb, NTEP Certified	Consult
197780	RL75058-LP, double-ended beam load cell, 100 ft cable, 75,000 lb, NTEP Certified	Consult
48698	65058S75K-1000 load cell with 60 ft of cable, stainless steel welded seal	Consult
157931	RL75060S-25K SS load cell with 60 ft cable	Consult
91783	JB8SPT signal trim, 8-channel with expansion and transient protection	Consult
98124	JB8SPT signal trim, 8-channel with expansion and transient protection in stainless steel NEMA Type 4 enclosure	Consult
17780	16 in trimmed ground strap	Consult
45716	58.75 ft, 6 wire homerun cable	Consult
50101	Truck scale rocker link	Consult
67290	Bottom mount load plate radius block	Consult
69203	Primer touch-up paint	Consult
91578	Yellow touch-up paint	Consult
66953	Red touch-up paint	Consult
107527	Rocker link 75,000 lb painted, self centering	Consult
110804	Block, self centering	Consult
68842	75,000 lb OTR mount base weldment 6.09 in tall	Consult
69126	75,000 lb OTR mount base weldment 8.34 in tall	Consult
74626	75,000 lb OTR mount base weldment 10.75 in tall	Consult
171119	Spacer block installation tool with grip handle	Consult
85667	Stainless steel anchors for 75,000 lb mounts	Consult
41973	Concrete 3/4 in diameter anchor	Consult
130908	1.5 × 9.5 in P-bracket pin (old style OTR made prior to 2010)	Consult
64845	1.75 × 9.5 in P-bracket pin (new style made after 2010)	Consult
15294	Spring pin 3/8 × 2 in roll pin for P-bracket pin (2 required)	Consult
109427	75,000 lb alignment tool	Consult
177722	125,000 lb alignment tool	Consult

## Part Number/Price

Part #	Description	Price
<b>Spare Parts</b>		
128042	Bolt, 1-12 UNF x 4 hex head	Consult
15186	Washer, lock	Consult
128043	Screw	Consult
163760	Receptacle shim 3/16 in x 4 in	Consult
192466	Receptacle shim 0.25 in thickness	Consult
192467	Receptacle shim 0.375 in thickness	Consult

## Rebar and Concrete Requirements

Length	Total Feet	Total Pounds	Concrete Required
<b>SURVIVOR OTR Series - Concrete Deck - 10 Foot Width</b>			
10 ft	150 ft	100 lb	2 yd
12 ft	180 ft	120 lb	2.75 yd
15 ft	240 ft	160 lb	3.25 yd
20 ft	304 ft	203 lb	4.5 yd
24 ft	367 ft	245 lb	5.5 yd
40 ft	608 ft	406 lb	9 yd
47 ft	733 ft	490 lb	11 yd
60 ft	912 ft	609 lb	13.5 yd
70 ft	1,100 ft	734 lb	16 yd
80 ft	1,216 ft	812 lb	18 yd
90 ft	1,368 ft	914 lb	20.5 yd
93 ft	1,466 ft	979 lb	21.5 yd
100 ft	1,520 ft	1,015 lb	22.5 yd
117 ft	1,833 ft	1,224 lb	27 yd
120 ft	1,880 ft	1,256 lb	28 yd
130 ft	2,037 ft	1,361 lb	30 yd
140 ft	2,194 ft	1,466 lb	32.5 yd
150 ft	2,351 ft	1,571 lb	35 yd
160 ft	2,508 ft	1,676 lb	37 yd
<b>SURVIVOR OTR Series - Concrete Deck - 11 Foot Width</b>			
10 ft	168 ft	112 lb	2.5 yd
12 ft	218 ft	146 lb	3 yd
15 ft	267 ft	178 lb	3.5 yd
20 ft	340 ft	227 lb	5 yd
24 ft	405 ft	270 lb	6 yd
40 ft	679 ft	454 lb	10 yd
47 ft	809 ft	540 lb	11.5 yd
60 ft	1,019 ft	680 lb	15 yd
70 ft	1,214 ft	811 lb	17.5 yd
80 ft	1,358 ft	907 lb	20 yd
90 ft	1,524 ft	1,021 lb	22.5 yd
93 ft	1,618 ft	1,081 lb	23.5 yd
100 ft	1,698 ft	1,134 lb	25 yd
117 ft	2,023 ft	1,351 lb	29 yd
120 ft	2,075 ft	1,386 lb	30 yd
130 ft	2,248 ft	1,502 lb	32.5 yd
140 ft	2,421 ft	1,618 lb	35 yd
150 ft	2,594 ft	1,734 lb	37.5 yd
160 ft	2,767 ft	1,850 lb	40 yd

Deck Rebar - #4 Grade 60 unless otherwise specified  
 Rebar calculated using 20ft lengths (if additional splices required, add 25in or 2.17lb of rebar per splice)  
 Rebar calculations based on spacing of 16in O/C in both directions

TRUCK SCALES

# SURVIVOR® OTR

Concrete Deck

## Rebar and Concrete Requirements

Length	Total Feet	Total Pounds	Concrete Required
<b>SURVIVOR OTR Series - Concrete Deck - 12 Foot Width</b>			
10 ft	185 ft	124 lb	2.5 yd
12 ft	240 ft	160 lb	3.25 yd
15 ft	294 ft	196 lb	4 yd
20 ft	375 ft	251 lb	5.5 yd
24 ft	443 ft	296 lb	6.5 yd
40 ft	750 ft	501 lb	11 yd
47 ft	885 ft	591 lb	12.5 yd
60 ft	1,125 ft	752 lb	16 yd
70 ft	1,328 ft	887 lb	19 yd
80 ft	1,500 ft	1,002 lb	21.5 yd
90 ft	1,688 ft	1,128 lb	24.5 yd
93 ft	1,770 ft	1,182 lb	25 yd
100 ft	1,875 ft	1,253 lb	27 yd
117 ft	2,213 ft	1,478 lb	31.5 yd
120 ft	2,270 ft	1,516 lb	32.5 yd
130 ft	2,460 ft	1,643 lb	35.5 yd
140 ft	2,650 ft	1,770 lb	38 yd
150 ft	2,840 ft	1,897 lb	41 yd
160 ft	3,030 ft	2,027 lb	44 yd

*Deck Rebar - #4 Grade 60 unless otherwise specified*

*Rebar calculated using 20ft lengths (if additional splices required, add 25in or 2.17lb of rebar per splice)*

*Rebar calculations based on spacing of 16in O/C in both directions*

TRUCK SCALES