



Due to the variety of configurations, please consult the factory to discuss application requirements and for complete specifications and price quotations.

Approvals



Measurement
Canada
Approved

Package includes: Assembled weighbridge modules and weighbridge fasteners; load cells with conduit fitting; load cell mounts with leveling bolts and anchor bolts; copper transient bypass cables at each load cell and between modules; metal conduit on weighbridge for load cell cable runs; poly-coated flexible steel conduit from load cell to metal conduit; conduit fittings from poly-coated flexible steel conduit to metal conduit; PVC junction box(es); homerun cable to indicator (60 ft long); print packages including foundation drawing (pier, floating slab or pit) and installation manual.

Package does not include: Approach coping; foundation alignment posts; rebar and mesh for foundation; indicator; printer; freight charges including material handling; shipping charges, transportation permits and fees, escort(s) charge, and insurance transportation fees.

Standard Features

- Open bottom design
- Longitudinal I-beam construction
- Integrated load cell pockets
- Boltless, top access to load cells and junction box
- Self-seating, P-bracket connection between modules
- G-force mount assemblies return the scale to center without check rods or bumper bolts
- Cables completely encased in rodent-proof conduit
- Thorough finishing process includes cleaning of steel before and after welding, followed by either high solids urethane liquid paint or durable powder paint

Options

- 10 lb division for truck or livestock
- 20 lb division
- 1/2, 3/8, or 1-inch deck plate upgrade
- Schedule 40 guiderails
- Schedule 80 guiderails
- Manhole
- Slotted manhole
- Grain dump
- Dolly down plate
- End cleanout
- Integrate manhole ladder
- Stainless steel load cells
- Tapered links and radius blocks
- Pre-suspended load cells and mounts
- Stainless steel suspension hardware
- Galvanized weighbridge and suspension hardware
- Custom coatings
- 3/8-inch runners
- Roll-off
- Side deflector plates
- Catwalk
- Landing with stairs
- iQUBE2® digital diagnostic junction box bundles

Specifications

Load Cells:

Rice Lake RL75058-LP alloy steel,
Double-ended beam
75,000 lb capacity

Mount Assemblies:

G-force self-checking mounting system

Junction Box:

JB8SPT Tuffseal® polycarbonate NEMA Type 4X enclosure with overlapping solid cover, stainless steel screws

Platform Size:

10 to 160 ft length
10 ft, 11 ft and 12 ft width,
NTEP Certified up to 16.5 ft
(custom length and width available)

Scale Profile:

16.5 in or 18.75 in
(custom profiles available)

Deck Thickness:

5/16 in
(other sizes available)

Full Scale Capacity:

Up to 270,000 lb

Concentrated Load Capacity (CLC):

100,000 lb

Dual Tandem Axle (DTA):

100,000 lb

Warranty:

Weighbridge: 5-year or 12-year limited
Parts: 5-year or 12-year limited, including lightning protection

Approvals:

NTEP 02-003, Class IIII
Measurement Canada AM-5413

SURVIVOR® OTR

Steel Deck

Length/Capacity

Length	Capacity	Est. Weight	Number of Modules	Number of Load Cells	CLC	Part #	Model	Price
OTR - Steel Deck - 10 Foot Width								
10ft	60 tons	5,050 lb	1	4	50 tons	63174	EZ1010-ST-60-OTR	Consult
12ft	60 tons	5,900 lb	1	4	50 tons	96703	EZ1210-ST-60-OTR	Consult
15ft	60 tons	7,300 lb	1	4	50 tons	86272	EZ1510-ST-60-OTR	Consult
20ft	60 tons	8,700 lb	1	4	50 tons	63175	EZ2010-ST-60-OTR	Consult
24ft*	60 tons	10,200 lb	1	4	50 tons	63176	EZ2410-ST-60-OTR	Consult
30ft	60 tons	13,200 lb	1	4	50 tons	71978	EZ3010-ST-60-OTR	Consult
30ft	60 tons	13,200 lb	1	4	50 tons	170118	EZ3010-Rolloff	Consult
40ft	100 tons	16,800 lb	2	6	50 tons	63177	EZ4010-ST-100-OTR	Consult
47ft*	100 tons	19,650 lb	2	6	50 tons	63178	EZ4710-ST-100-OTR	Consult
50ft*	100 tons	20,800 lb	2	6	50 tons	96706	EZ5010-ST-100-OTR	Consult
60ft	100 tons	25,700 lb	3	8	50 tons	63179	EZ6010-ST-100-OTR	Consult
70ft	100 tons	29,600 lb	3	8	50 tons	63206	EZ7010-ST-100-OTR	Consult
72ft	100 tons	30,200 lb	3	8	50 tons	212354	EZ7210-SC-100-OTR	Consult
75ft	100 tons	31,800 lb	3	8	50 tons	86273	EZ7510-ST-100-OTR	Consult
80ft	100 tons	33,650 lb	4	10	50 tons	63180	EZ8010-ST-100-OTR	Consult
90ft	100 tons	37,900 lb	4	10	50 tons	Consult	EZ9010-ST-100-OTR	Consult
93ft*	100 tons	38,800 lb	4	10	50 tons	63181	EZ9310-ST-100-OTR	Consult
100ft	100 tons	41,550 lb	5	12	50 tons	63182	EZ10010-ST-100-OTR	Consult
110ft	100 tons	40,900 lb	5	12	50 tons	Consult	EZ11010-ST-100-OTR	Consult
117ft*	100 tons	49,000 lb	5	12	50 tons	63183	EZ11710-ST-100-OTR	Consult
120ft	100 tons	50,300 lb	6	14	50 tons	153671	EZ12010-ST-100-OTR	Consult
130ft	100 tons	54,500 lb	6	14	50 tons	88525	EZ13010-ST-100-OTR	Consult
140ft	100 tons	58,700 lb	7	16	50 tons	87956	EZ14010-ST-100-OTR	Consult
150ft	100 tons	62,900 lb	7	16	50 tons	152130	EZ15010-ST-100-OTR	Consult
160ft	100 tons	67,100 lb	8	18	50 tons	90900	EZ16010-ST-100-OTR	Consult
OTR - Steel Deck - 11 Foot Width								
10ft	60 tons	5,500 lb	1	4	50 tons	63184	EZ1011-ST-60-OTR	Consult
12ft	60 tons	6,350 lb	1	4	50 tons	96704	EZ1211-ST-60-OTR	Consult
15ft	60 tons	7,700 lb	1	4	50 tons	86274	EZ1511-ST-60-OTR	Consult
20ft	60 tons	9,900 lb	1	4	50 tons	63185	EZ2011-ST-60-OTR	Consult
24ft*	60 tons	11,300 lb	1	4	50 tons	63186	EZ2411-ST-60-OTR	Consult
30ft	60 tons	14,250 lb	1	4	50 tons	72968	EZ3011-ST-60-OTR	Consult
40ft	100 tons	17,700 lb	2	6	50 tons	63187	EZ4011-ST-100-OTR	Consult
47ft*	100 tons	21,500 lb	2	6	50 tons	63188	EZ4711-ST-100-ORT	Consult
50ft*	100 tons	22,200 lb	2	6	50 tons	96707	EZ5011-ST-100-OTR	Consult
60ft	100 tons	28,600 lb	3	8	50 tons	63189	EZ6011-ST-100-OTR	Consult
70ft	100 tons	32,760 lb	3	8	50 tons	63190	EZ7011-ST-100-OTR	Consult
72ft	100 tons	33,900 lb	3	8	50 tons	212355	EZ7211-SC-100-OTR	Consult
75ft	100 tons	35,000 lb	3	8	50 tons	86275	EZ7511-ST-100-OTR	Consult
80ft	100 tons	37,450 lb	4	10	50 tons	63191	EZ8011-ST-100-OTR	Consult
90ft	100 tons	42,200 lb	4	10	50 tons	Consult	EZ9011-ST-100-OTR	Consult
93ft*	100 tons	43,000 lb	4	10	50 tons	63192	EZ9311-ST-100-OTR	Consult
100ft	100 tons	46,300 lb	5	12	50 tons	63193	EZ10011-ST-100-OTR	Consult
110ft	100 tons	49,500 lb	5	12	50 tons	Consult	EZ11011-ST-100-OTR	Consult
117ft*	100 tons	53,600 lb	5	12	50 tons	63194	EZ11711-ST-100-OTR	Consult
120ft	100 tons	55,000 lb	6	14	50 tons	130204	EZ12011-ST-100-OTR	Consult
130ft	100 tons	59,600 lb	6	14	50 tons	105431	EZ13011-ST-100-OTR	Consult
140ft	100 tons	64,200 lb	7	16	50 tons	108651	EZ14011-ST-100-OTR	Consult
150ft	100 tons	68,800 lb	7	16	50 tons	152131	EZ15011-ST-100-OTR	Consult
160ft	100 tons	73,400 lb	8	18	50 tons	109002	EZ16011-ST-100-OTR	Consult

*24ft actual = 23ft 2.5in; 47ft actual = 46ft 6.5in; 93ft actual = 93ft 2.5in; 117ft actual = 116ft 6.5in

NOTE: Shipping rates vary with options and split shipment requirements. Consult factory for current freight estimate.

OTR scales feature undersized dimensions and are designed to fit into existing foundations. Example: 70 x 10ft scale is actually 69ft 10.5in L x 9ft 10.5in W.

TRUCK SCALES

Length/Capacity

Length	Capacity	Est. Weight	Number of Modules	Number of Load Cells	CLC (Tons)	Part #	Model	Price
OTR - Steel Deck - 12 Foot Width								
10 ft	60 tons	6,000 lb	1	4	50 tons	63195	EZ1012-ST-60-OTR	Consult
12 ft	60 tons	6,900 lb	1	4	50 tons	96705	EZ1212-ST-60-OTR	Consult
15 ft	60 tons	8,260 lb	1	4	50 tons	86276	EZ1512-ST-60-OTR	Consult
20 ft	60 tons	10,400 lb	1	4	50 tons	63196	EZ2012-ST-60-OTR	Consult
24 ft*	60 tons	11,900 lb	1	4	50 tons	63197	EZ2412-ST-60-OTR	Consult
30 ft	60 tons	15,200 lb	1	4	50 tons	125020	EZ3012-ST-60-OTR	Consult
40 ft	100 tons	19,800 lb	2	6	50 tons	63198	EZ4012-ST-100-OTR	Consult
47 ft*	100 tons	22,800 lb	2	6	50 tons	63199	EZ4712-ST-100-ORT	Consult
50 ft*	100 tons	23,700 lb	2	6	50 tons	96708	EZ5012-ST-100-OTR	Consult
60 ft	100 tons	30,400 lb	3	8	50 tons	63200	EZ6012-ST-100-OTR	Consult
70 ft	100 tons	34,750 lb	3	8	50 tons	63201	EZ7012-ST-100-OTR	Consult
72 ft	100 tons	34,600 lb	3	8	50 tons	212356	EZ7212-SC-100-OTR	Consult
75 ft	100 tons	36,300 lb	3	8	50 tons	86277	EZ7512-ST-100-OTR	Consult
80 ft	100 tons	39,850 lb	4	10	50 tons	63202	EZ8012-ST-100-OTR	Consult
90 ft	100 tons	44,850 lb	4	10	50 tons	Consult	EZ9012-ST-100-OTR	Consult
93 ft*	100 tons	45,650 lb	4	10	50 tons	63203	EZ9312-ST-100-OTR	Consult
100 ft	100 tons	50,300 lb	5	12	50 tons	63204	EZ10012-ST-100-OTR	Consult
110 ft	100 tons	54,600 lb	5	12	50 tons	Consult	EZ11012-ST-100-OTR	Consult
117 ft*	100 tons	57,600 lb	5	12	50 tons	63205	EZ11712-ST-100-OTR	Consult
120 ft	100 tons	59,100 lb	6	14	50 tons	120939	EZ12012-ST-100-OTR	Consult
130 ft	100 tons	64,000 lb	6	14	50 tons	152132	EZ13012-ST-100-OTR	Consult
140 ft	100 tons	68,950 lb	7	16	50 tons	152133	EZ14012-ST-100-OTR	Consult
150 ft	100 tons	73,900 lb	7	16	50 tons	152134	EZ15012-ST-100-OTR	Consult
160 ft	100 tons	78,850 lb	8	18	50 tons	152135	EZ16012-ST-100-OTR	Consult

*24 ft actual = 23 ft 2.5 in; 47 ft actual = 46 ft 6.5 in; 93 ft actual = 93 ft 2.5 in; 117 ft actual = 116 ft 6.5 in

NOTE: Shipping rates vary with options and split shipment requirements. Consult factory for current freight estimate.

OTR scales feature undersized dimensions and are designed to fit into existing foundations. Example: 70 x 10ft scale is actually 69ft 10.5in L x 9ft 10.5in W.

Clearance Under Scale

Profile	Clearance Under Scale
16.50 in	4.19 in
18.75 in	6.44 in
20.75 in	8.44 in
24.00 in	11.69 in

NOTE: Additional profiles available upon request



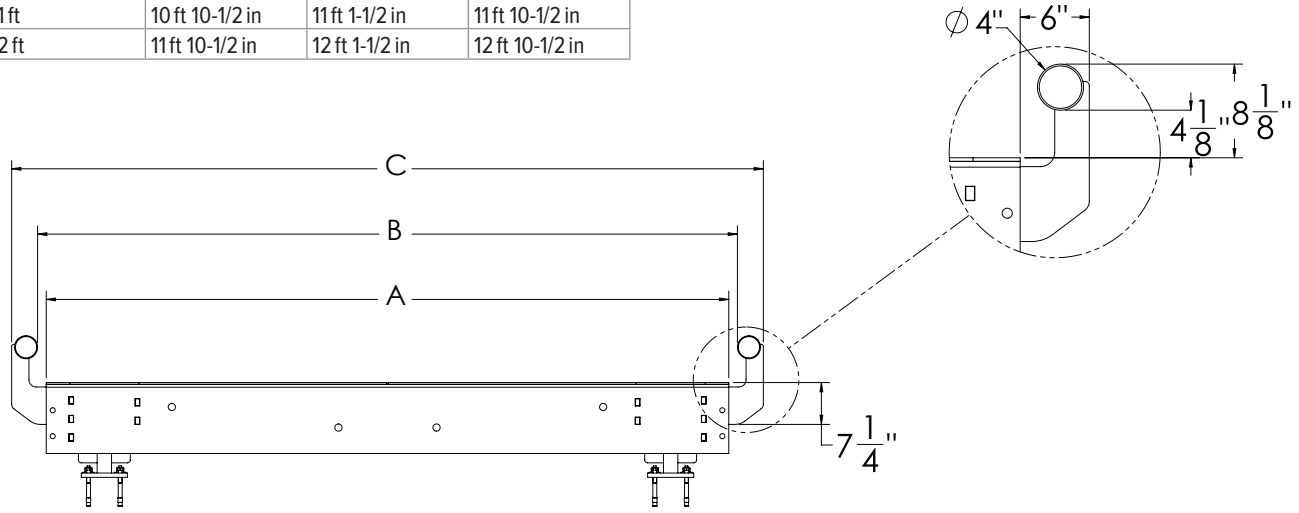
TRUCK SCALES

SURVIVOR® OTR

Steel Deck

Guiderail Dimensions

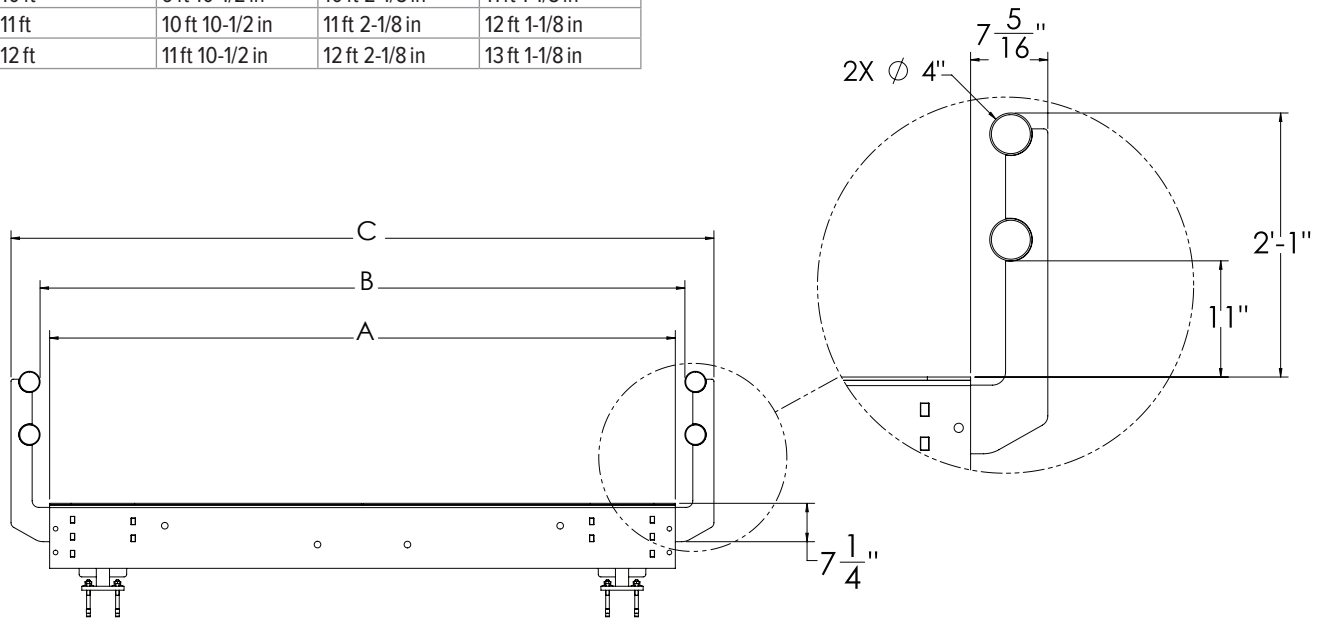
Width	A	B	C
10 ft	9 ft 10-1/2 in	10 ft 1-1/2 in	10 ft 10-1/2 in
11 ft	10 ft 10-1/2 in	11 ft 1-1/2 in	11 ft 10-1/2 in
12 ft	11 ft 10-1/2 in	12 ft 1-1/2 in	12 ft 10-1/2 in



OTR END VIEW

Guiderail Dimensions

Width	A	B	C
10 ft	9 ft 10-1/2 in	10 ft 2-1/8 in	11 ft 1-1/8 in
11 ft	10 ft 10-1/2 in	11 ft 2-1/8 in	12 ft 1-1/8 in
12 ft	11 ft 10-1/2 in	12 ft 2-1/8 in	13 ft 1-1/8 in



OTR END VIEW

TRUCK SCALES

Part Number/Price

Part #	Description	Price
Foundation Components		
Varied	Approach coping (up to 14 ft long)	Consult
Varied	Pit coping (specify length)	Consult
Scale Components		
18799	T-grip molding	Consult/ft
108236	10 ft steel T-strip molding, 4 × 2.18 in	Consult
101800	11 ft steel T-strip molding, 4 × 2.18 in	Consult
107048	12 ft steel T-strip molding, 4 × 2.18 in	Consult
Varied	Manhole option	Consult
Varied	Slotted manhole option	Consult
Varied	End cleanout—removable piece of treadplate located on both ends of scale for cleanout purposes	Consult
N/A	4-section portability kit	Consult
N/A	5-section portability kit	Consult
69286	Shim kit (1 per section required)	Consult
109427	Truck scale mount centering gauge alignment tool	Consult
177722	Truck scale mount centering gauge alignment tool 125,000 lb	Consult
130829	iQUBE ² ® bundle, 6 to 8 load cells includes 920i [®]	Consult
130830	iQUBE ² bundle, 10 to 12 load cells includes 920i [®]	Consult
188936	iQUBE ² bundle, 6 to 8 load cells includes 1280	Consult
188939	iQUBE ² bundle, 10 to 12 load cells includes 1280	Consult
Guiderails		
Varied	4 in yellow guiderail attached to both sides of scale (8 in overall height)	Consult
Varied	4 in yellow, double guiderails attached to both sides of scale (25 in overall height)	Consult
Varied	Approach guiderails	Consult
Stainless Steel Welded-Seal Load Cells*		
SSH-4	4 cell system	Consult
SSH-6	6 cell system	Consult
SSH-8	8 cell system	Consult
SSH-10	10 cell system	Consult
SSH-12	12 cell system	Consult
SSH-14	14 cell system	Consult

* Replaces tool steel load cells with welded-seal stainless steel load cells

TRUCK SCALES

SURVIVOR® OTR

Steel Deck

Part Number/Price

Part #	Description	Price
Spare Parts		
197781	RL75058-LP, double-ended beam load cell, 75,000 lb capacity, NTEP Certified	Consult
197782	RL75058-LP, double-ended beam load cell, 60 ft stainless steel overbraid cable, 75,000 lb, NTEP Certified	Consult
197780	RL75058-LP, double-ended beam load cell, 100 ft cable, 75,000 lb NTEP Certified	Consult
197802	65058S75K-1000 load cell with 60 ft of cable, stainless steel welded seal	Consult
91783	JB8SPT signal trim, 8-channel with expansion and transient protection	Consult
98124	JB8SPT signal trim, 8-channel with expansion and transient protection in stainless steel NEMA Type 4 enclosure	Consult
17780	16 in trimmed ground strap	Consult
45716	58.75 ft, 6 wire homerun cable	Consult
50101	Truck scale rocker link	Consult
67290	Bottom load plate mount radius block	Consult
69203	Primer touch-up paint	Consult
91578	Yellow touch-up paint	Consult
66953	Red touch-up paint	Consult
107527	Rocker link 75,000 lb painted, self centering	Consult
110804	Block, self centering	Consult
68842	75,000 lb OTR mount base weldment 6.09 in tall	Consult
69126	75,000 lb OTR mount base weldment 8.34 in tall	Consult
74626	75,000 lb OTR mount base weldment 10.75 in profile	Consult
171119	Spacer block installation tool with grip handle	Consult
85667	Stainless steel anchors for 75,000 lb mounts	Consult
41973	Mild steel anchors for 75,000 lb mounts	Consult
128042	Stainless steel load cell bolts	Consult
15186	Stainless steel flat washers	Consult
128043	Stainless steel leveling bolts	Consult
130908	1.5 x 9.5 in P-bracket pin (old style OTR made prior to 2010)	Consult
64845	1.75 x 9.5 in P-bracket pin (new style made after 2010)	Consult
15294	Spring pin 3/8 x 2 in roll pin for P-bracket pin (2 required)	Consult
109427	75,000 alignment tool	Consult
177722	125,000 alignment tool	Consult
128042	Bolt, 1-12 UNF x 4 hex head	Consult
15186	Washer, lock	Consult
128043	Screw	Consult
163760	Receptacle shim 3/16 in x 4 in	Consult
192466	Receptacle shim 0.25 in thickness	Consult
192467	Receptacle shim 0.375 in thickness	Consult

TRUCK SCALES