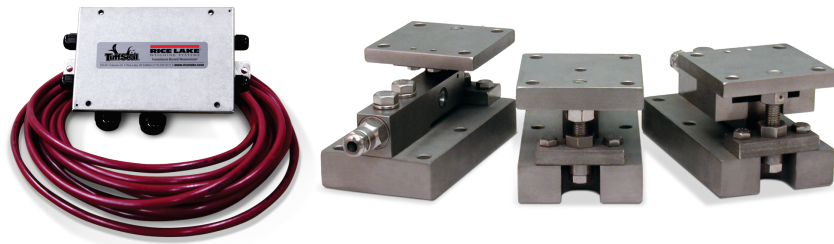


SURVIVOR Paramounts® HE

Medium-capacity Weigh Module Systems



Picture is a representation of actual product.

SURVIVOR®
WEIGH MODULES

Order Information

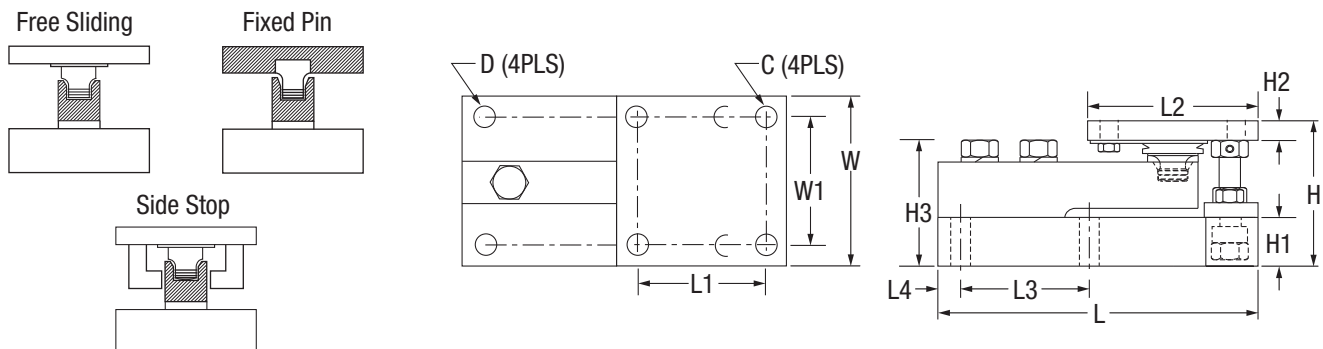
Load Rating (Per Module)	Part #	Price
NTEP Certified/OIML C3 3-Module Kit		
5 kN	29883	Consult
10 kN	29884	Consult
23 kN	29885	Consult
50 kN	29886	Consult
NTEP Certified/OIML C3 4-Module Kit		
5 kN	29879	Consult
10 kN	29880	Consult
23 kN	29881	Consult
50 kN	29882	Consult
Non-NTEP Certified 3-Module Kit		
5 kN	17991	Consult
10 kN	17992	Consult
23 kN	17993	Consult
50 kN	17994	Consult
100 kN	17995	Consult
Non-NTEP Certified 4-Module Kit		
5 kN	17998	Consult
10 kN	17999	Consult
23 kN	18000	Consult
50 kN	18001	Consult
100 kN	18002	Consult
*Conduit adapter, 1/2-14 NPT	17703	Consult

*Must be factory installed

Dimensions

Rated Capacity	C	D	H	H1	*H2	**H2	H3	L	L1	L2	L3	L4	W	W1
kN/in														
5 to 23	0.44	0.44	3.58	1.25	0.50	0.75	3.06	7.51	3.00	4.00	3.00	0.50	4.00	3.00
50	0.56	0.56	4.66	1.50	0.62	1.00	4.09	9.19	3.87	5.00	3.87	0.56	5.00	3.87
100	0.69	0.69	6.41	2.00	0.75	1.25	5.73	11.46	4.75	6.00	4.75	0.69	6.00	4.75

*Side stop and free sliding units **Fixed pin units



Complete Kit Includes

- One fixed-pin module, one side-stop module, and one or two free-sliding assemblies. Each module is complete with a Flintec SB4 stainless steel hermetically sealed load cell.
- One JB4SS NEMA Type 4X stainless steel signal trim junction box
- 25 ft of our hostile environment EL147HE SURVIVOR load cell cable

Standard Features

- All stainless steel construction
- Bolt-in-place design; module bolts directly to tank leg without requiring additional load buttons or mounting plates
- Load cell outputs are mV/V/ohm calibrated to minimize maintenance costs
- Unique design allows for thermal expansion/contraction
- Low-profile, self-checking design
- Jacking screw allows empty vessel to be lifted clear of load cell for maintenance
- Unique patented blind load hole technology minimizes unwanted side and eccentric loading
- Vessel is free to slide laterally on PTFE-coated surfaces

Applications

- Medium-capacity blenders and tanks
- Batching/blending
- Pharmaceutical processing
- Food processing
- Petroleum refining and batching

Load Cell Approvals

