



Picture is a representation of actual product

**Approvals**

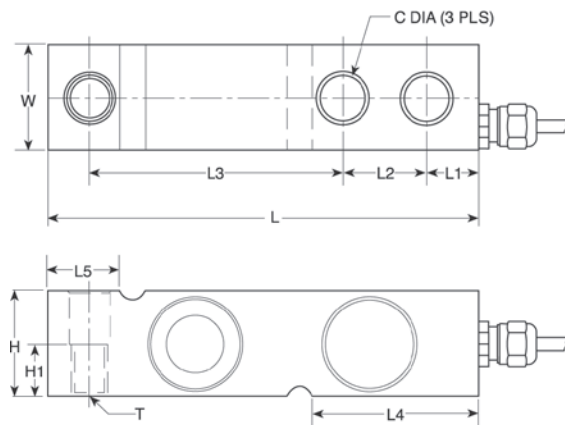


**Order Information**

Load Rating	Part #	Est. Weight	Price
1,000 lb	<b>36458</b>	3 lb	Consult
1,500 lb	<b>36459</b>	3 lb	Consult
2,500 lb	<b>36460</b>	3 lb	Consult
4,000 lb	<b>36461</b>	3 lb	Consult

**Dimensions**

Rated Capacity	C	C1	H	H1	L	L1	L2	L3	L4	L5	T	W
lb/in												
1,000 to 4,000	0.53	0.53	1.26	0.63	5.12	0.62	1.00	3.00	1.97	0.91	1/2-14 UNF	1.26



**Interchangeable Products**

- VPG® SENSORTRONICS®  
**65083**.....page 300
- VPG® CELTRON  
**SQB-HSS**.....page 206

**Weigh Module Available**

- RICE LAKE WEIGHING SYSTEMS  
**RL1700 HE**.....page 33

**Specifications**

- Full Scale Output:**  
3.0 mV/V
- Output Resistance:**  
350 (± 3) ohm
- Input Resistance:**  
415 (± 15) ohm
- Material/Finish:**  
Stainless steel
- Temperature:**  
Compensated range  
14 °F to 104 °F (-10 °C to 40 °C)  
Operating range  
0 °F to 150 °F (-18 °C to 65 °C)
- Seal Type:**  
Welded-seal, IP68
- Safe Overload:**  
150% full scale
- Safe Sideload:**  
100% full scale
- Rated Excitation:**  
5 to 10 VDC (15 V maximum)
- Combined Error:**  
0.02% full scale
- Insulation Resistance:**  
1,000 megohm
- Deflection at Capacity:**  
0.015 in
- Cable Length:**  
5 m
- Cable Diameter:**  
0.220 in  
Polyurethane jacket
- Cable Color Code:**  
Blue +Excitation  
Black -Excitation  
White +Signal  
Red -Signal  
Green +Sense  
Gray -Sense
- Warranty:**  
One-year limited
- Approvals:**  
cFMus  
NTEP

VPG  
TEDEA-HUNTLEIGH