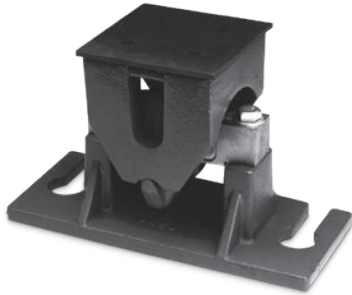


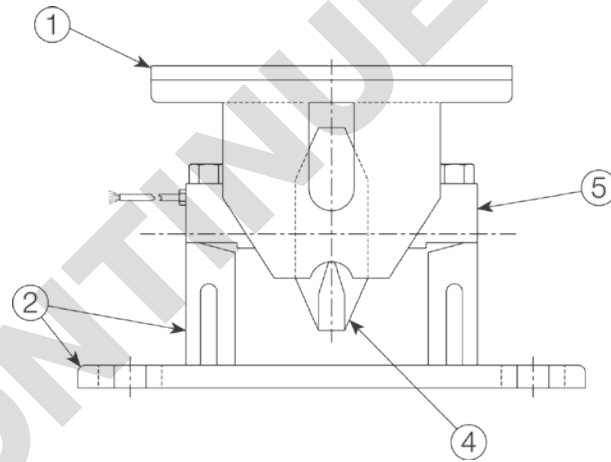
# TSA Truck Scale Assembly



## Part Number/Price

Ref#	Part#	Description	Price
<b>Rated Capacity: 10,000 lb - 25,000 lb</b>			
1	21705	Rubber pad	Consult
2	18471	Base stand	Consult
4	18473	Load link	Consult
5	17287	Load cell, Sensortronics 65058 - 10,000 lb	Consult
	41890	Load cell, RL75058 - 10,000 lb	Consult
	34314	Load cell, RL75058 - 20,000 lb	Consult
	34315	Load cell, RL75058 - 25,000 lb	Consult
<b>Rated Capacity: 50,000 lb - 75,000 lb</b>			
1	21706	Rubber pad	Consult
2	18472	Base stand	Consult
4	34317	Load cell, RL75058 - 50,000 lb	Consult
	34318	Load cell, RL75058 - 60,000 lb	Consult
	34319	Load cell, RL75e058 - 75,000 lb	Consult

(See Diagram TSA-A)



TSA-A