

UJB3T6 DC

Transient Protection



Standard Features

- Protects load cells from voltage transients
- Compatible with signals down to 1 μ V per grad
- Factory serviceable
- Full six-wire with shield protection
- #6 SEMS screw type; accepts spade lugs, tinned leads or bare wires up to #12 AWG
- Up to eight parallel or summed load cells

Applications

- Installations exposed to significant transients
- Protects serial communication lines
- Protects load cells

Specifications

Protection Type:

Six-wire type with separate shield

Maximum Excitation Voltage:

20 VDC or 20 VAC

Clamping Voltage:

75 VDC or 75 VAC

Clamping Time:

75 VDC Stages <100 nanoseconds typical

Peak Surge Currents:

75 VDC Stage, 5,000 amps

Maximum Serial Transmission Rate:

50K baud

Series Resistance:

0.219 ohm typical

Series Inductance:

110 μ H typical

Grounding:

20 ft insulated #10 AWG wire

Cable Fitting:

(2) Nylon strain relief for 0.079 to 0.236 in diameter cable

Enclosure:

NEMA Type 4X, maximum 40 psi washdown
Fiberglass Reinforced Polyester (FRP)

Temperature:

Operating:
4 °F to 104 °F (-10 °C to 40 °C)

Circuit Board:

6.75 \times 4.75 in with anti-fungal coating

Dimensions:

(L \times W \times H)
7.63 \times 6.63 \times 3.25 in

Warranty:

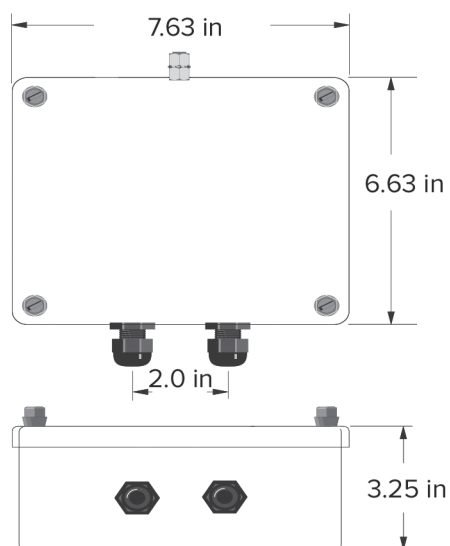
One-year limited

Part Number/Price

Part #	Description	Price
21134	UJB3T6	Consult

Options/Accessories

Part #	Description	Price
21135	Six-wire load cell transient protector, board only	Consult



JUNCTION BOXES / SIMULATORS