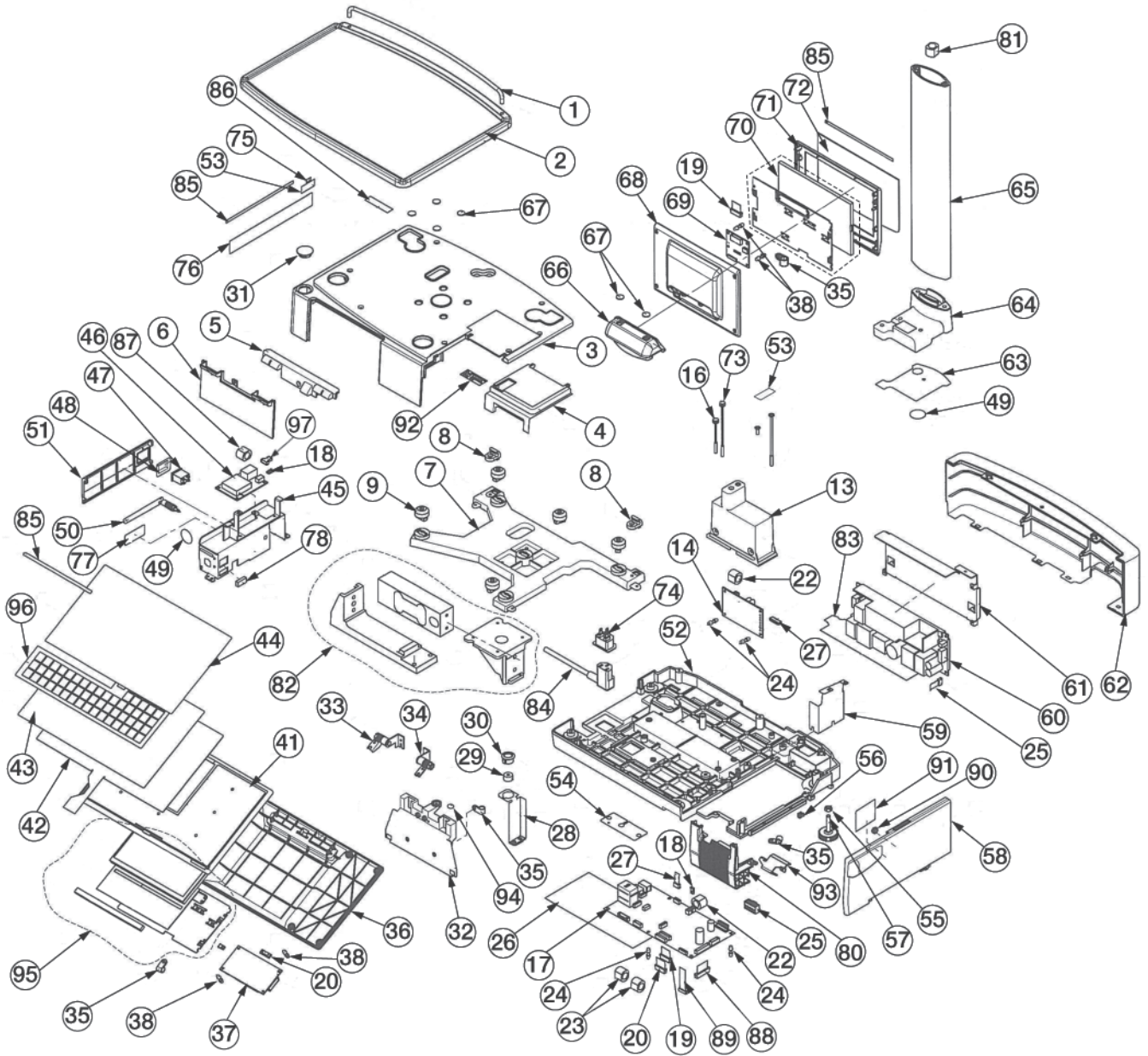


Uni-5 Pole



Part Number/Price

Ref #	Part #	Description	Synonym	Price
1	129419	Guide plate, backstop	089-4984-08	Consult
—	50157	Screws for backstop PN 129419 M4-0.7x10 pan head w/lock washer SST	089-4984-08	Consult
2	129418	Platter, 30 lb	089-4960-18	Consult
	158515	Platter, 60 lb	089-7833-00	Consult
3	Consult	Case main upper	089-5753-08	Consult
4	158073	Cover printer upper	089-5757-02	Consult
5	158074	Cover hinge upper	089-5758-06	Consult
—	185489	Screw, countersink, M3x16		Consult
6	158075	Cover hinge lower	089-5759-00	Consult
7	Consult	Platter support	089-4959-04	Consult
8	119505	Block B hinge platter	089-4964-12	Consult
9	168713	Rubber platter support, 30 lb	089-4963-00	Consult
	193397	Rubber platter support, 60 lb	089-6548-04	Consult
13	Consult	Case A/D board	089-4996-02	Consult
14	119145	PWB P-999B, A/D board	089-5825-11	Consult
16	126464	Screw seal hex	089-5835-00	Consult
17	130235	PWB PK-270C, main CPU	089-6858-09	Consult
18	163384	Harness S2 5V power	089-5636-05	Consult
19	156608	Harness S2 rear LCD	089-5645-18	Consult
20	163775	Harness S2 front LCD	089-5630-12	Consult
22	Consult	Ferrite core	089-6532-05	Consult
23	Consult	Ferrite core	089-6532-05	Consult
24	41734	Accessory PWB guide space	000-1795-01	Consult
25	190576	Harness S2 24V DC power	089-5634-08	Consult
26	187656	Sheet insulation	089-5727-01	Consult
27	Consult	Harness C2 A/D	089-5627-01	Consult
28	Consult	Bracket level	089-4968-08	Consult
29	44425	Level unit	900-5727-05	Consult
30	44455	Frame level	089-0930-02	Consult
31	42857	Level lens	089-1219-01	Consult
32	168773	Bracket torque hinge	089-4967-04	Consult
33	156446	Hinge, left	089-5505-01	Consult
34	156447	Hinge, right	089-5506-04	Consult
—	45519	M3x8 tapping screw	000-0353-05	Consult
—	178863	Keyboard support hinge kit (4 screws, 2 plates)		Consult
35	132394	Ground clamp	089-5810-07	Consult
36	152664	Case rear control	089-6412-01	Consult
37	119154	PWB PK-261A, keyboard/display controller	089-5614-03	Consult
38	132395	Accessory PCB support	116-6895-05	Consult
41	152663	Case front control	089-6421-05	Consult
42	119155	Keyboard membrane	089-5682-16	Consult
43	119156	Sheet keyboard programming	089-4946-06	Consult
44	151525	Cover keyboard, transparent overlay	089-6795-08	Consult
45	Consult	Bracket connector assembly	089-6884-06	Consult
46	119158	PWB PK-265A RF wireless card, Wi-Port	089-6679-09	Consult
47	161916	Harness C4 switch assembly	089-5638-11	Consult
48	130811	Cover switch	089-5591-01	Consult
49	Consult	Sticker seal	075-1264-01	Consult
50	119159	Antenna, WiFi	089-5639-06	Consult
51	Consult	Cover bracket connector	089-5755-05	Consult
52	Consult	Base	089-5814-20	Consult
53	126461	Sticker void	089-4988-02	Consult
54	159797	Plate B RS-232C	089-5516-01	Consult
55	125462	Nut, hex M6 SST	089-5516-01	Consult
56	158076	Block B hinge side cover	089-5761-08	Consult
57	130813	Foot adjust	089-5083-06	Consult
58	158077	Cover side	089-5756-18	Consult
59	Consult	Cover harness	089-4987-09	Consult



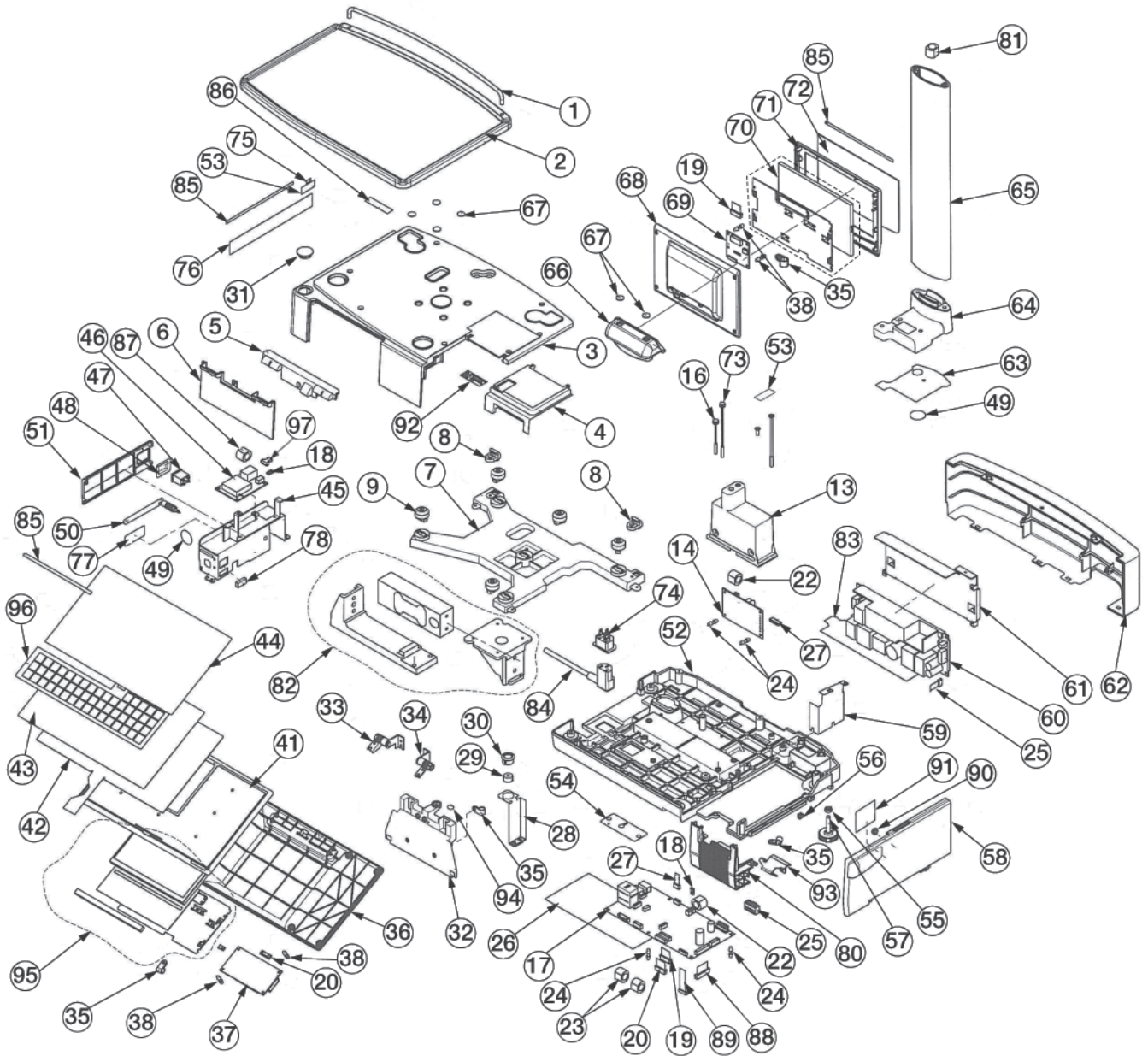
Printing Scales

Uni-5 Pole



Part Number/Price

Ref #	Part #	Description	Synonym	Price
60	119160	Power supply	079-1225-04	Consult
61	Consult	Bracket power	089-4995-09	Consult
62	184731	Case rear pole	089-6406-18	Consult
63	175669	Plate B bracket pole	089-4954-15	Consult
64	175671	Bracket pole stand	089-6590-01	Consult
65	175672	Pole stand	089-6259-35	Consult
66	175673	Case link pole	089-6415-02	Consult
67	174042	Cap	089-4983-04	Consult
68	175674	Case rear pole display	089-6414-09	Consult
69	119161	PWB PK-263A, customer display	089-5615-07	Consult
70	119162	LCD, customer display	089-5623-16	Consult
71	175675	Case front pole display	089-6413-05	Consult
72	160484	Sheet display panel	089-6787-08	Consult
73	126463	Screw seal hex head long	089-5834-06	Consult
74	203992	Harness C2 power assembly	089-5633-04	Consult
75	Consult	Sticker M	044-8464-00	Consult
77	Consult	Sticker location output	089-6784-07	Consult
78	Consult	Gasket 20 mm	089-5728-04	Consult
80	156658	Cover cassette	089-6482-02	Consult
81	175676	Ferrite core	089-6531-01	Consult
82	119164	Load cell assembly, 30 lb	089-6149-01	Consult
	158516	Load cell assembly, 60 lb	089-6924-01	Consult
83	Consult	Sheet insulation power supply	089-6353-14	Consult
84	119506	Power cord, 90 degree molded	089-5787-04	Consult
85	151522	Decal, capacity statement, 30 lb	089-5064-05	Consult
	Consult	Decal, capacity statement, 60 lb	089-7994-06	Consult
87	Consult	Ferrite core	089-6889-04	Consult
88	167053	Harness C2, thermal head	089-5632-10	Consult
89	130237	Harness C3, sensors, includes label gap sensor	089-6665-07	Consult
90	170497	Magnet	089-6486-07	Consult
—	180762	Screw, M3x4 mm tapping	400-000-2424-00	Consult
91	170498	Sticker label threading	089-6840-02	Consult
92	Consult	Sticker important	089-6857-05	Consult
93	170499	Bracket label peel	089-6892-06	Consult
94	80990	Plate A cover	089-4042-00	Consult
95	119165	Front LCD assembly, operator	089-6678-05	Consult
96	130815	Sheet keyboard - operation insert	089-5508-11	Consult
97	130816	Harness S2 LAN	089-5637-09	Consult
999	167774	In use key cover		Consult
999	160471	Complete operator keyboard/display assembly	000-089-6839-08	Consult



Printing Scales