

# Uni-7

Bench and Pole, Label Cassette



Uni-7 Bench



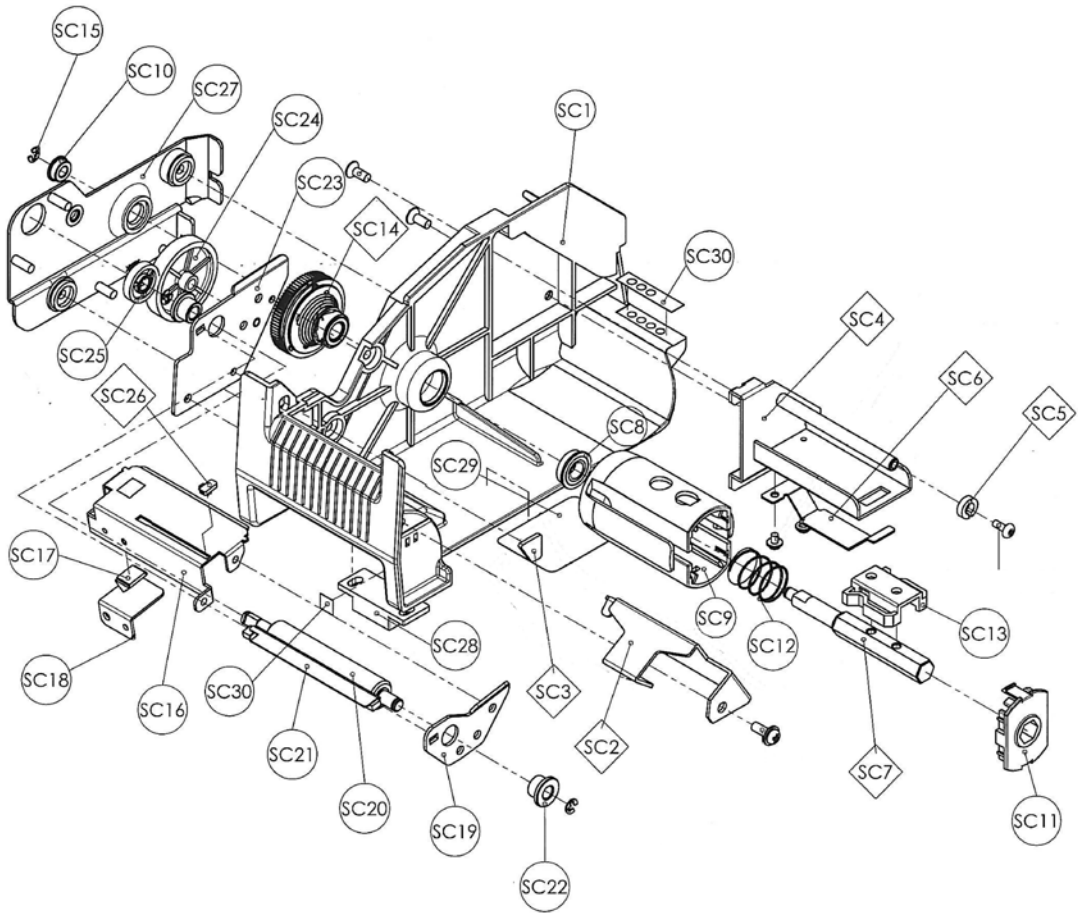
Uni-7 Pole

## Part Number/Price

Ref #	Part #	Description	Synonym	Price
ASSY	110996	Label cassette, complete assembly	089-5215-01	Consult
ASSY	153320	Label Cassette, complete assy, linerless	000-089-6630-07	Consult
SC1	169005	Frame cassette	089-5543-21	Consult
SC2	131411	Bracket label peel	089-6788-01	Consult
SC3	131413	Plate A, adhesive	089-6790-00	Consult
SC4	170795	Holder as label roll	089-6783-03	Consult
SC5	173893	Guide label	089-5080-05	Consult
—	41732	Screw, M4x6, pan head Phillips	00-0237-06	Consult
SC6	180555	Lever label guide	089-6782-00	Consult
SC7	Consult	Shaft step bobbin	089-6791-03	Consult
SC8	Consult	Bearing large circle	089-5666-07	Consult
SC9	162104	Bobbin roll	089-5550-09	Consult
SC10	93342	Bush	064-0058-19	Consult
SC11	167494	Cover roll	089-5551-02	Consult
SC12	162103	Spring coil compression	089-5560-06	Consult
SC13	162102	Stopper holder label	089-5554-03	Consult
SC14	165181	Torque limiter assembly	089-6591-05	Consult
SC15	46986	E-ring, 3 mm M3	000-0287-02	Consult
SC16	196395	Guide, label table	089-5557-04	Consult
	181002	Guide, label table, linerless	089-6637-02	Consult
SC17	131415	Block B prism	089-5556-01	Consult
SC18	131416	Bracket prism	089-5561-00	Consult
SC19	180556	Frame right	089-5546-03	Consult
SC20	119171	Roller printer	089-5544-15	Consult
	181000	Roller, print roller, linerless	089-6636-18	Consult
SC21	172963	Peel shaft assy	089-5548-01	Consult
	181001	Peel shaft assy, label, linerless	089-6685-01	Consult
SC22	131419	Bush	089-5597-12	Consult
SC23	Consult	Frame left	089-5545-19	Consult
SC24	119507	Gear flat large	089-5547-07	Consult
SC25	93341	Gear flat small	063-8269-29	Consult
SC26	119508	Guide label	089-5558-26	Consult
SC27	204560	Cover gear	089-5552-06	Consult
SC28	131421	Catch magnetic	117-9647-06	Consult
SC29	Consult	Sticker label setting	089-5564-01	Consult
SC30	126462	Sticker cassette	089-5563-07	Consult

# Uni-7

Bench and Pole, Label Cassette



Printing Scales