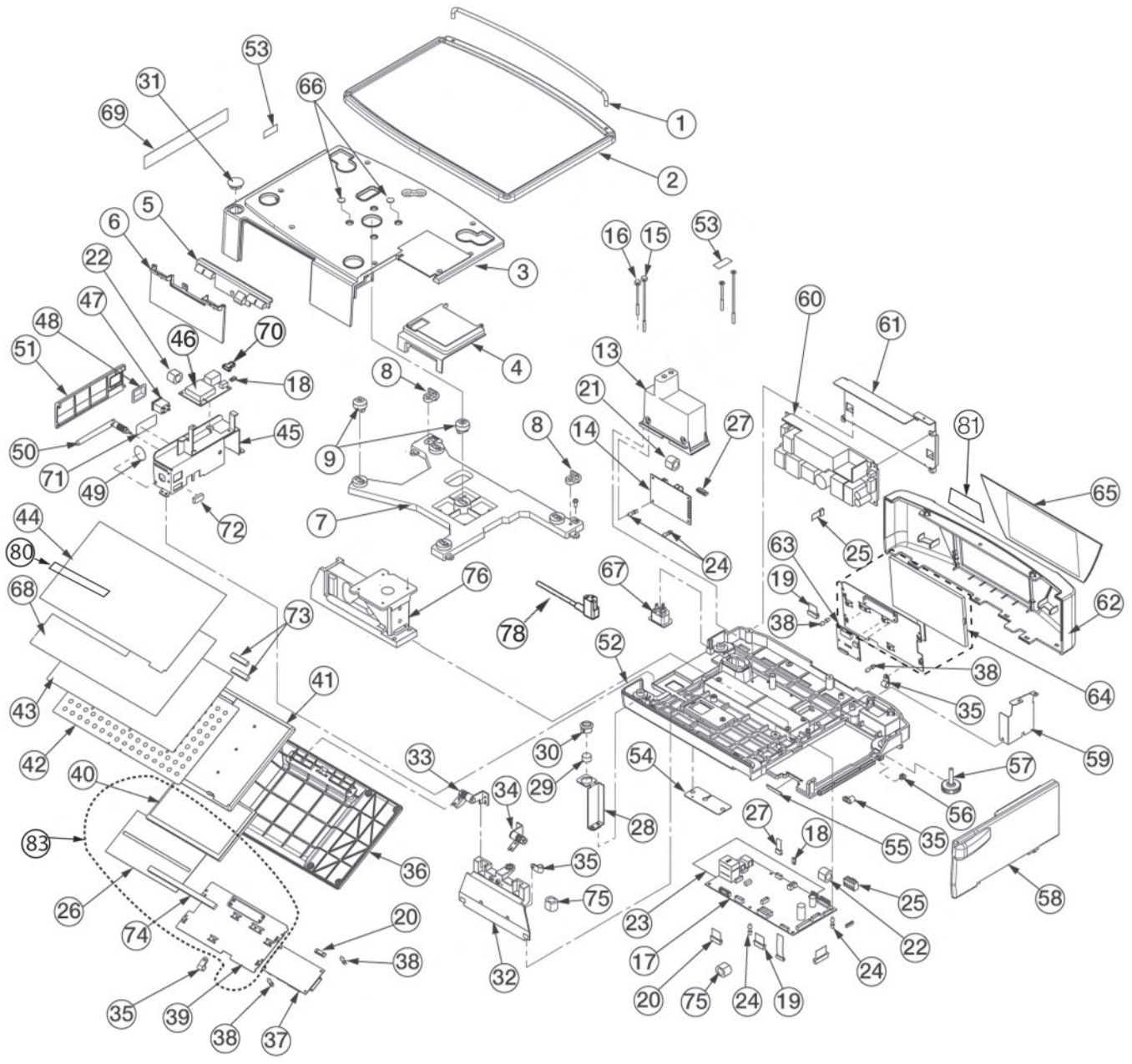




Part Number/Price

Ref #	Part #	Description	Synonym	Price
1	129419	Guide platter	089-4984-08	Consult
—	50157	Screw, platter guide M4-0.7x10 pan head w/lock washer SST	089-4984-08	Consult
2	129418	Platter, 30 lb	089-4960-18	Consult
	158515	Platter, 60 lb	089-7833-00	Consult
3	179264	Case main upper 30 lb	089-4971-19	Consult
	Consult	Case main upper 60 lb	400-000-0401-00	Consult
4	130062	Cover printer upper	089-4976-17	Consult
	181003	Cover printer upper, linerless	089-6634-01	Consult
5	171673	Cover hinge upper	089-4991-13	Consult
—	185489	Screw, countersink, M3x16		Consult
6	171674	Cover hinge lower	089-5515-17	Consult
7	Consult	Platter support, spider	089-4959-04	Consult
8	119505	Block B hinge platter	089-4964-12	Consult
9	168713	Rubber platter support, 30 lb	089-4963-00	Consult
	193397	Rubber platter support, 60 lb	089-6548-04	Consult
13	Consult	Case A/D board	089-4996-02	Consult
14	119145	PWB P-999B A/D board	089-5825-11	Consult
15	126463	Screw seal hex long	089-5834-06	Consult
16	126464	Screw seal hex short	089-5835-00	Consult
17	174108	PWB PK-260B main CPU, SD, 4M	400-000-1774-00	Consult
18	163384	Harness S2 5V power RF	089-5636-05	Consult
19	132393	Harness S2 rear LCD	089-5631-16	Consult
20	163775	Harness S2 front LCD	089-5630-12	Consult
21	Consult	Ferrite core	089-5812-04	Consult
	Consult	Ferrite core 60 lb	089-6888-01	Consult
22	Consult	Ferrite core	089-5811-01	Consult
	Consult	Ferrite core 60 lb	089-6889-04	Consult
23	187656	Sheet insulation	089-5727-01	Consult
24	41734	Accessory PWB guide space	000-1795-01	Consult
25	190576	Harness S2 24V DC power	089-5634-08	Consult
27	Consult	Harness C2 A/D	089-5627-01	Consult
28	Consult	Bracket level	089-4968-08	Consult
29	Consult	Level unit	001-6278-08	Consult
	44425	Level unit 60 lb	900-5727-05	Consult
30	Consult	Frame level	011-2648-07	Consult
	Consult	Frame level 60 lb	089-0930-02	Consult
31	42857	Level lens	089-1219-01	Consult
32	168773	Bracket torque hinge	089-4967-04	Consult
33	156446	Hinge, left	089-5505-01	Consult
34	156447	Hinge, right	089-5506-04	Consult
—	45519	M3x8 tapping screw	000-0353-05	Consult
—	178863	Keyboard support hinge kit (4 screws, 2 plates)		Consult
35	132394	Ground clamp	089-5810-07	Consult
36	152445	Case rear control	089-4945-11	Consult
	Consult	Case rear control 60 lb	400-000-0403-00	Consult
—	179568	Washer screw, M3x8	400-000-0487-00	Consult
37	119154	PWB PK-261A keyboard/display controller	089-5614-03	Consult
38	132395	Accessory PCB support	116-6895-05	Consult
41	152444	Case front control	089-4944-27	Consult
	Consult	Case front control 60 lb	400-000-0402-00	Consult
42	119155	Keyboard membrane, contacts only	089-5682-16	Consult
43	119156	Sheet keyboard-programming	089-4946-06	Consult
44	119157	Cover keyboard transparent overlay	089-4947-37	Consult
45	Consult	Bracket connector assembly	089-5504-07	Consult
46	119158	PWB PK-265A RF wireless card, Wi-Port	089-6679-09	Consult
47	161916	Harness C4 switch assembly	089-5638-11	Consult
48	130811	Cover switch	089-5591-01	Consult
50	119159	Antenna	089-5639-06	Consult
51	130812	Cover bracket connector	089-4974-10	Consult



Printing Scales

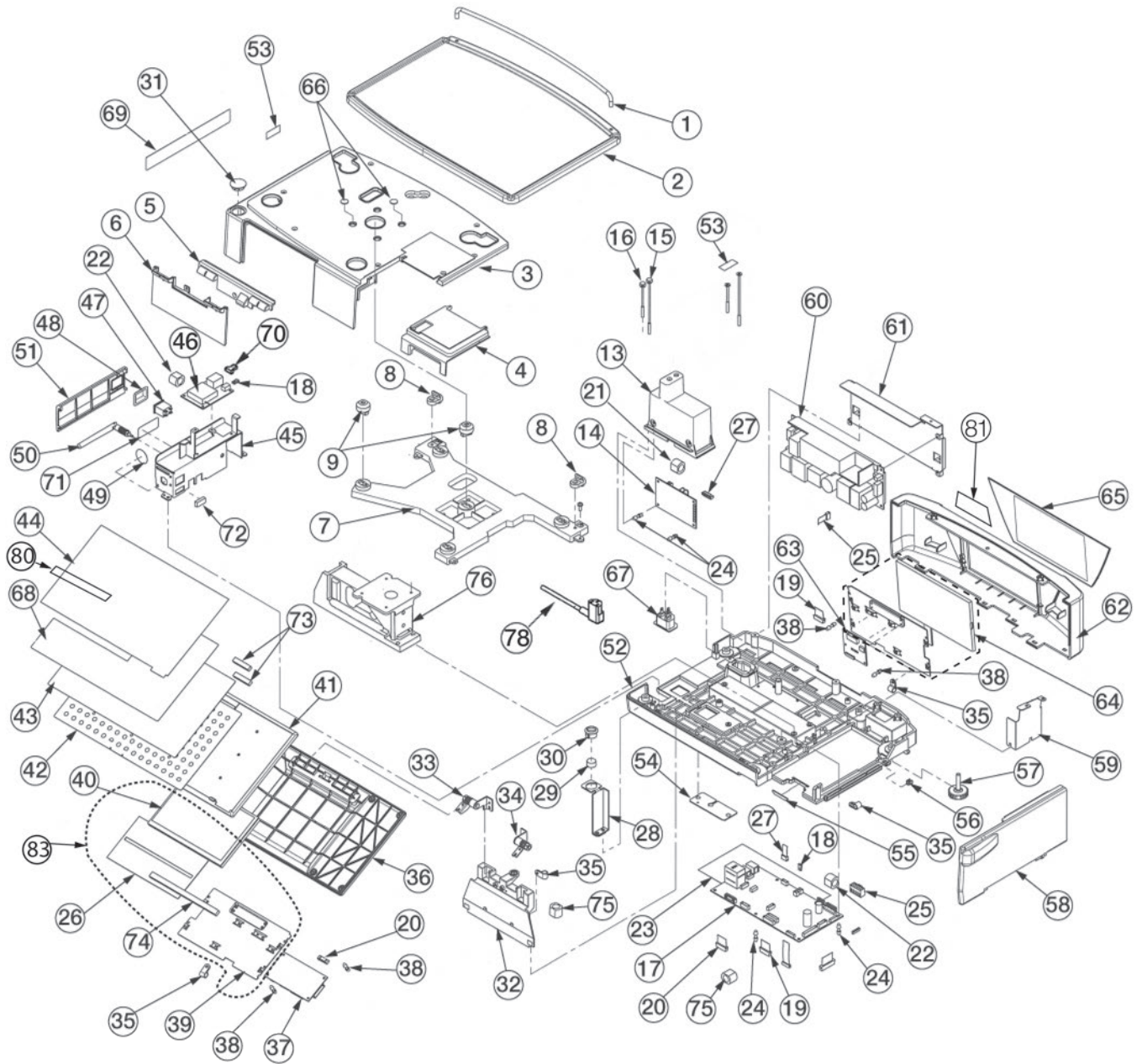
Uni-7

Bench



Part Number/Price

Ref #	Part #	Description	Synonym	Price
52	Consult	Base	089-4957-07	Consult
53	126461	Sticker void	089-4988-02	Consult
54	159797	Plate B RS-232C	089-5516-01	Consult
55	191492	Plate B magnetic	089-4982-01	Consult
56	187214	Block B hinge side cover	089-4985-11	Consult
57	130813	Foot adjust	089-5083-06	Consult
58	158517	Cover side	089-4975-13	Consult
59	Consult	Cover harness	089-4987-09	Consult
60	119160	Power supply, switching	079-1225-04	Consult
61	Consult	Bracket power	089-4995-09	Consult
62	188064	Case rear cover	089-4972-12	Consult
	Consult	Case rear cover 60 lb	400-000-0404-00	Consult
63	119161	PWB PK-263A, customer display	089-5615-07	Consult
64	119162	LCD, customer display	089-5623-16	Consult
65	130814	Case rear panel, overlay	089-4973-07	Consult
66	121030	Cap	089-5796-08	Consult
67	203992	Harness C2 power assembly	089-5633-04	Consult
68	130815	Sheet keyboard operation insert	089-5508-11	Consult
69	Consult	Name plate spec	089-5376-16	Consult
70	130816	Harness S2 LAN	089-5637-09	Consult
71	Consult	Sticker location output	089-5740-19	Consult
72	Consult	Gasket 20 mm	089-5728-04	Consult
73	119163	Vibrator assembly	089-5734-16	Consult
75	132397	Ferrite core	089-5813-08	Consult
	175676	Ferrite core 60 lb	089-6531-01	Consult
76	119164	Load cell assembly, 30 lb	089-6149-01	Consult
	158516	Load cell assembly, 60 lb	089-6924-01	Consult
77	Consult	Sheet insulation power supply	089-6353-05	Consult
78	119506	Power Cord, 90 degree molded	089-5787-04	Consult
80	151522	Decal, capacity statement, operator, 30 lb	089-5064-05	Consult
	158625	Decal, capacity statement, operator, oz	089-8526-00	Consult
	179438	Decal, capacity statement, operator, 60 lb	089-7994-07	Consult
81	130817	Decal, capacity statement, customer, 30 lb	089-5063-01	Consult
	158626	Decal, capacity statement, customer, oz	089-8528-07	Consult
	Consult	Decal, capacity statement, customer, 60 lb		Consult
83	119165	LCD assembly operator Includes 26/39/40/74	089-6678-05	Consult
84	80990	Plate A cover	089-4042-00	Consult
999	167774	In use key cover		Consult
999	160470	Complete operator keyboard/display assembly	089-8147-01	Consult



Printing Scales