

# Uni-7H

Scale, Label Cassette

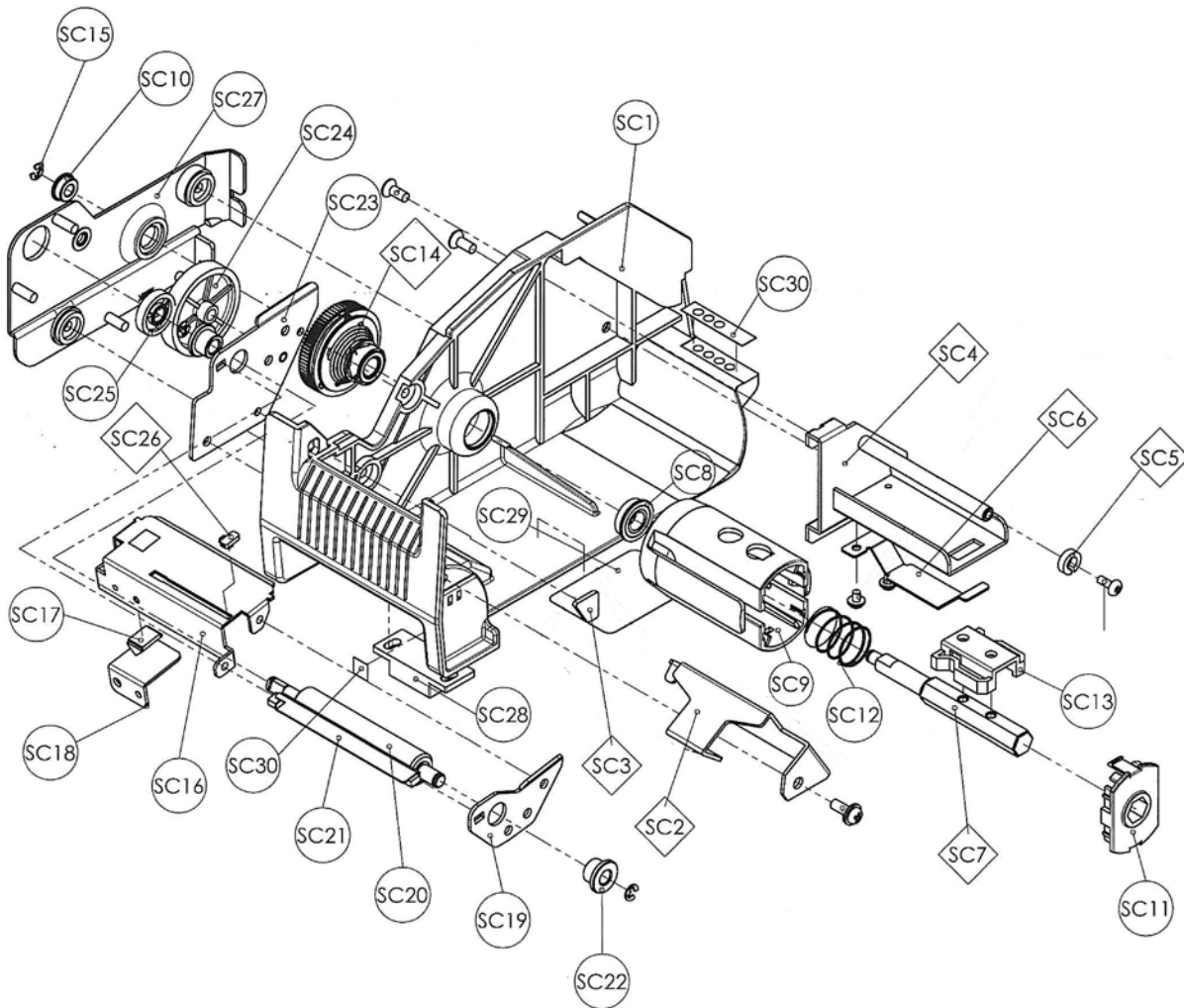


## Part Number/Price

| Ref # | Part #         | Description                          | Synonym         | Price   |
|-------|----------------|--------------------------------------|-----------------|---------|
| ASSY  | <b>190565</b>  | Label cassette, complete assy, black | 089-6793-01     | Consult |
| SC1   | <b>181196</b>  | Frame cassette                       | 089-5760-22     | Consult |
| SC2   | <b>131411</b>  | Bracket label peel                   | 089-6788-01     | Consult |
| SC3   | <b>131413</b>  | Plate A                              | 089-6790-00     | Consult |
| SC4   | <b>181196</b>  | Holder as label roll                 | 089-6783-03     | Consult |
| SC5   | <b>173893</b>  | Guide label                          | 089-5080-05     | Consult |
| SC6   | <b>180555</b>  | Lever label guide                    | 089-6782-00     | Consult |
| SC7   | <b>Consult</b> | Shaft step bobbin                    | 089-6791-03     | Consult |
| SC8   | <b>Consult</b> | Bearing large circle                 | 089-5666-07     | Consult |
| SC9   | <b>162104</b>  | Bobbin roll                          | 089-5550-09     | Consult |
| SC10  | <b>93342</b>   | Bush                                 | 064-0058-19     | Consult |
| SC11  | <b>167494</b>  | Cover roll                           | 089-5551-02     | Consult |
| SC12  | <b>162103</b>  | Spring coil compression              | 089-5560-06     | Consult |
| SC13  | <b>162102</b>  | Stopper holder label                 | 089-5554-03     | Consult |
| SC14  | <b>165181</b>  | Torque limiter assembly              | 089-6591-05     | Consult |
| SC15  | <b>Consult</b> | E-clip                               | 400-000-0969-00 | Consult |
| SC16  | <b>Consult</b> | Guide table label                    | 089-5557-04     | Consult |
| SC17  | <b>131415</b>  | Block B prism                        | 089-5556-01     | Consult |
| SC18  | <b>131416</b>  | Bracket prism                        | 089-5561-00     | Consult |
| SC19  | <b>180556</b>  | Frame, right                         | 089-5546-03     | Consult |
| SC20  | <b>119171</b>  | Roller printer                       | 089-5544-15     | Consult |
| SC21  | <b>172963</b>  | Plate as peel shaft                  | 089-5548-01     | Consult |
| SC22  | <b>131419</b>  | Bush                                 | 089-5597-12     | Consult |
| SC23  | <b>Consult</b> | Frame, left                          | 089-5545-19     | Consult |
| SC24  | <b>119507</b>  | Gear flat large                      | 089-5547-07     | Consult |
| SC25  | <b>93341</b>   | Gear flat small                      | 063-8269-29     | Consult |
| SC26  | <b>119508</b>  | Guide label                          | 089-5558-26     | Consult |
| SC27  | <b>204560</b>  | Cover gear                           | 089-5552-06     | Consult |
| SC28  | <b>131421</b>  | Catch magnetic                       | 117-9647-06     | Consult |
| SC29  | <b>Consult</b> | Sticker label setting                | 089-5564-01     | Consult |
| SC30  | <b>126462</b>  | Sticker cassette                     | 089-5563-07     | Consult |

# Uni-7H

Scale, Label Cassette



Hanging Scales