

Uni-7H

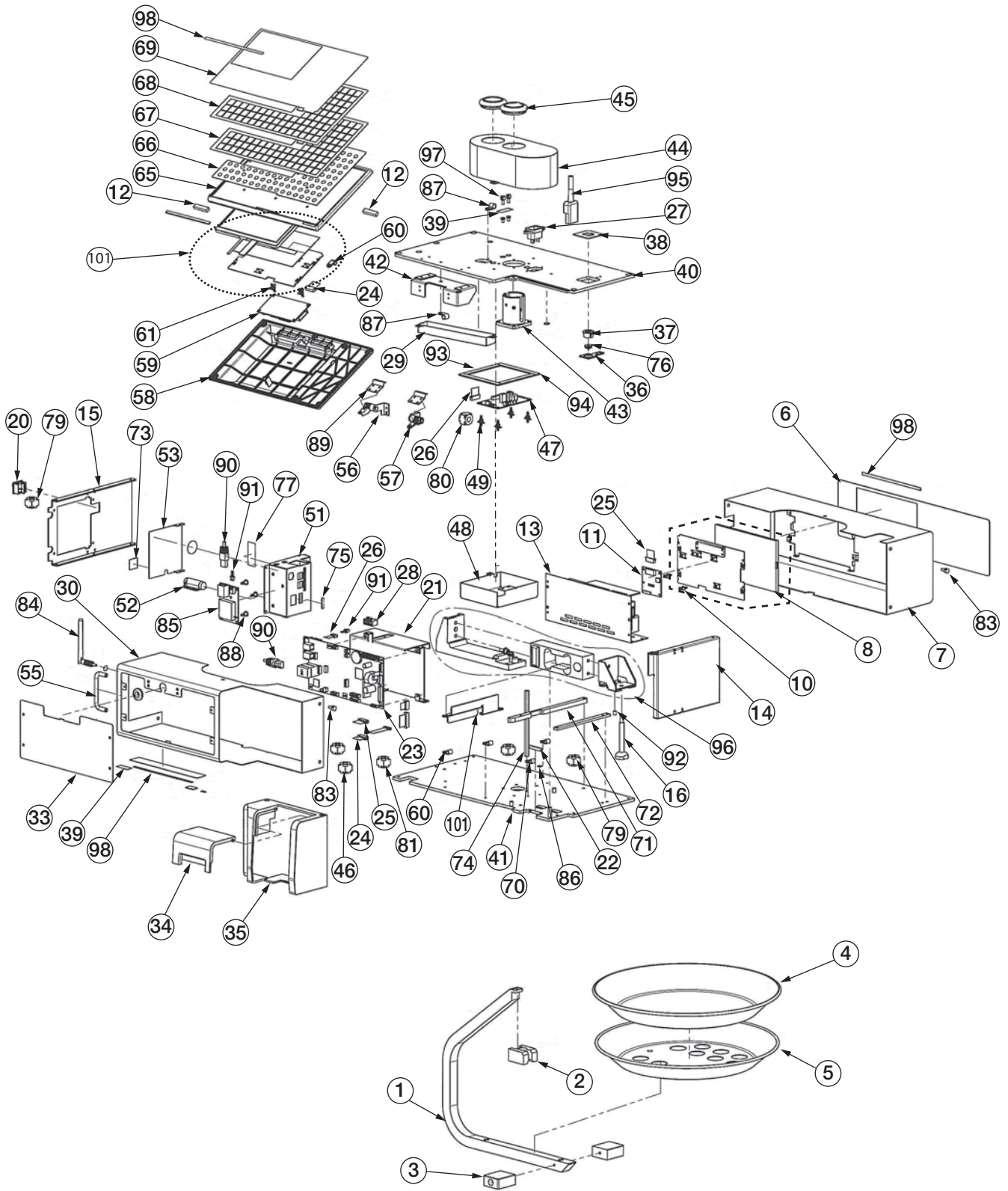
Scale



Part Number/Price

| Ref # | Part # | Description | Synonym | Price |
|-------|---------|---|-----------------|----------|
| 1 | 84049 | Bar platter | 089-2557-12 | Consult |
| 2 | 84050 | Block B Bar-connector | 089-2259-01 | Consult |
| 3 | 186815 | Block balance | 089-6227-09 | Consult |
| 4 | 84047 | Platter circle | 089-2493-09 | Consult |
| 5 | 84048 | Platter circle under | 089-2558-07 | Consult |
| 6 | 186816 | Panel window | 089-6221-16 | Consult |
| 7 | Consult | Case rear assembly | 089-6230-01 | \$250.00 |
| 8 | 119162 | LCD, customer display | 089-5623-16 | Consult |
| 10 | 132395 | PWB accessory card spacer | 116-6895-05 | Consult |
| 11 | 119161 | PWB PK-263A customer display | 089-5615-07 | Consult |
| 12 | 119163 | Vibrator assembly | 089-5734-16 | \$13.00 |
| 13 | 119160 | Power supply | 089-6282-04 | Consult |
| 14 | Consult | Frame side, right | 089-6201-02 | \$90.00 |
| 15 | Consult | Frame side, left | 089-6202-15 | \$101.00 |
| 16 | 181190 | Hanger platter unit | 089-6199-08 | Consult |
| 20 | Consult | Harness C4 switch | 089-5867-18 | \$14.00 |
| 21 | Consult | Bracket main board | 089-6205-16 | \$55.00 |
| 22 | 191492 | Plate B magnetic | 089-4982-01 | Consult |
| 23 | 174108 | PK-260B main CPU, SD, 4M | 400-000-1774-00 | Consult |
| 24 | Consult | Harness S2 front LCD | 089-6105-15 | \$82.00 |
| 25 | Consult | Harness S2 rear LCD | 089-6151-00 | \$74.00 |
| 26 | Consult | Harness C2 A/D board | 089-5627-01 | \$11.00 |
| 27 | 80969 | Harness C2 power, includes receptacle | 089-4014-14 | Consult |
| 28 | 190576 | Harness S2 24V DC power | 089-5634-08 | Consult |
| 29 | Consult | Guide harness | 089-6209-01 | \$55.00 |
| 30 | Consult | Case front | 089-6216-17 | \$214.00 |
| 31 | Consult | Grommets | 089-6229-06 | \$3.00 |
| 33 | Consult | Cover case front | 089-6218-14 | \$69.00 |
| 34 | 179705 | Cover printer | 089-6223-04 | Consult |
| 35 | 179706 | Case printer | 089-6222-01 | Consult |
| 36 | Consult | Bracket level | 089-5030-09 | \$12.00 |
| 37 | 44455 | Frame level | 089-0930-02 | Consult |
| 38 | 183993 | Cover level unit | 089-6215-04 | Consult |
| 39 | 126461 | Sticker void | 089-4988-02 | Consult |
| 40 | Consult | Plate top | 089-6212-03 | \$273.00 |
| 41 | Consult | Plate bottom | 089-6200-18 | \$225.00 |
| 42 | Consult | Bracket torque hinge | 089-6213-16 | \$41.00 |
| 43 | 84034 | Hanging housing | 089-2491-01 | Consult |
| 44 | 181191 | Cover inlet | 089-6211-00 | Consult |
| 45 | 84029 | Grommet with diaphragm | 000-4001-09 | Consult |
| 46 | 132397 | Ferrite core | 089-5813-08 | Consult |
| 47 | 119145 | PWB P-999B A/D board | 089-5825-11 | Consult |
| 48 | Consult | Bracket Ad board | 089-6214-01 | \$41.00 |
| 49 | Consult | Support PWB | 089-6210-06 | \$2.00 |
| 51 | Consult | Bracket connector | 089-6207-13 | \$101.00 |
| 52 | Consult | Magnetic catch | 089-6228-02 | \$19.00 |
| 53 | Consult | Cover bracket connector | 089-6208-08 | \$72.00 |
| 55 | Consult | Handle | 089-6220-03 | \$31.00 |
| 56 | 156446 | Hinge, left | 089-5505-01 | Consult |
| 57 | 156447 | Hinge, right | 089-5506-04 | Consult |
| — | — | Screw, M3x8 | | Consult |
| — | 178863 | Keyboard support hinge kit (4 screws, 2 plates) | | Consult |
| 58 | Consult | Case rear control | 089-5752-04 | \$48.00 |
| 59 | 119154 | PWB PK-261A keyboard/display controller | 089-5614-03 | Consult |
| 60 | 132394 | Ground clamp | 089-5810-07 | Consult |
| 61 | Consult | Support | 089-5729-08 | \$1.00 |

Vertical text: Hanging Scales



Hanging Scales

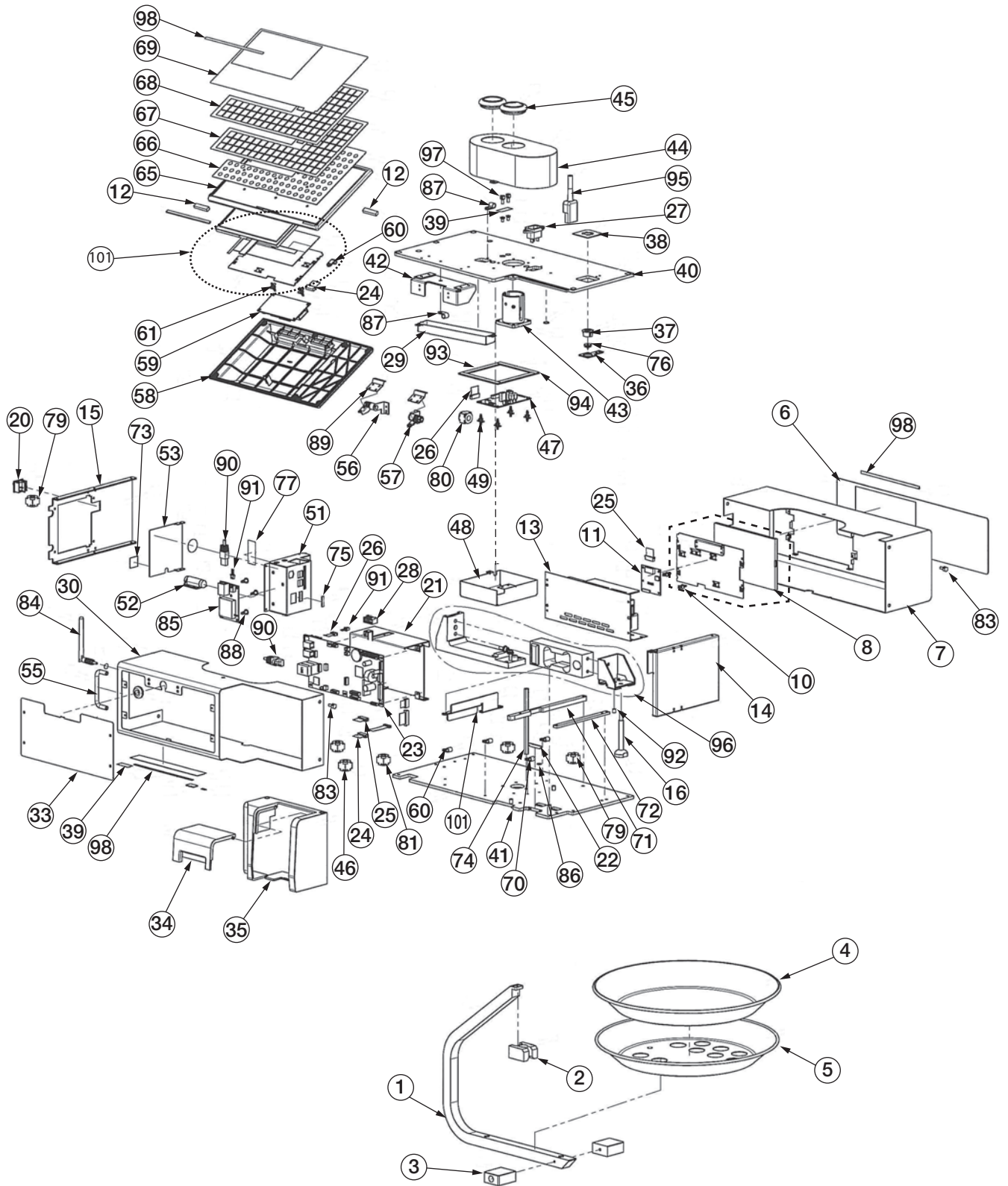
Uni-7H

Scale



Part Number/Price

| Ref # | Part # | Description | Synonym | Price |
|-------|---------|--------------------------------------|-------------|---------|
| 65 | Consult | Case front control | 089-5751-29 | Consult |
| 66 | 119155 | Keyboard membrane, contacts only | 089-5682-16 | Consult |
| 67 | 119156 | Sheet keyboard programing | 089-4946-06 | Consult |
| 68 | 130815 | Sheet keyboard-operation insert | 089-5508-11 | Consult |
| 69 | 119157 | Cover keyboard transparent overlay | 089-4947-37 | Consult |
| 70 | Consult | Clamp | 089-6235-09 | Consult |
| 71 | Consult | Guide cassette, right | 089-6203-00 | Consult |
| 72 | Consult | Guide cassette, left | 089-6204-03 | Consult |
| 73 | Consult | Sticker push | 089-6234-05 | Consult |
| 74 | Consult | Screw shaft hex FF | 089-6327-08 | Consult |
| 75 | Consult | Gasket 20 mm | 089-5728-04 | Consult |
| 76 | 44425 | Level unit | 900-5727-05 | Consult |
| 77 | Consult | Sticker location output | 089-5740-19 | Consult |
| 79 | Consult | Ferrite core | 089-5811-01 | Consult |
| 80 | Consult | Ferrite core | 089-5812-04 | Consult |
| 81 | 186522 | Ferrite core | 096-9524-03 | Consult |
| 83 | 126464 | Screw seal hex short | 089-5835-00 | Consult |
| 84 | 119159 | Antenna | 089-5639-06 | Consult |
| 85 | 119158 | PWB PK-265 RF wireless card, Wi-Port | 089-6679-09 | Consult |
| 86 | Consult | Lock washer | 089-5086-07 | Consult |
| 87 | Consult | Clamp | 089-6331-03 | Consult |
| 88 | Consult | Accessory PWB support | 089-5029-04 | Consult |
| 89 | Consult | Stopper torque hinge | 089-6332-07 | Consult |
| 90 | 130816 | Harness S2 LAN | 089-5637-09 | Consult |
| 91 | 163384 | Harness S2 5V power | 089-5636-05 | Consult |
| 92 | 181195 | Collar spacer | 089-5028-01 | Consult |
| 93 | Consult | Gasket 92 mm | 089-6341-01 | Consult |
| 94 | Consult | Gasket 105 mm | 089-6342-04 | Consult |
| 95 | 80991 | Power cord | 089-2504-06 | Consult |
| 96 | Consult | Load cell assembly | 089-6411-08 | Consult |
| 97 | 126464 | Screw seal hex short | 089-5835-00 | Consult |
| 98 | 151522 | Name plate spec | 089-5064-05 | Consult |
| 101 | 119165 | Front LCD assembly operator | 089-6678-05 | Consult |



Hanging Scales