

Uni-9

Customer Display Unit - Pole, Short Pole



Short Pole
(platter shown is optional)



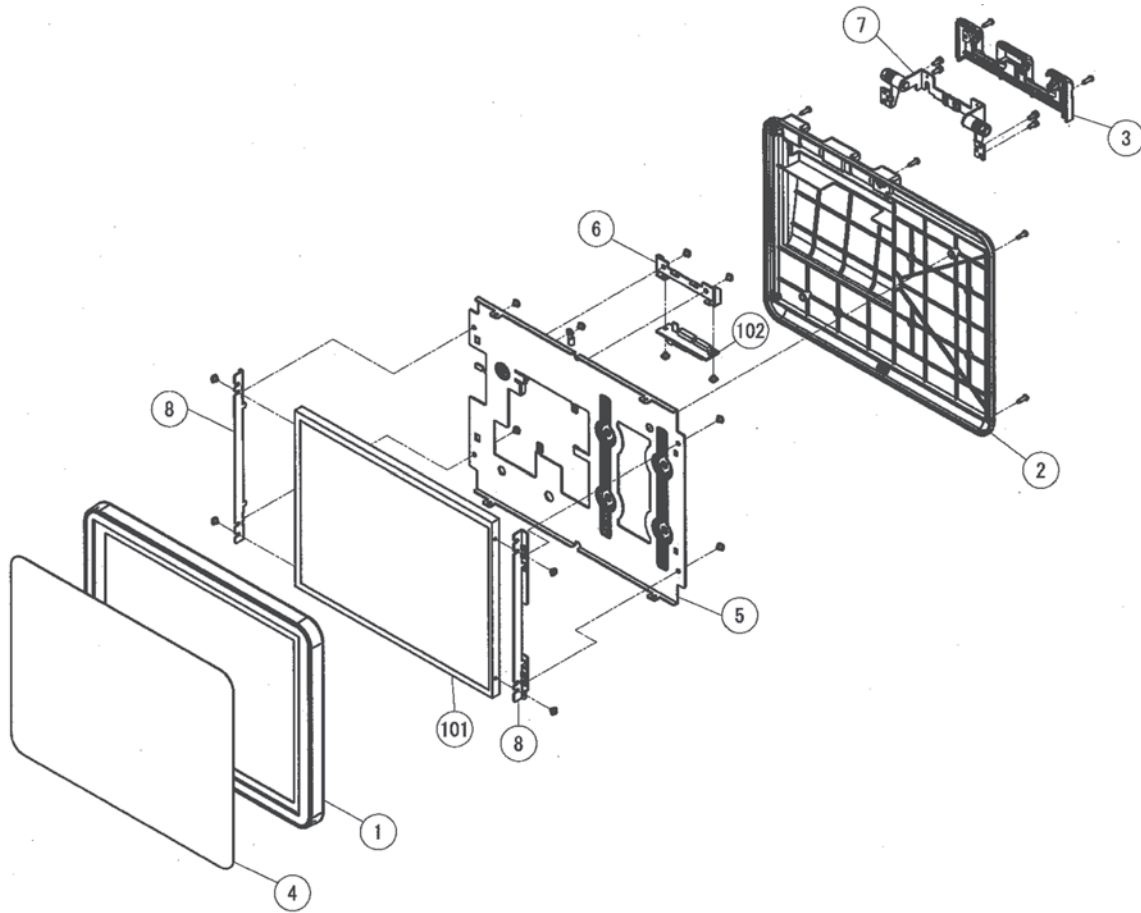
Pole

Part Number/Price

Ref #	Part #	Description	Synonym	Price
1	158284	Case, controller, front	138-1651-08	Consult
2	179707	Case, controller, rear	138-2461-10	Consult
3	181192	Cover, display, connector	138-2462-13	Consult
4	158285	Sheet, display	138-1657-00	Consult
5	195422	Frame, operation	138-2464-11	Consult
6	185541	Bracket, board, junction	138-2444-16	Consult
7	181193	Hinge assy, torque	138-1528-21	Consult
8	187271	L plate B, display	138-2463-17	Consult
101	158278	Display, LCD, TFT	135-4850-11	Consult
102	87519	PWB, P-985, display harness junction board	102-3034-15	Consult
999	187275	Harness, C5, LCD display	137-0811-33	Consult

Uni-9

Customer Display Unit - Pole, Short Pole



Printing Scales