

Uni-9

Electric Unit and Wiring Diagram - Bench



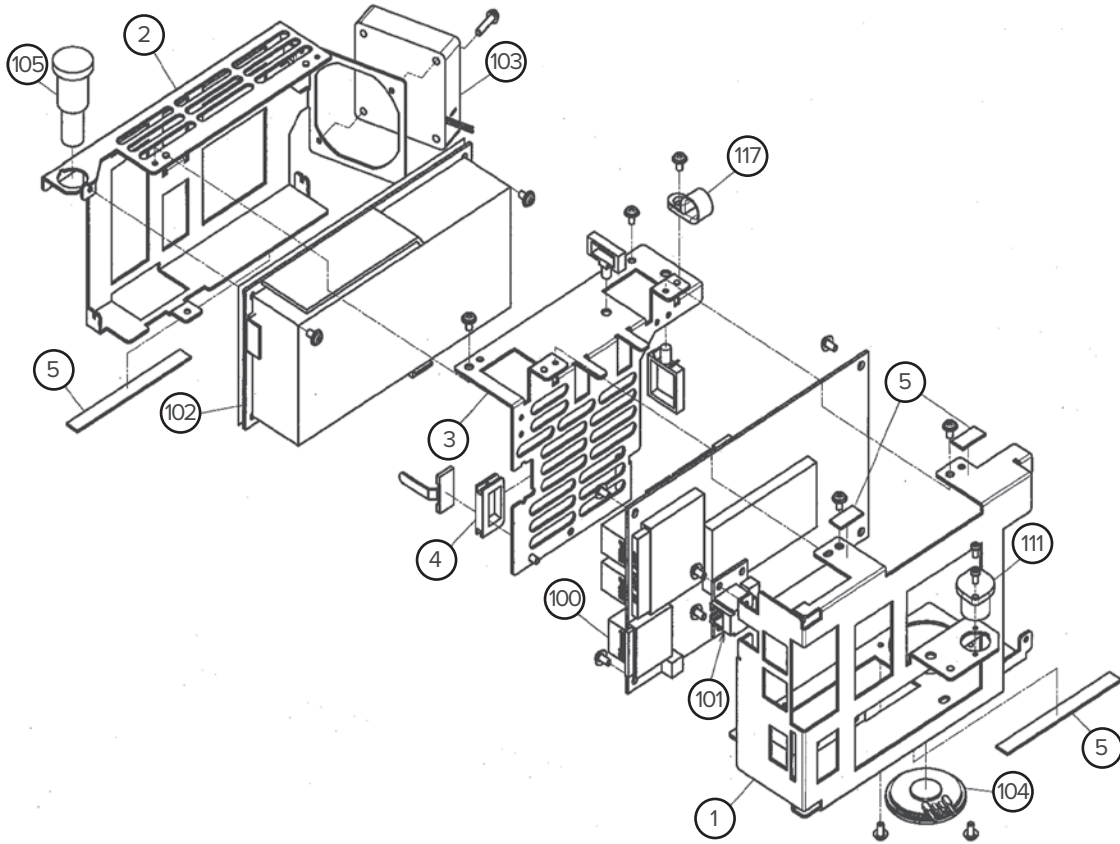
Part Number/Price

Ref #	Part #	Description	Synonym	Price
1	Consult	Bracket, PWB	137-0872-12	Consult
2	Consult	Bracket, PS	137-0871-28	Consult
3	182929	Guide, harness	138-1542-23	Consult
4	186510	Accessory, fastener, edge, saddle	064-0360-05	Consult
5	186511	Gasket	141-6196-06	Consult
100	158280	PWB P-1100A, CPU	141-6280-24	Consult
—	200243	CF card, SSD with OS, Uni-9/Uni-9H		Consult
101	158281	PWB P-1117, cash drawer relay board	138-5925-02	Consult
102	154777	Power supply, switching	138-5941-02	Consult
103	181152	Fan assy	141-6085-15	Consult
104	181153	Speaker assy	140-7073-26	Consult
105	186512	Fuse holder assy	138-5697-21	Consult
106*	125707	Fuse, glass tube	069-2407-00	Consult
107*	186513	Harness, C3, power supply	137-0804-37	Consult
108*	186514	Harness, C6, sensors	137-0813-40	Consult
109*	186515	Harness, C3, printer motor	138-5939-22	Consult
110*	186518	Harness, S2, power switch	137-0798-38	Consult
111	182930	Harness, C6, internal/remote scale	138-2492-42	Consult
112*	182931	Harness, C5, to customer display	138-5734-44	Consult
113*	176788	Harness, C6, to operator display	138-5716-38	Consult
114*	186520	Harness, S1, jumper	133-8499-16	Consult
115*	186521	Filter, ferrite core	072-2454-03	Consult
116*	186522	Filter, ferrite core	096-9524-03	Consult
117	186523	Accessory, clamp, shield	141-6084-02	Consult
999	119506	Power cord, 90 degree molded	089-5787-04	Consult
Wi-Port and Wireless Options				
999	119159	Antenna, WiFi	000-089-5639-06	Consult
999	165194	Antenna, bracket, hidden	000-5592-00	Consult
999	119158	PWB PK-265A RF wireless card, Wi-Port	000-089-8141-09	Consult

* See Electric Unit Wiring Diagram - Bench on page 76: items 2-106 to 2-116

Uni-9

Electric Unit and Wiring Diagram - Bench



Printing Scales

Uni-9

Electric Unit Wiring Diagram - Bench

