

Uni-9

Printer Frame - Bench, Pole, Short Pole, DB



Short Pole
(platter shown is optional)



Bench



DB



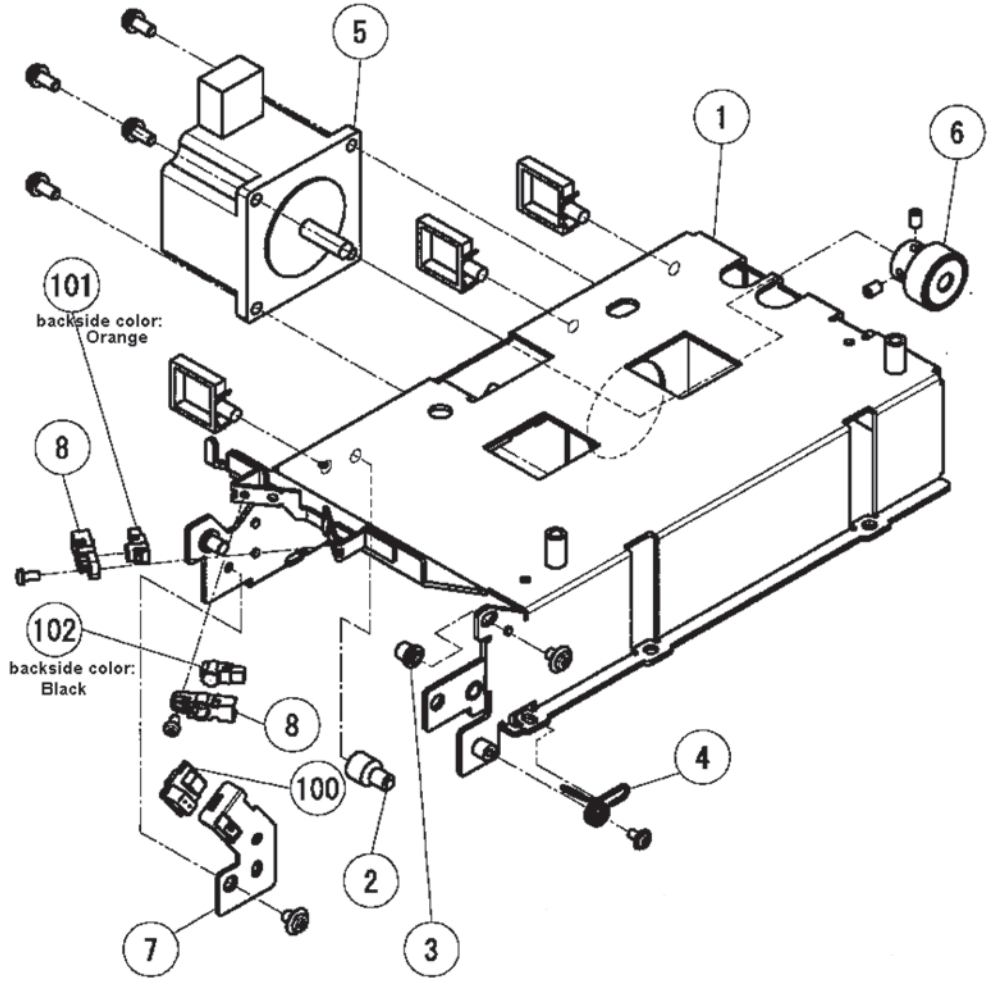
Pole

Part Number/Price

Ref #	Part #	Description	Synonym	Price
1	Consult	Frame, printer	137-0859-22	Consult
2	173888	Pin, fix, cassette, left	138-1531-04	Consult
3	181149	Pin, fix, cassette, right	138-1532-08	Consult
4	181150	Spring, coil	138-1530-01	Consult
5	119168	Motor, stepping	089-5513-01	Consult
6	181151	Gear, flat	138-1596-15	Consult
7	186531	Bracket, sensor, label	138-1591-17	Consult
8	186532	Holder, sensor	137-0857-16	Consult
100	87533	Label gap sensor, receiver	105-5249-09	Consult
101	158272	Peel sensor, transmitter, orange	137-0791-05	Consult
102	158274	Peel sensor, receiver, black	137-0792-09	Consult

Uni-9

Printer Frame - Bench, Pole, Short Pole, DB



Printing Scales