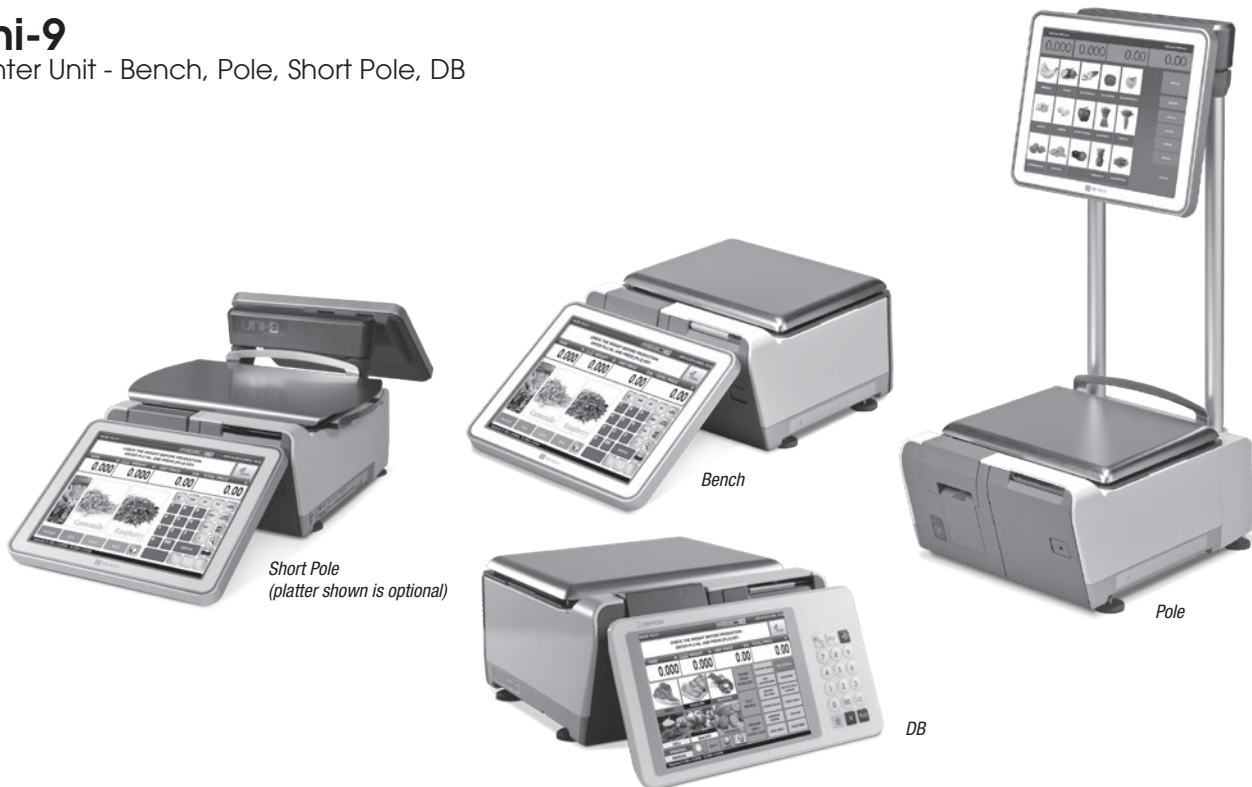


Uni-9

Printer Unit - Bench, Pole, Short Pole, DB



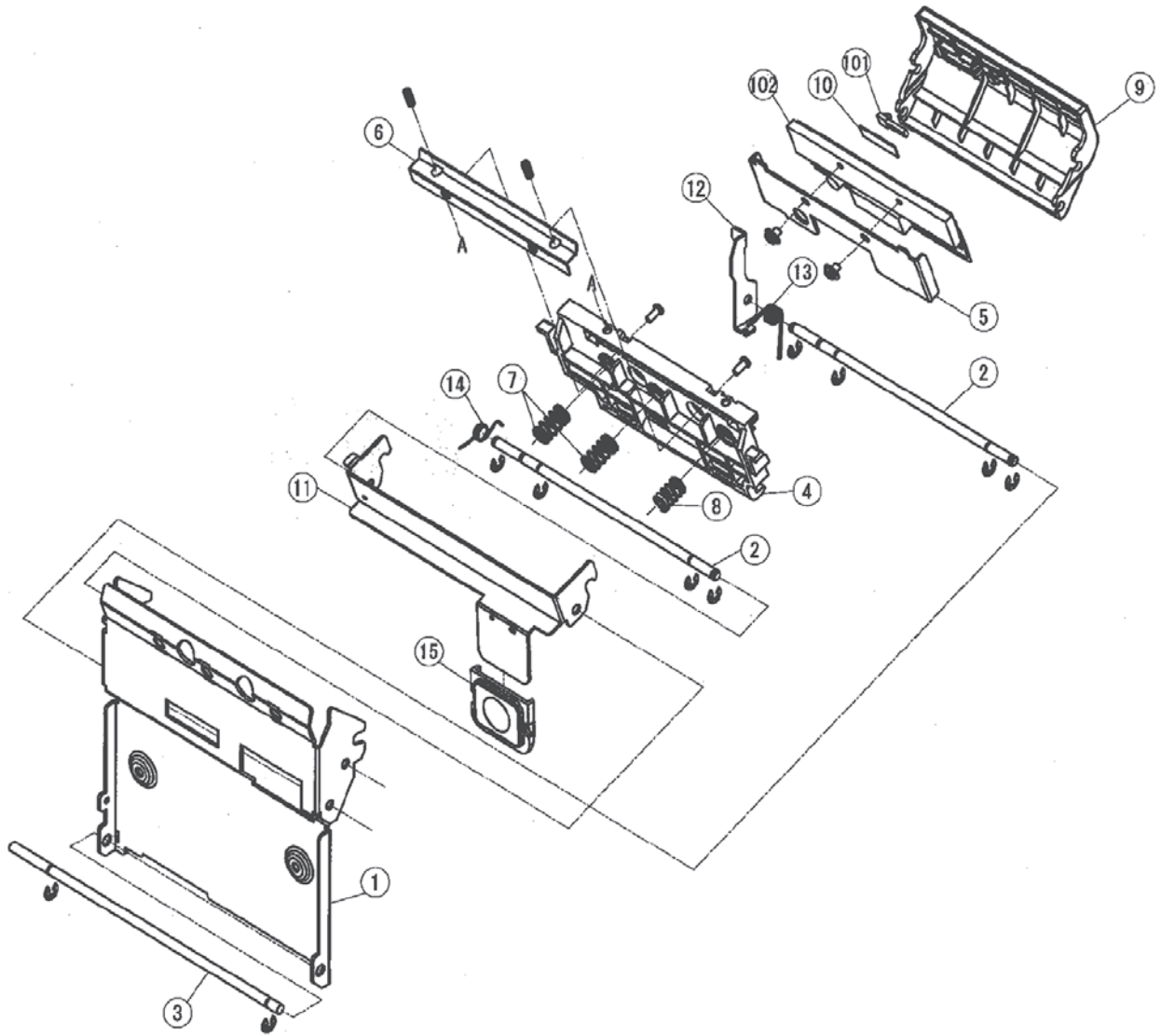
Part Number/Price

Ref #	Part #	Description	Synonym	Price
1	192428	Frame, printer unit	137-0874-10	Consult
2	186524	Shaft, fulcrum, hook	138-2466-09	Consult
3	186525	Shaft, fulcrum, printer unit	138-2465-14	Consult
4	186526	Bracket head	138-2467-11	Consult
5	182933	Stay head	137-0855-19	Consult
6	158270	Cutter, receipt, serrated tear bar	138-1619-26	Consult
—	181680	Label support, black, Z bracket	000-146-5498-03	Consult
—	26408	Bumper, rubber (apply to display hinge)	—	Consult
7	182934	Spring, coil, compressive	138-1652-01	Consult
8	182935	Spring, coil, compressive	138-1653-05	Consult
9	186527	Bracket, LED	137-0856-12	Consult
10	186528	Plate, cover, sensor	137-0864-03	Consult
11	182936	Hook, fix, printer unit	137-0875-13	Consult
12	182937	Lever, release, hook	138-1622-19	Consult
13	182938	Spring, coil	138-1654-09	Consult
14	182939	Spring, coil	138-1655-11	Consult
15	182940	Cap, lever	137-0876-17	Consult
16	186529	Accessory, clamp, flat cable	150-3050-07	Consult
100*	181147	Harness, C2, thermal head	137-0812-28	Consult
101	181148	Sensor, label gap, transmitter, C2 with harness	138-5715-25	Consult
102	158271	Print head, thermal	138-5871-05	Consult
999	186530	Filter, ferrite, core	102-3466-01	Consult
999	Consult	Gasket, conductive	003-0166-00	Consult
999	Consult	Gasket, conductive	002-0167-00	Consult

* See Electric Unit Wiring Diagram - Bench on page 76: items 3-100

Uni-9

Printer Unit - Bench, Pole, Short Pole, DB



Printing Scales