

# Electric Unit and Wiring Diagram

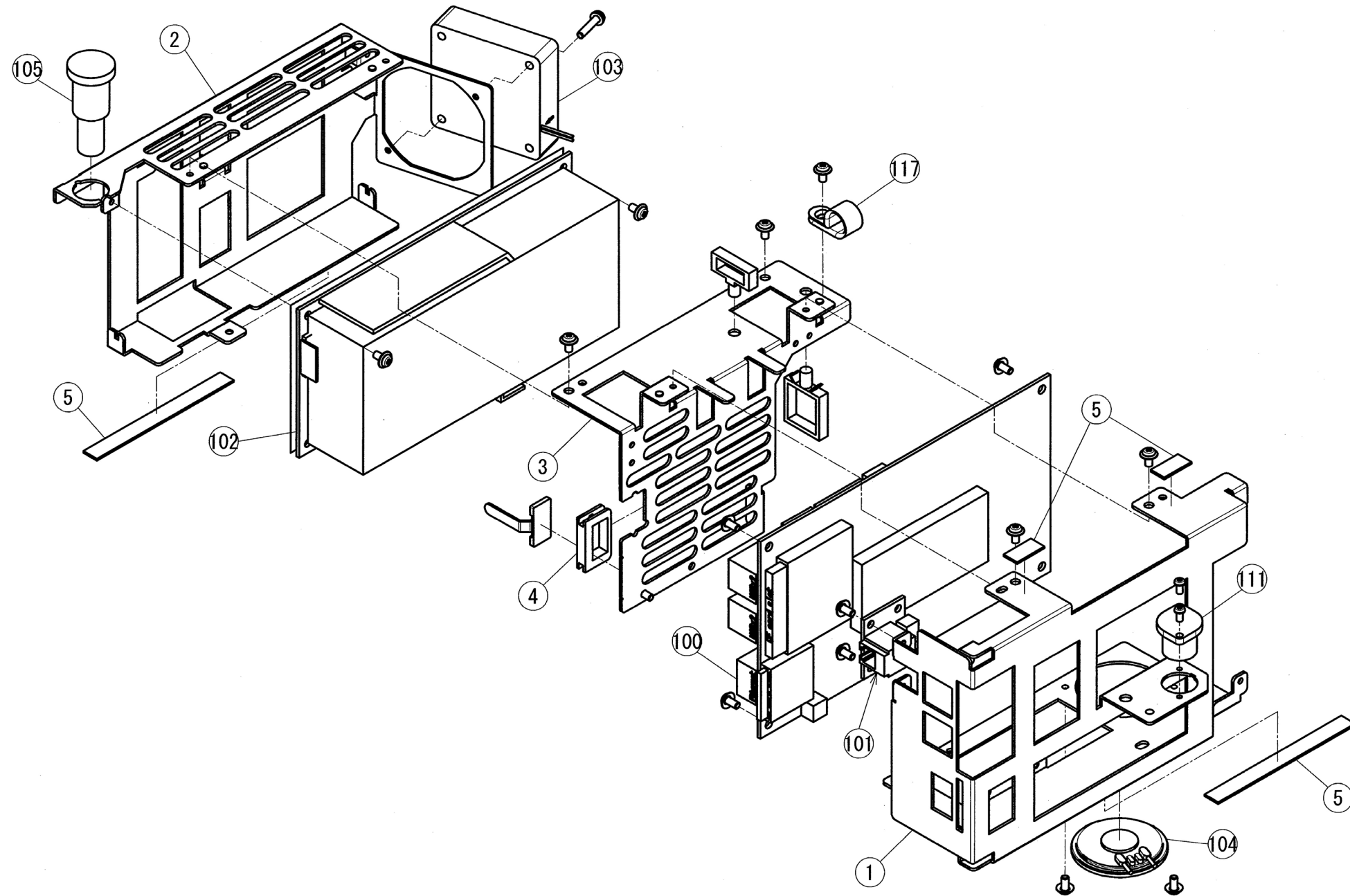
## Part Number/Price

REF #	PART #	DESCRIPTION	QTY	SYNONYM	PRICE
1	<b>Consult</b>	Bracket, PWB	1	000-137-0872-12	\$17.00
2	<b>Consult</b>	Bracket, PS	1	000-137-0871-28	\$11.00
3	<b>182929</b>	Guide, harness	1	000-138-1542-23	\$9.00
4	<b>186510</b>	Accessory, fastener, edge saddle	1	000-064-0360-05	\$2.50
5	<b>186511</b>	Gasket	1	000-141-6196-06	\$3.50
100	<b>158280</b>	PWB, P-1100A-2, main CPU board	1	000-141-6280-30	\$1,693.00
—	<b>200246</b>	CF card, SSD with OS, Uni-9DB	1		\$350.00
101	<b>158281</b>	PWB P-1117, cash drawer relay board	1	000-138-5925-02	\$14.50
102	<b>154777</b>	Power supply, switching	1	000-138-5941-02	\$137.50
103	<b>181152</b>	Fan assy	1	000-141-6085-15	\$71.00
104	<b>181153</b>	Speaker assy	1	000-140-7073-26	\$26.50
105	<b>186512</b>	Fuse holder assy	1	000-138-5697-21	\$38.50
106	<b>125707</b>	Fuse, glass tube	1	000-069-2407-00	\$2.50
107	<b>186513</b>	Harness, C3, power supply	1	000-137-0804-38	\$11.00
108	<b>186514</b>	Harness, C6, sensors	1	000-137-0813-41	\$27.50
109	<b>186515</b>	Harness, C3, label motor	1	000-138-5939-23	\$13.50
110	<b>186518</b>	Harness, S2, power supply switch	1	000-137-0798-39	\$8.00
111	<b>187276</b>	Harness, C5, weigh, to remote scale base	1	000-138-5863-52	\$72.00
113	<b>186519</b>	Harness, C6, operator display	1	000-138-5920-50	\$90.50
114	<b>186520</b>	Harness, S1, jumper	1	000-133-8499-17	\$7.00
115	<b>186521</b>	Filter, Ferrite core	1	000-072-2454-03	\$11.00
116	<b>186522</b>	Filter, Ferrite core	1	000-096-9524-03	\$10.00
117	<b>186534</b>	Accessory, clamp, shield display unit	1	000-135-7195-06	\$4.50
999	<b>119506</b>	Power cord, 90 degree molded	1	000-089-5787-04	\$22.00
<b>Wi-Port and Wireless Options</b>					
999	<b>119159</b>	Antenna, WiFi	1	000-089-5639-06	\$81.00
999	<b>165194</b>	Antenna, bracket, hidden	1	000-5592-00	\$17.50
999	<b>119158</b>	PWB PK-265A, RF wireless card, Wi-Port	1	000-089-8141-09	\$623.50

See the [Uni-9DB RP Wiring Diagram on page 197](#) for harness details: items 2-107 to 2-114

# Ishida Uni-9DB RP

Electric Unit and Wiring Diagram



# Ishida Uni-9DB RP

## Wiring Diagram

