

# Uni-9H

Scale

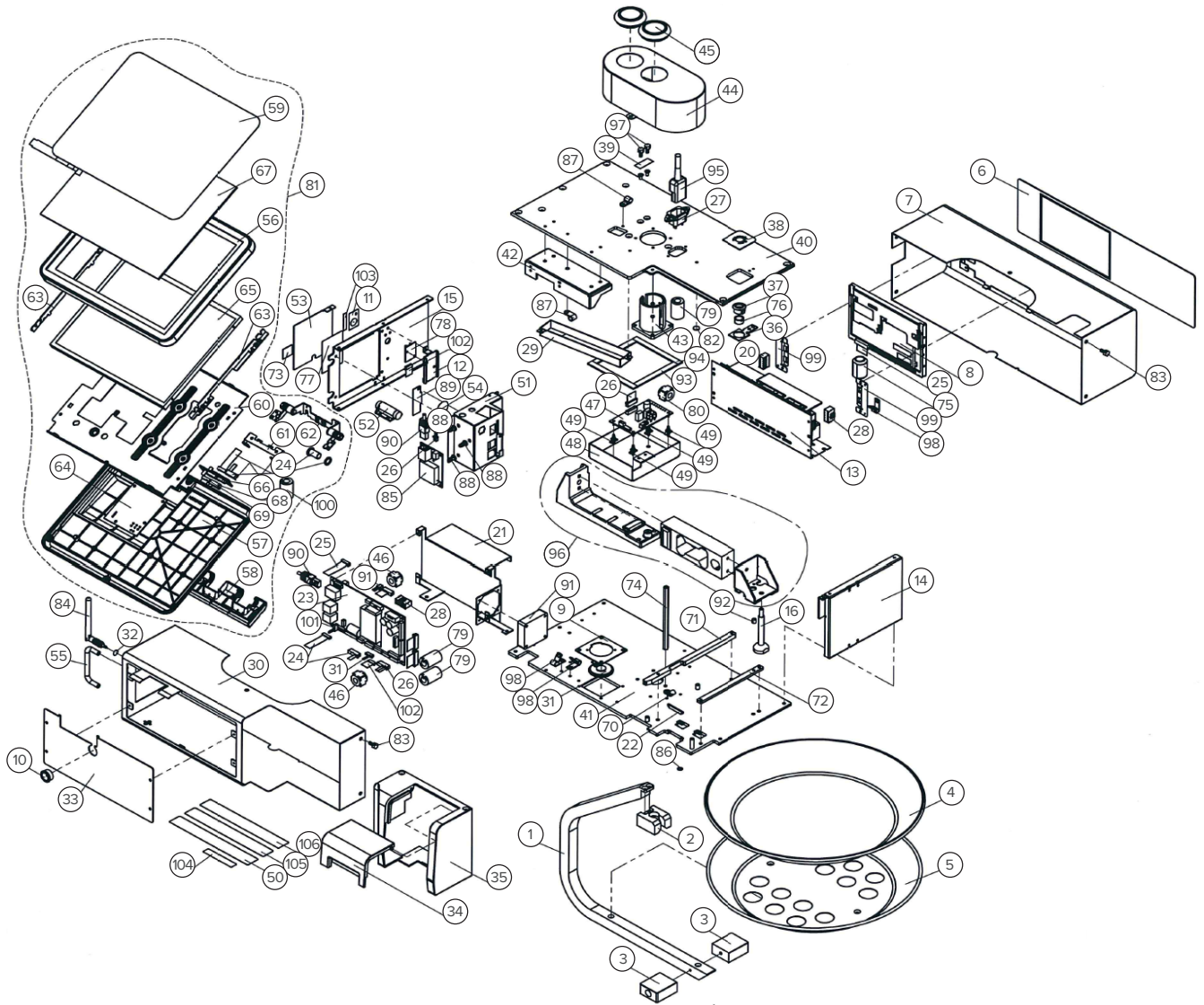


## Part Number/Price

Ref #	Part #	Description	Synonym	Price
1	84049	Bar platter	089-2557-12	Consult
2	84050	Block B Bar-connector	089-2559-01	Consult
3	186815	Block balance	089-6227-18	Consult
4	84047	Platter circle	089-2493-09	Consult
5	84048	Platter circle under	089-2558-07	Consult
6	181095	Sheet display	149-6872-09	Consult
7	Consult	Case rear assy	089-7911-07	Consult
8	158283	Display LCD TFT, customer display	138-5873-02	Consult
9	Consult	Plate B speaker	089-7919-06	Consult
10	47015	Bush openlock	013-8916-01	Consult
11	158260	Sheet switch	138-1660-01	Consult
12	Consult	Bracket PWB P-984	089-7920-02	Consult
13	119160	Power supply	089-6282-04	Consult
14	Consult	Frame side, right	089-6201-02	Consult
15	Consult	Frame side, left	089-7912-01	Consult
16	181190	Hanger platter unit	089-6199-08	Consult
20	Consult	Harness C3 power AC	089-7968-09	Consult
21	Consult	Bracket PWB P-1100	089-7913-04	Consult
22	191492	Plate B magnetic	089-4982-01	Consult
23	158280	PWB P-1100A, CPU	141-6086-20	Consult
—	200243	CF card, SSD with OS, Uni-9/Uni-9H		Consult
24	198600	Harness C6 LCDH, operator display	140-7040-23	Consult
25	Consult	Harness C5 LCDH, customer display	140-7039-10	Consult
26	Consult	Harness C3 A/D wireless	140-7045-21	Consult
27	80969	Harness C2 power, includes receptacle	089-4014-14	Consult
28	Consult	Harness S2 24VDC power	089-7969-02	Consult
29	Consult	Guide harness	089-6209-01	Consult
30	Consult	Case front	089-7914-08	Consult
31	181153	Speaker assy	140-7073-26	Consult
32	Consult	Plate A cover	089-4042-01	Consult
33	Consult	Cover case front	089-7915-01	Consult
34	179705	Cover printer	089-6223-04	Consult
35	179706	Case printer	089-6222-01	Consult
36	Consult	Bracket level	089-5030-09	Consult
37	44455	Frame level	089-0930-02	Consult
38	183993	Cover level unit	089-6215-04	Consult
39	126461	Sticker void	089-4988-11	Consult
40	Consult	Plate top	089-6212-12	Consult
41	Consult	Plate bottom	089-7916-06	Consult
42	194482	Bracket torque hinge	089-7917-09	Consult
43	84034	Hanging housing	089-2491-01	Consult
44	181191	Cover inlet	089-6211-00	Consult
45	84029	Grommet w/diaphragm	000-4001-09	Consult
46	186522	Filter ferrite core	096-9524-03	Consult
47	119145	PWB P-999 B, A/D board	089-5825-11	Consult
48	Consult	Bracket AD board	089-6214-01	Consult
49	Consult	Support PWB	089-6210-06	Consult
51	Consult	Bracket connector	089-7918-02	Consult
52	Consult	Magnetic catch	089-6228-02	Consult
53	Consult	Cover bracket connector	089-6208-08	Consult
54	Consult	Seal round	075-1264-01	Consult
55	Consult	Handle	089-6220-03	Consult
56	158284	Case controller front	138-1651-08	Consult
57	179707	Case controller rear	138-2461-10	Consult

# Uni-9H

Scale



Hanging Scales

# Uni-9H

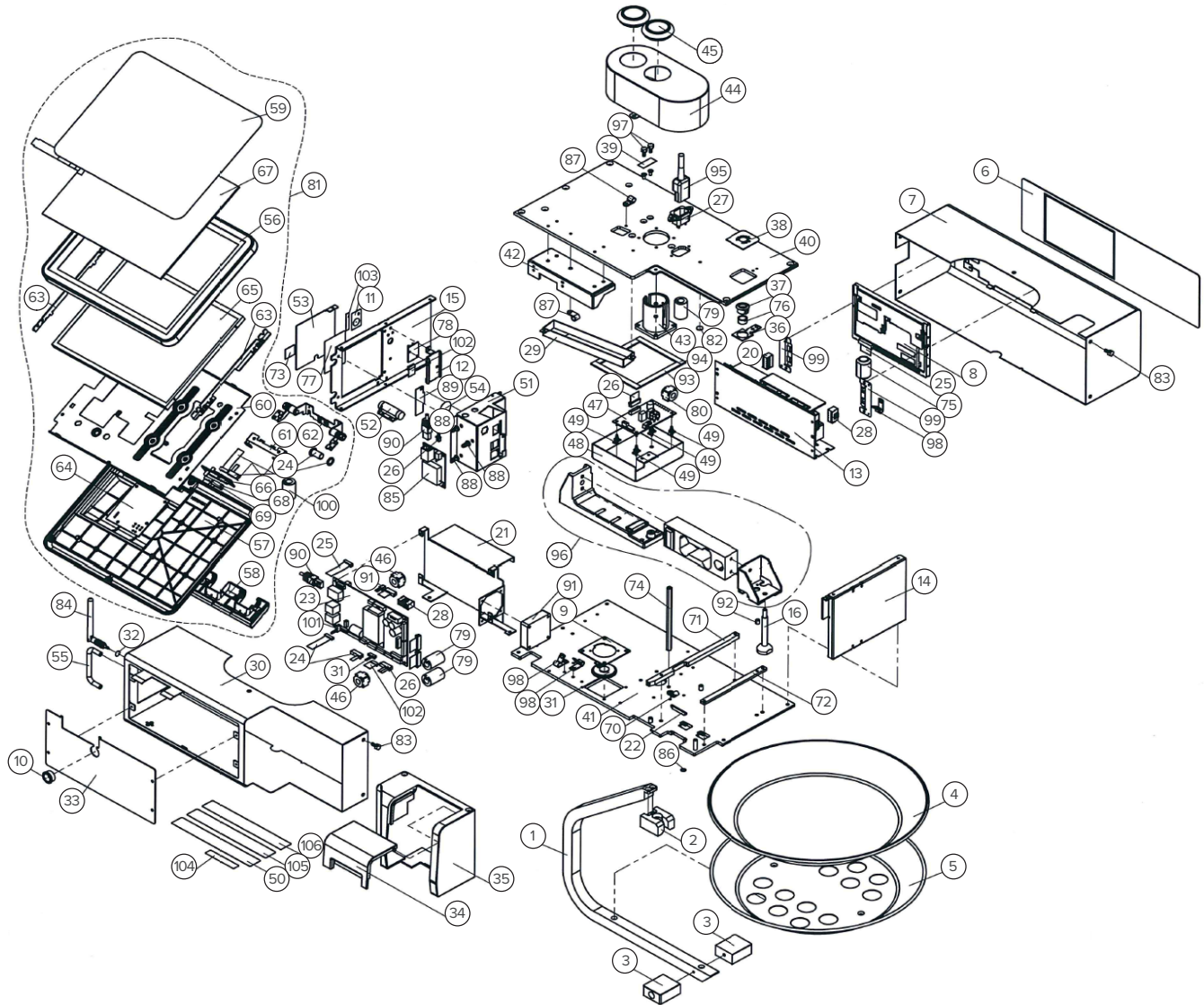
Scale



## Part Number/Price

Ref #	Part #	Description	Synonym	Price
58	181192	Cover display connector	138-2462-13	Consult
59	158275	Sheet display	138-1658-12	Consult
60	195422	Frame controller	138-2464-20	Consult
61	185541	Bracket board junction	138-2444-16	Consult
62	181193	Hinge as torque	138-1528-21	Consult
63	187271	L plate B display	138-2463-17	Consult
64	158279	PWB P-1118, display board	138-5945-07	Consult
65	158278	Display LCD TFT, operator side	135-4850-11	Consult
66	87519	PWB P-985, display harness junction board	102-3034-15	Consult
67	171883	Touch panel analog	135-4851-14	Consult
68	187274	Harness C2 touch panel	139-2707-12	Consult
69	187275	Harness C5 LCD	137-0811-33	Consult
70	Consult	Clamp	089-6235-09	Consult
71	Consult	Guide cassette, right	089-6203-00	Consult
72	Consult	Guide cassette, left	089-6204-03	Consult
73	Consult	Sticker push	089-6234-05	Consult
74	Consult	Screw shaft Hexa FF	089-6327-08	Consult
75	186530	Filter ferrite core	102-3466-01	Consult
76	44425	Level unit	900-5727-05	Consult
77	Consult	Sticker location output	089-7942-02	Consult
78	158263	PWB P-984-1, power switch	106-1319-18	Consult
79	Consult	Ferrite Core	089-5811-01	Consult
80	Consult	Ferrite Core	089-5812-04	Consult
81	181194	Operation unit Uni-9	138-1680-06	Consult
82	Consult	Sticker ground	043-1783-05	Consult
83	126464	Screw seal Hexa	089-5835-00	Consult
84	119159	Antenna	089-5639-15	Consult
85	181097	PWB PK-265B assy, RF wireless port	089-5735-10	Consult
86	Consult	Lock washer	089-5086-07	Consult
87	Consult	Clamp	089-6331-03	Consult
88	Consult	Button support	089-5029-04	Consult
89	Consult	Plate B CF	089-7921-04	Consult
90	130816	Harness S2 lan	089-5637-09	Consult
91	181152	Fan assy	141-6085-15	Consult
92	181195	Collar spacer	089-5028-01	Consult
93	Consult	Gasket 92 mm	089-6341-01	Consult
94	Consult	Gasket 105 mm	089-6342-04	Consult
95	80991	Power cord	089-2504-06	Consult
96	181098	Load cell assembly	000-2358-00	Consult
97	126464	Screw seal Hexa	089-5835-00	Consult
98	132394	Earth clamp	089-5810-07	Consult
99	Consult	Bracket LCD	138-1594-27	Consult
100	186416	Filter ferrite core	074-0771-01	Consult
101	186520	Harness S1 jumper	133-8499-16	Consult
102	186518	Harness S2 power switch	137-0798-38	Consult
103	Consult	Sticker seal	089-7953-03	Consult
104	Consult	Maker No. sticker	000-0097-00	Consult
105	Consult	Sticker wireless	000-0123-00	Consult
106	Consult	Sticker wireless	000-0124-00	Consult
<b>Wi-Port and Wireless Options</b>				
999	119159	Antenna	000-089-5639-06	Consult
999	119158	PWB PK-265A RF wireless card, Wi-Port	000-089-8141-09	Consult

# Uni-9H Scale



## Hanging Scales