

Main Body Unit and Wiring Diagram

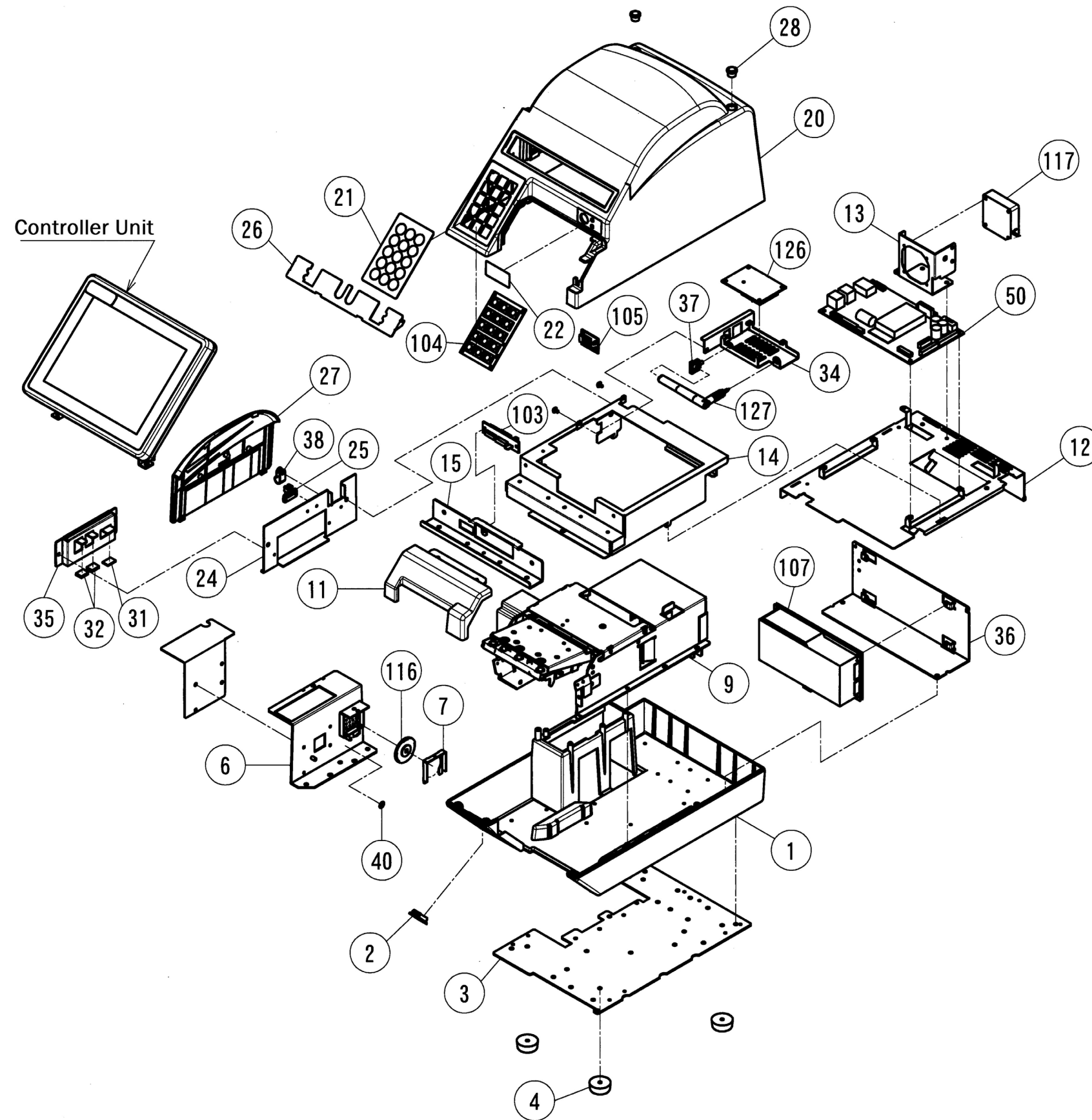
Part Number/Price

REF #	PART #	DESCRIPTION	QTY	SYNONYM	PRICE
1	Consult	Base, printer	1	000-072-8585-19	Consult
2	Consult	Cap, SW	1	000-109-2150-02	Consult
3	Consult	Plate b, reinforcement	1	000-110-7848-00	Consult
4	185717	Rubber pad	4	000-090-5034-07	Consult
6	Consult	Bracket assy, connector	1	100-016-6897-01	Consult
7	Consult	Bracket, speaker	1	000-099-8591-01	Consult
9	Consult	Printer unit	1	100-016-7594-00	Consult
11	96327	Cover, printer	1	000-063-8266-19	Consult
12	Consult	Base assy, main	1	100-009-1152-00	Consult
13	Consult	Bracket, fan	1	000-150-3126-06	Consult
14	Consult	Bracket, PWB	1	100-009-1266-00	Consult
15	Consult	Bracket, hinges	1	000-099-8582-17	Consult
20	Consult	Case, main body, upper	1	000-109-2157-17	Consult
21	185569	Sheet, keyboard	1	100-009-0781-00	Consult
22	185570	Sheet, switch	1	000-109-8691-02	Consult
24	Consult	Bracket, connector, main	1	100-009-1261-00	Consult
25	Consult	Catch	1	000-052-1953-03	Consult
26	Consult	Cover, hinge	1	000-108-6480-27	Consult
27	203305	Cover, connector access	1	000-109-2149-08	Consult
28	42967	Cap	2	000-001-4457-10	Consult
31	198409	Gasket, conductive	1	000-139-2688-06	Consult
32	198408	Gasket, conductive	2	000-139-2689-00	Consult
34	Consult	Bracket, circuit board	1	100-009-1268-00	Consult
35	Consult	Bracket, connector, main	1	100-009-1158-00	Consult
36	Consult	Bracket, power supply	1	100-016-7256-00	Consult
37	Consult	Accessory, clamp, LWS clamp	1	000-073-7215-05	Consult
38	Consult	Accessory, clamp, nylon clamp	1	000-000-4753-06	Consult
40	Consult	Name plate	1	000-097-8992-16	Consult
50	158280	PWB, P-1100A, main CPU board	1	000-141-6086-21	Consult
—	164866	CF card, SSD with OS, WIL Acro II	1	100-000-7261-00	Consult
103	87519	PWB P-985, display harness junction board	1	000-102-3034-15	Consult
104	185572	PWB P-944, tactile keyboard	1	000-072-8611-04	Consult
105	158263	PWB P-984, ON/OFF key	1	000-106-1319-19	Consult
107	154777	Power supply, switching	1	000-138-5941-02	Consult
108	195781	Harness, C3, PS cable	1	100-016-7700-01	Consult
109	198403	Harness, S2, Earth	1	100-016-7708-00	Consult
110	198404	Harness, C3, power supply	1	100-016-7702-00	Consult
112	198405	Harness, C3, key	1	100-016-7704-00	Consult
113	198406	Harness, S2, power supply SW	1	100-016-7706-00	Consult
114	198407	Harness, C4, LCD	1	100-016-7703-00	Consult
116	172673	Speaker assy	1	000-140-7074-11	Consult
117	185573	Fan assy	1	100-016-7701-00	Consult
119	Consult	Harness, C2, speaker	1	100-016-7705-00	Consult
120	186520	Harness, S1, transfer	1	000-133-8499-16	Consult
126	119158	PWB PK-265A, RF wireless card, Wi-Port	1	000-089-8141-00	Consult
127	119159	Antenna	1	000-089-5639-06	Consult
128	130816	Harness, S2, Lan	1	000-089-5637-09	Consult
129	Consult	Harness, C2, Wifi	1	100-008-9043-01	Consult
999	186497	Name plate, EMC, main body	1	100-000-5604-00	Consult
ASSY	87514	Cassette unit, label assy	1	000-065-1662-38	Consult

See the [WIL-ACRO II Wiring Diagram on page 42](#) for harness details

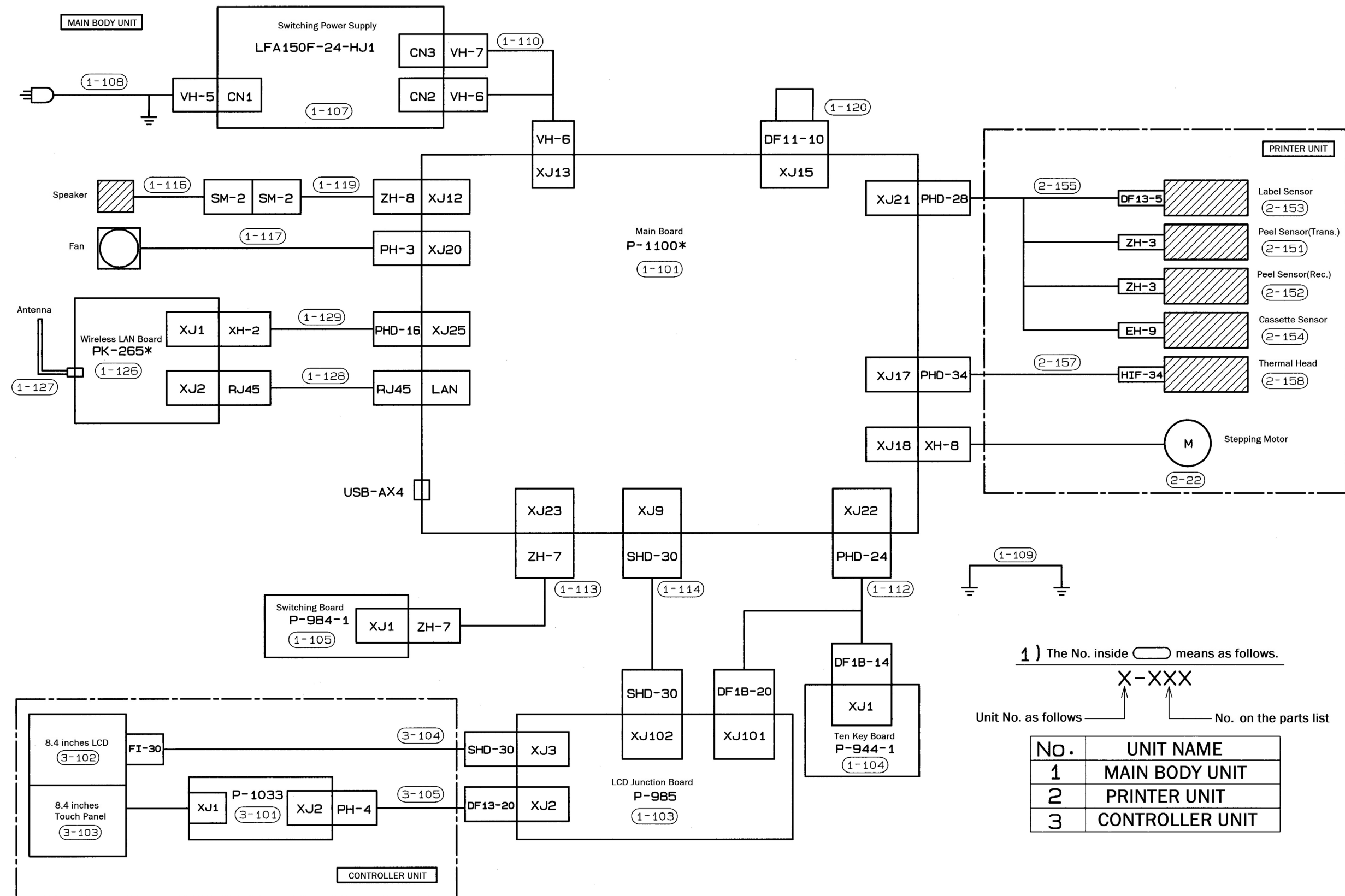
Ishida WIL-ACRO II

Main Body Unit and Wiring Diagram



Ishida WIL-ACRO II

Wiring Diagram



1) The No. inside means as follows.

X-XXX

Unit No. as follows

No. on the parts list

No.	UNIT NAME
1	MAIN BODY UNIT
2	PRINTER UNIT
3	CONTROLLER UNIT