

# Cover Unit - Lower

## Part Number/Price

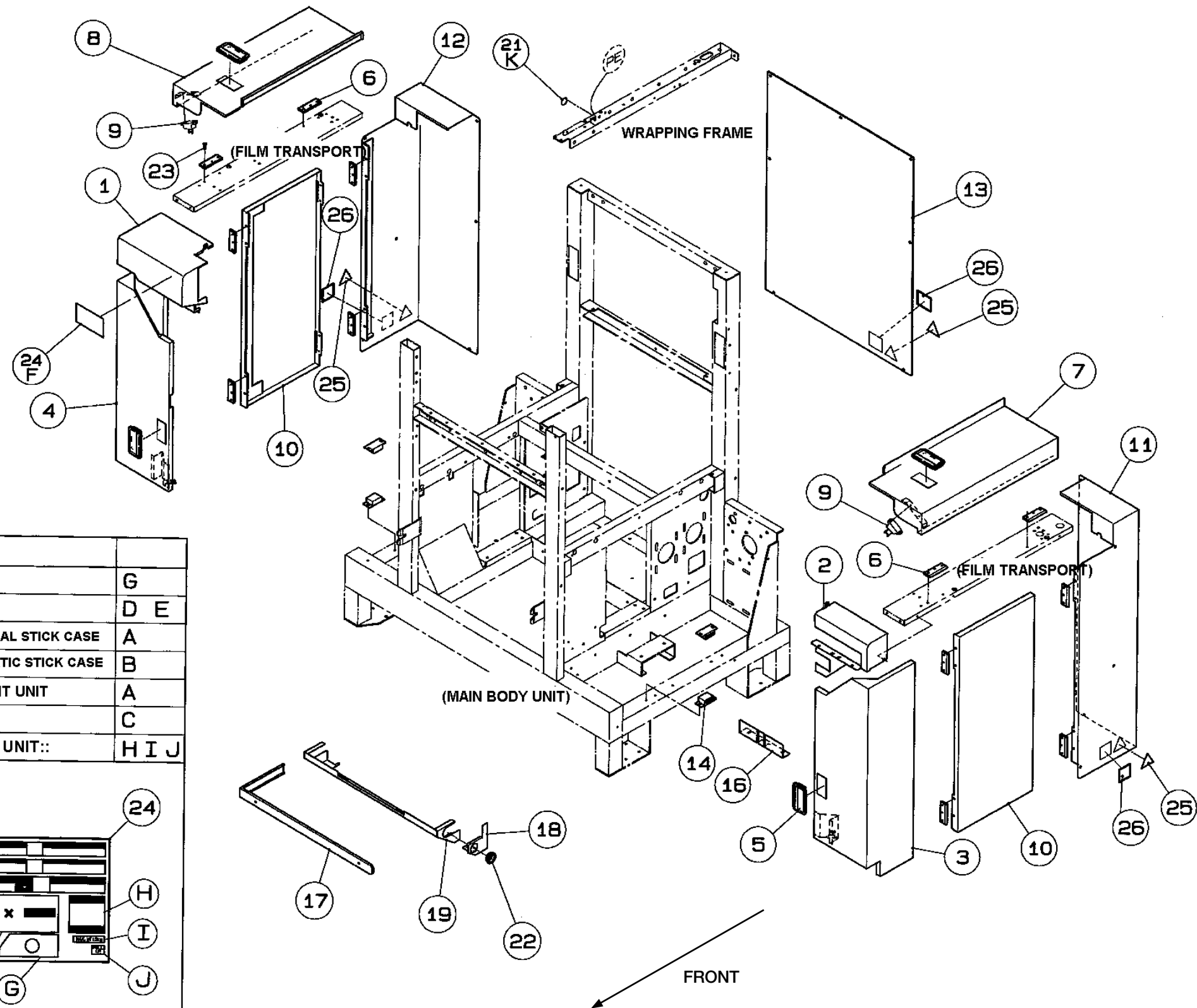
REF #	PART #	DESCRIPTION	QTY	SYNONYM	PRICE
1	Consult	Cover, motor	1	076-1983-21	\$167.00
2	Consult	Cover, stock	1	076-1991-21	\$104.00
3	Consult	Door, roll set	1	078-0911-51	\$169.00
4	Consult	Door, roll set	1	078-0912-54	\$169.00
5	Consult	Lug, handle insert	4	073-5832-06	\$4.00
6	Consult	Hinge	12	079-1230-03	\$5.00
7	Consult	Door, film piece clean	1	078-0908-59	\$118.00
8	Consult	Door, film piece clean	1	078-0909-52	\$118.00
9	70125	Switch actuator (key), adjustable	2	072-2365-05	\$43.00
10	Consult	Cover, main body, side	2	078-0903-32	\$120.00
11	Consult	Cover, main body, rear side	1	078-0905-67	\$148.00
12	Consult	Cover, main body, rear side	1	078-0906-61	\$148.00
13	Consult	Cover, main body, rear	1	078-0922-06	\$104.00
14	172642	Catch, magnet	4	079-1224-01	\$14.50
16	Consult	Cover, sensor, fold	1	076-2000-14	\$16.00
17	Consult	Cover, conveyor, front	1	076-1980-20	\$82.00
18	Consult	Cover, wiring	1	076-1987-25	\$15.00
19	Consult	Cover, conveyor, lower	1	113-7214-01	\$207.00
22	Consult	Accessory, bush, open lock	1	003-3135-02	\$2.00
23	200478	Screw, cross flat, M4x5 mm SST	48	090-5041-03	\$1.50
24	Consult	Decal, set, wrapper	1	106-6699-49	\$158.00
25	Consult	Name plate, lightning mark	3	002-9793-17	\$3.00
26	Consult	Name plate, junction	4	090-0877-01	\$41.00
—	41732	Screw, cover, SST, M4x6		00-0237-06	\$1.50

Price and availability confirmation recommended

An ISO 9001 Registered Company ©2022 Rice Lake Weighing Systems 1/22 Prices and specifications subject to change without notice. Visit [ricelake.com](http://ricelake.com) for current prices.

# Ishida WM-4000

Cover Unit - Lower



EMZ-J	
PRINTER	G
UPPER	D E
■ MANUAL STICK CASE	A
■ AUTOMATIC STICK CASE	B
WRAPPING LEFT RIGHT UNIT (FILM TRANSPORT)	A C
STOCK CONVEYOR UNIT::	H I J