

Discharge Pusher Unit

Part Number/Price

REF #	PART #	DESCRIPTION	QTY	SYNONYM	PRICE
1	Consult	Shaft, drive, pusher	1	069-2339-28	\$72.00
2	Consult	Bracket, motor, pusher BR	1	070-5318-15	\$38.00
3	Consult	Shaft, step, pusher	2	069-2344-27	\$11.00
4	Consult	Plate B, belt, pusher	2	090-0996-01	\$2.00
5	Consult	Block B, slide, pusher	2	076-3393-11	\$12.00
6	Consult	L plate B, sensor plate, pusher	1	072-2215-00	\$7.00
7	Consult	Bearing unit, flange	2	070-1132-06	\$23.00
8	188866	Pusher, packing	1	072-2495-33	\$89.50
9	161702	Gear, flat	1	045-3876-00	\$21.00
10	Consult	Collar, stopper	4	090-0963-09	\$2.00
11	172535	Timing pulley, S5M, AF	2	046-2326-11	\$23.00
12	185030	Pulley assy, wrapping	2	048-3920-02	\$38.50
13	72876	Timing belt, S5M	2	045-4372-03	\$39.50
14	172558	Gear head	1	056-2722-02	\$223.50
15	185503	Motor, DC brushless with brake (M8)	1	073-7451-08	\$315.50
16	Consult	Bracket, pusher	2	073-7272-26	\$27.00
17	Consult	Tapping screw, pan head	4	076-9624-04	\$1.00
—	106949	Black grip tape, magic tape	1	000-108-0220-05	\$5.50
18	104239	Photo interrupter, transmitter, home position, white conn. (B8)	1	070-5204-14	\$10.00

Price and availability confirmation recommended

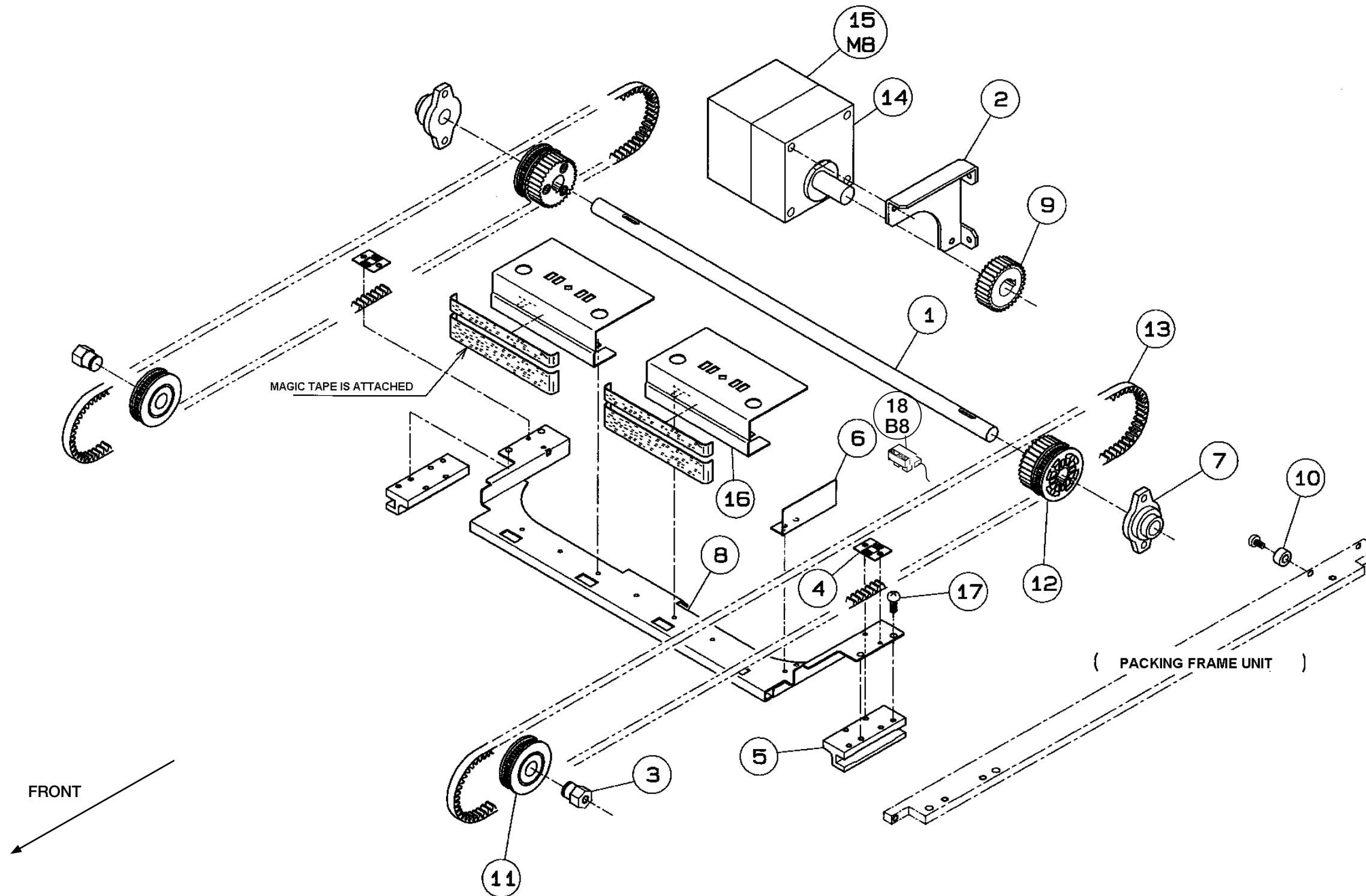
An ISO 9001 Registered Company ©2022 Rice Lake Weighing Systems 1/22 Prices and specifications subject to change without notice. Visit ricelake.com for current prices.

RICE LAKE
WEIGHING SYSTEMS

Discontinued Products

Ishida WM-4000

Discharge Pusher Unit



B8 - Discharge pusher home position