

Film Transport Unit, Left

Part Number/Price

REF #	PART #	DESCRIPTION	QTY	SYNONYM	PRICE
1	Consult	Bracket, linear shaft, rear	1	090-0665-09	\$32.00
2	Consult	Bracket, linear, bush, front	1	090-0663-01	\$32.00
3	Consult	Shaft, linear, transfer	2	069-2270-16	\$24.00
4	172568	Bearing, linear bush	4	070-1070-09	\$22.00
5	Consult	Housing, bush, slide	2	073-7230-11	\$21.00
6	Consult	Stay, slide	1	091-0544-27	\$88.00
7	Consult	Adapter, rod	1	069-2289-34	\$20.00
8	Consult	Holder, film slide	1	090-0732-14	\$200.00
9	Consult	Guide, film, insertion	1	072-2225-43	\$150.00
10	Consult	Holder, film, door	1	090-0727-51	\$145.00
11	Consult	Guide, film, inserted door	1	072-2224-12	\$74.00
12	Consult	Name plate, operation	1	106-6693-01	\$30.00
13	157852	Guide, film, loading	1	090-0621-14	\$7.00
15	Consult	Shaft, clutch, roller	1	069-2281-35	\$58.00
16	Consult	Clutch, one way	4	014-0221-05	\$19.00
17	84792	Bearing, radial, deep groove	4	051-4933-02	\$13.50
18	157887	Roller, clutch, slider	2	073-7467-07	\$14.50
19	Consult	Detect plate, insertion, top and B	1	091-0501-09	\$2.00
20	Consult	Spring, coil, compressive	1	070-5176-04	\$79.00
22	Consult	Bush	2	063-5128-08	\$2.00
23	Consult	Roller insertion	1	069-2267-14	\$27.00
24	Consult	Cover, roll	1	090-0622-09	\$7.00
26	157853	Catch, push latch	1	070-1072-06	\$7.00
28	173786	Hinge	2	013-7463-08	\$12.00
29	Consult	Bracket, support	1	090-0999-11	\$7.00
30	Consult	Bracket, support	1	090-1000-15	\$7.00
31	172968	Support assy cutter	1	090-0780-13	\$229.00
32	Consult	Pin, fulcrum, cutter	2	072-2385-19	\$9.00
34	78083	Bush	2	037-4818-02	\$3.50
35	Consult	Lever assy, cutter, front	1	090-0509-01	\$34.00
36	Consult	Lever assy, cutter, rear	1	090-0512-02	\$34.00
39	185863	Spring, coil, compressive	2	076-3329-03	\$2.50
40	74452	Hanger, spring	4	003-6479-04	\$4.50
41	Consult	Bracket, cutter	1	076-9850-19	\$38.00
42	157905	Cutter, sawtooth	1	076-9952-15	\$187.50
43	174449	Block B, cutter, hold	4	076-9824-21	\$4.50
44	188867	Pin assy, cutter, hold	4	000-116-1899-01	\$7.00
45	188868	Pin assy, cutter, upper	4	000-116-1898-08	\$7.00
47	174135	Spring, plate, cutter	2	091-0512-28	\$8.00
49	Consult	Rubber pad	2	052-4630-01	\$1.00
50	Consult	Bracket, sensor	1	090-0737-31	\$24.00
52	Consult	Bracket, sensor, insertion	1	091-0527-05	\$9.00
53	Consult	Guide, sensor	1	091-0557-07	\$35.00
54	Consult	Name plate, scale, film	1	073-7112-05	\$6.00
55	Consult	Bracket, sensor	1	091-0551-05	\$24.00
56	Consult	Holder, sensor, insertion	1	073-7155-14	\$11.00

Discontinued Products

Price and availability confirmation recommended

An ISO 9001 Registered Company ©2022 Rice Lake Weighing Systems 1/22 Prices and specifications subject to change without notice. Visit ricelake.com for current prices.



Film Transport Unit, Left

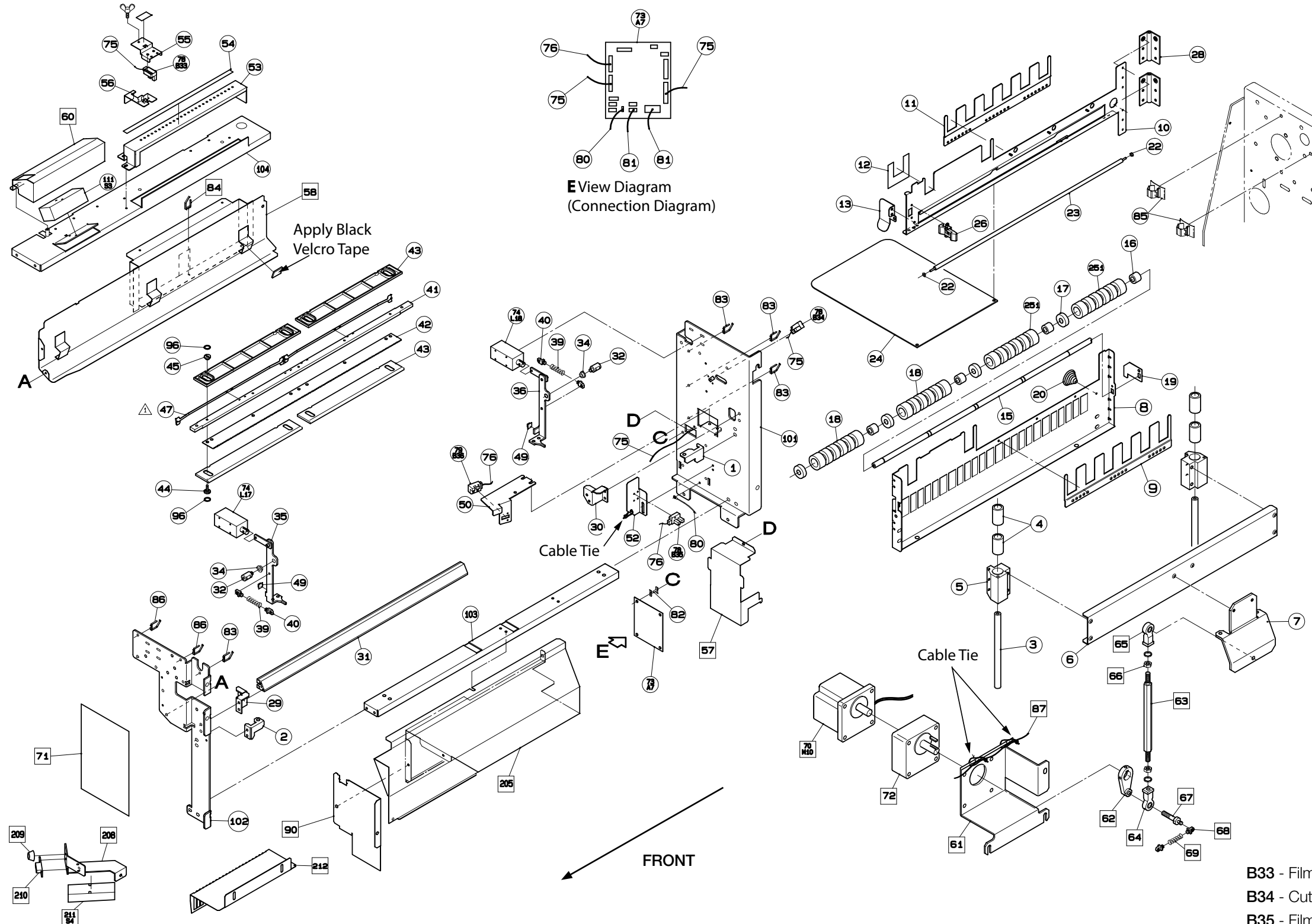
Part Number/Price

REF #	PART #	DESCRIPTION	QTY	SYNONYM	PRICE
57	Consult	Cover, PWB, transport	1	090-0733-27	\$19.00
58	Consult	Cover, loading	1	090-0751-06	\$85.00
60	Consult	Cover, film transport, upper	1	091-2104-10	\$23.00
61	Consult	Bracket, motor, insert	1	079-8928-22	\$24.00
62	Consult	Lever, drive, hand-over	1	076-1777-01	\$16.00
63	Consult	Threaded rod, turnbuckle, MM	1	069-2284-36	\$22.00
64	Consult	Rod end, type I, F	1	000-3739-00	\$35.00
65	Consult	Rod end, type I, F	1	016-8825-08	\$35.00
66	Consult	Hex nut, T1, left-handed thread	1	000-0111-01	\$2.00
67	Consult	Pin, hanger, spring	1	070-1327-32	\$12.00
68	Consult	Hanger, spring	2	011-5180-11	\$2.00
69	Consult	Spring, coil, compressive	1	070-1328-09	\$4.00
70	162943	Motor, DC brushless with brake (M10)	1	073-7450-04	\$315.50
71	Consult	Name plate, explanation	1	106-6697-05	\$28.00
72	Consult	Gear head	1	055-9082-01	\$216.00
73	157894	PWB, P-922A-1 (A7)	1	068-9900-35	\$158.50
74	174136	Solenoid assy, cutter (L17, L18)	2	073-7081-03	\$31.00
75	Consult	Harness, C6, film transfer L	1	072-2297-14	\$21.00
76	Consult	Harness, C3, film insertion L	1	090-0786-15	\$8.00
78	104239	Photo interrupter, transmitter, white conn. (B33, B34, B35)	3	070-5204-14	\$10.00
79	157856	Photo interrupter, transmitter, insertion plate - open, black conn. (B36)	1	070-5205-18	\$12.00
80	Consult	Harness, C2, ground	1	072-2104-28	\$2.00
81	Consult	Harness, C4, film transfer L	1	072-2252-26	\$34.00
82	47027	PWB accessory, card spacer	4	000-1796-05	\$1.50
83	Consult	Accessory, clamp, LWS clamp	4	073-7213-08	\$1.00
84	Consult	Accessory, clamp, LWS clamp	1	073-7214-01	\$1.00
85	Consult	Accessory, clamp, CKS clamp	2	052-4732-08	\$3.00
86	Consult	Accessory, clamp, LWS clamp	2	073-7212-04	\$1.00
87	Consult	Harness, C3, fan heater L	1	073-7237-16	\$11.00
90	Consult	Cover, roll, front	1	090-0759-14	\$18.00
101	Consult	Frame, transport, rear	1	090-0744-28	\$58.00
102	Consult	Frame, transport, front	1	090-0741-36	\$75.00
103	Consult	Bracket, linear shaft, lower	1	090-0624-15	\$27.00
104	Consult	Stay change	1	079-8939-51	\$69.00
111	157866	Switch, safety, film removal door (S3)	1	111-8428-00	\$84.00
205	Consult	Cover, roll	1	090-0762-43	\$77.00
208	Consult	Bracket, switch	1	091-0520-19	\$19.00
209	Consult	Rubber pad	1	000-3965-05	\$2.00
210	Consult	Catch, magnet	1	006-3205-01	\$7.00
211	157866	Switch, safety, side door (S4)	1	111-8428-00	\$84.00
212	Consult	Cover, fan heater	1	073-7427-17	\$12.00
251	157886	Roller, clutch, slider	2	098-3477-13	\$31.00

Ishida WM-4000

Film Transport Unit, Left

Seal: Set: Wrapper
Lower Cover Unit



- B33 - Film width detection
- B34 - Cutter home position
- B35 - Film insertion plate home position
- B36 - Film insertion plate open/closed