

# Film Transport Unit, Right

## Part Number/Price

| REF # | PART #  | DESCRIPTION                        | QTY | SYNONYM         | PRICE    |
|-------|---------|------------------------------------|-----|-----------------|----------|
| 1     | Consult | Frame, transfer, rear              | 1   | 090-0743-24     | \$58.00  |
| 2     | Consult | Frame, transfer, front             | 1   | 090-0740-32     | \$79.00  |
| 3     | Consult | Bracket, linear shaft, lower       | 1   | 090-0624-15     | \$27.00  |
| 4     | Consult | Bracket, linear shaft, rear        | 1   | 090-0666-02     | \$32.00  |
| 5     | Consult | Bracket, linear bush, front        | 1   | 090-0662-08     | \$32.00  |
| 6     | Consult | Shaft, linear, transfer            | 2   | 069-2270-16     | \$24.00  |
| 7     | 172568  | Bearing, linear bush               | 4   | 070-1070-09     | \$22.00  |
| 8     | Consult | Housing, bush, slide               | 2   | 073-7230-11     | \$21.00  |
| 9     | Consult | Stay, slide                        | 1   | 091-0544-27     | \$88.00  |
| 10    | Consult | Adapter, rod                       | 1   | 069-2289-34     | \$20.00  |
| 11    | Consult | Holder, film, slide                | 1   | 090-0731-11     | \$200.00 |
| 12    | Consult | Guide, film insertion              | 1   | 072-2225-43     | \$150.00 |
| 13    | 157885  | Holder, film, door                 | 1   | 090-0726-58     | \$158.50 |
| 14    | Consult | Guide, film, inserted door         | 1   | 072-2224-12     | \$74.00  |
| 15    | Consult | Name plate, operation              | 1   | 106-6693-01     | \$30.00  |
| 16    | Consult | Guide, film loading                | 1   | 090-0620-11     | \$14.00  |
| 18    | Consult | Shaft, clutch roller               | 1   | 069-2281-35     | \$58.00  |
| 19    | Consult | Clutch, one way                    | 4   | 014-0221-05     | \$19.00  |
| 20    | 84792   | Bearing, radial, deep groove       | 4   | 051-4933-02     | \$13.50  |
| 21    | 157887  | Roller, clutch slider              | 2   | 073-7467-07     | \$14.50  |
| 22    | Consult | Detect plate, insertion, top and B | 1   | 091-0501-09     | \$2.00   |
| 23    | Consult | Spring, coil, compressive          | 1   | 070-5176-04     | \$79.00  |
| 25    | Consult | Bush                               | 2   | 063-5128-08     | \$2.00   |
| 26    | Consult | Roller insertion                   | 1   | 069-2267-14     | \$27.00  |
| 27    | Consult | Cover, roll                        | 1   | 090-0622-09     | \$7.00   |
| 29    | 157853  | Catch, push latch                  | 1   | 070-1072-06     | \$7.00   |
| 31    | 173786  | Hinge                              | 2   | 013-7463-08     | \$12.00  |
| 32    | Consult | Bracket, support                   | 1   | 090-0999-11     | \$7.00   |
| 33    | Consult | Bracket, support                   | 1   | 090-1000-15     | \$7.00   |
| 34    | 172968  | Support assy cutter                | 1   | 090-0780-13     | \$229.00 |
| 35    | Consult | Pin, fulcrum, cutter               | 2   | 072-2385-19     | \$9.00   |
| 37    | 78083   | Bush                               | 2   | 037-4818-02     | \$3.50   |
| 38    | Consult | Lever assy, cutter, front          | 1   | 090-0508-07     | \$34.00  |
| 39    | Consult | Lever assy, cutter rear            | 1   | 090-0511-09     | \$34.00  |
| 42    | 185863  | Spring, coil, compressive          | 2   | 076-3329-03     | \$2.50   |
| 43    | 74452   | Hanger, spring                     | 4   | 003-6479-04     | \$4.50   |
| 44    | Consult | Bracket, cutter                    | 1   | 076-9850-19     | \$38.00  |
| 45    | 157905  | Cutter, saw teeth                  | 1   | 076-9952-15     | \$187.50 |
| 46    | 174449  | Block B, cutter, hold              | 4   | 076-9824-21     | \$4.50   |
| 47    | 188867  | Pin assy, cutter, hold             | 4   | 000-116-1899-01 | \$7.00   |
| 48    | 188868  | Pin assy, cutter, upper            | 4   | 000-116-1898-08 | \$7.00   |
| 49    | 174135  | Spring, plate, cutter              | 2   | 091-0512-28     | \$8.00   |
| 51    | Consult | Rubber pad                         | 2   | 052-4630-01     | \$1.00   |
| 52    | Consult | Bracket, sensor                    | 1   | 090-0736-37     | \$24.00  |
| 54    | Consult | Bracket, sensor insertion          | 1   | 091-0526-01     | \$9.00   |
| 55    | Consult | Stay change                        | 1   | 079-8938-57     | \$69.00  |

Price and availability confirmation recommended

An ISO 9001 Registered Company ©2022 Rice Lake Weighing Systems 1/22 Prices and specifications subject to change without notice. Visit [ricelake.com](http://ricelake.com) for current prices.

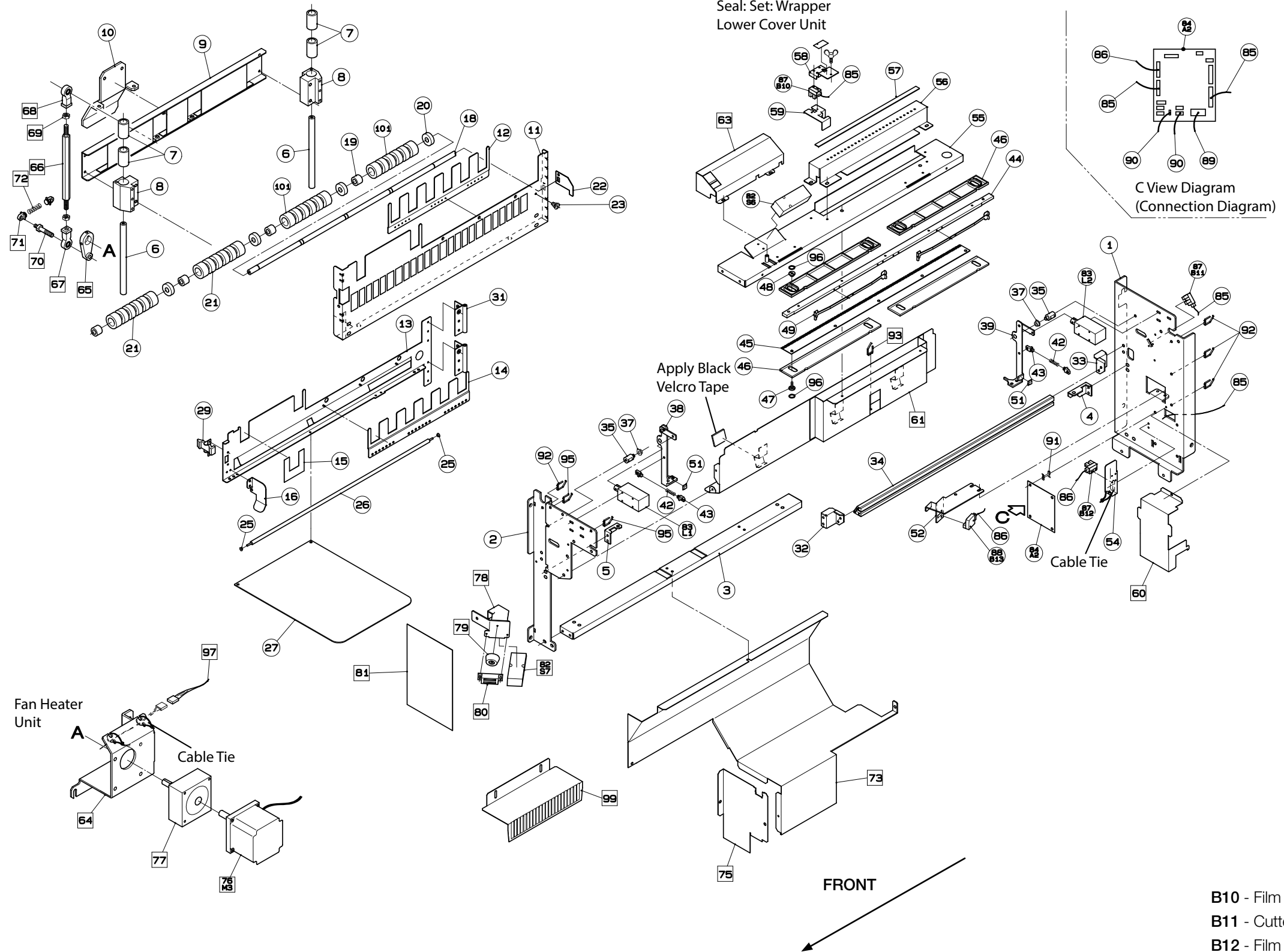
# Film Transport Unit, Right

## Part Number/Price

| REF # | PART #  | DESCRIPTION   | QTY | SYNONYM     | PRICE    |
|-------|---------|---|-----|-------------|----------|
| 56    | Consult | Guide, sensor   | 1   | 091-0556-03 | \$35.00  |
| 57    | Consult | Name plate, scale film  | 1   | 073-7112-05 | \$6.00   |
| 58    | Consult | Bracket sensor  | 1   | 091-0551-05 | \$24.00  |
| 59    | Consult | Holder, sensor, insertion   | 1   | 073-7154-11 | \$11.00  |
| 60    | Consult | Cover, PWB, transport   | 1   | 090-0733-27 | \$19.00  |
| 61    | Consult | Cover, loading  | 1   | 090-0750-02 | \$85.00  |
| 63    | Consult | Cover, film transport upper   | 1   | 091-2103-16 | \$23.00  |
| 64    | Consult | Bracket, motor, insert  | 1   | 079-8927-29 | \$24.00  |
| 65    | Consult | Lever, drive, hand-over   | 1   | 076-1777-01 | \$16.00  |
| 66    | Consult | Threaded rod, turnbuckle, MM  | 1   | 069-2284-36 | \$22.00  |
| 67    | Consult | Rod end, type I, F  | 1   | 000-3739-00 | \$35.00  |
| 68    | Consult | Rod end, type I, F  | 1   | 016-8825-08 | \$35.00  |
| 69    | Consult | Hex nut, T1, left-handed thread   | 1   | 000-0111-01 | \$2.00   |
| 70    | Consult | Pin, hanger, spring   | 1   | 070-1327-32 | \$12.00  |
| 71    | Consult | Hanger, spring  | 2   | 011-5180-11 | \$2.00   |
| 72    | Consult | Spring, coil, compressive   | 1   | 070-1328-09 | \$4.00   |
| 73    | Consult | Cover, roll   | 1   | 090-0761-40 | \$77.00  |
| 75    | Consult | Cover, roll, front  | 1   | 090-0758-11 | \$18.00  |
| 76    | 162943  | Motor, DC brushless with brake (M3)                                       | 1   | 073-7450-04 | \$315.50 |
| 77    | Consult | Gear head   | 1   | 055-9082-01 | \$216.00 |
| 78    | Consult | Bracket switch  | 1   | 091-0519-14 | \$19.00  |
| 79    | Consult | Rubber pad  | 1   | 000-3965-05 | \$2.00   |
| 80    | Consult | Catch magnet  | 1   | 006-3205-01 | \$7.00   |
| 81    | Consult | Name plate, explanation   | 1   | 106-6696-01 | \$28.00  |
| 82    | 157866  | Switch, safety (film removal and side doors) (S6, S7)                     | 2   | 111-8428-00 | \$84.00  |
| 83    | 174136  | Solenoid assy, cutter (L1, L2)  | 2   | 073-7081-03 | \$31.00  |
| 84    | 157894  | PWB, P-922, A-1 (A2)  | 1   | 068-9900-35 | \$158.50 |
| 85    | Consult | Harness, C6, film transfer R  | 1   | 070-9686-20 | \$21.00  |
| 86    | Consult | Harness, C3, film insertion R   | 1   | 090-0785-02 | \$9.00   |
| 87    | 104239  | Photo interrupter, transmitter, white conn. (B10, B11, B12)               | 3   | 070-5204-14 | \$10.00  |
| 88    | 157856  | Photo interrupter, transmitter, insertion plate - open, black conn. (B13) | 1   | 070-5205-18 | \$12.00  |
| 89    | Consult | Harness, C2, ground   | 1   | 072-2104-28 | \$2.00   |
| 90    | Consult | Harness, C4, film transfer R  | 1   | 072-2251-22 | \$26.00  |
| 91    | 47027   | PWB accessory, card spacer  | 4   | 000-1796-05 | \$1.50   |
| 92    | Consult | Accessory, clamp, LWS clamp   | 4   | 073-7213-08 | \$1.00   |
| 93    | Consult | Accessory, clamp, LWS clamp   | 1   | 073-7214-01 | \$1.00   |
| 95    | Consult | Accessory, clamp, LWS clamp   | 2   | 073-7212-04 | \$1.00   |
| 97    | Consult | Harness, C3, fan heater R   | 1   | 073-7233-11 | \$11.00  |
| 99    | Consult | Cover, fan heater   | 1   | 073-7427-17 | \$12.00  |
| 101   | 157886  | Roller, clutch, slider  | 2   | 098-3477-13 | \$31.00  |

# Ishida WM-4000

Film Transport Unit, Right



- B10 - Film width detection
- B11 - Cutter home position
- B12 - Film insertion plate home position
- B13 - Film insertion plate open/closed