

# Frame Unit

## Part Number/Price

REF #	PART #	DESCRIPTION	QTY	SYNONYM	PRICE
1	Consult	Frame, connect, link	1	090-0672-23	\$48.00
2	Consult	Frame, motor, wrapper	1	076-9985-36	\$90.00
3	Consult	Frame, link, R	1	091-0508-04	\$38.00
4	Consult	Frame, link, L	1	090-0669-12	\$52.00
5	Consult	Frame, wrapper, L	1	090-0754-25	\$48.00
6	Consult	Frame, wrapper, R	1	090-0755-29	\$48.00
7	Consult	Frame, slide, packing	2	072-2344-25	\$66.00
8	Consult	L plate B sensor, fold	1	072-2217-25	\$9.00
9	Consult	Bracket, tension, pusher L	1	090-0756-22	\$45.00
10	Consult	Bracket, tension, pusher R	1	073-7249-39	\$32.00
11	Consult	Frame, power SW	1	090-0668-00	\$25.00
12	Consult	Bracket, MC	1	090-0670-26	\$16.00
13	152168	Photo, interrupter, transmitter (B25)	1	072-2099-048	\$15.50
14	152169	Photo, interrupter, receiver (B26)	1	072-2100-05	\$26.50
16	72842	Switch, rotary, main power on/off (S1)	1	072-2230-06	\$118.00
17	157897	Power supply, switching (U1, U2)	2	110-7784-05	\$247.50
18	157865	Electromagnetic contactor	1	069-2403-05	\$77.50
19	Consult	Harness, C4, MC coil	1	069-6755-38	\$12.00
21	Consult	Harness, S2, short circuit M	1	069-4568-21	\$4.00
22	Consult	Harness, S2, short circuit MC	1	069-4567-28	\$4.00
23	157866	Switch, safety, printer door (S2)	1	111-8428-00	\$84.00
24	104239	Photo interrupter, transmitter, white conn. (B6, B7, B8)	3	070-5204-14	\$10.00
26	Consult	Frame, applicator base, rear	1	090-0671-20	\$69.00
28	116274	Electromagnetic, coil surge (Z3)	1	072-2108-04	\$33.00
29	Consult	Harness, C14, PS DC	1	072-2266-46	\$69.00
30	Consult	Harness, C14, signal	1	098-8345-04	\$72.00
31	157895	Relay, solid state (K5)	1	073-7118-07	\$33.00
35	Consult	Accessory fastener, edge saddle	2	064-0360-05	\$2.00
37	Consult	Accessory, clamp, LWS clamp	17	073-7214-01	\$1.00
38	Consult	Accessory, clamp, LWS clamp	6	073-7212-04	\$1.00
39	Consult	Accessory, clamp, LWS clamp	1	073-7213-08	\$1.00

Price and availability confirmation recommended

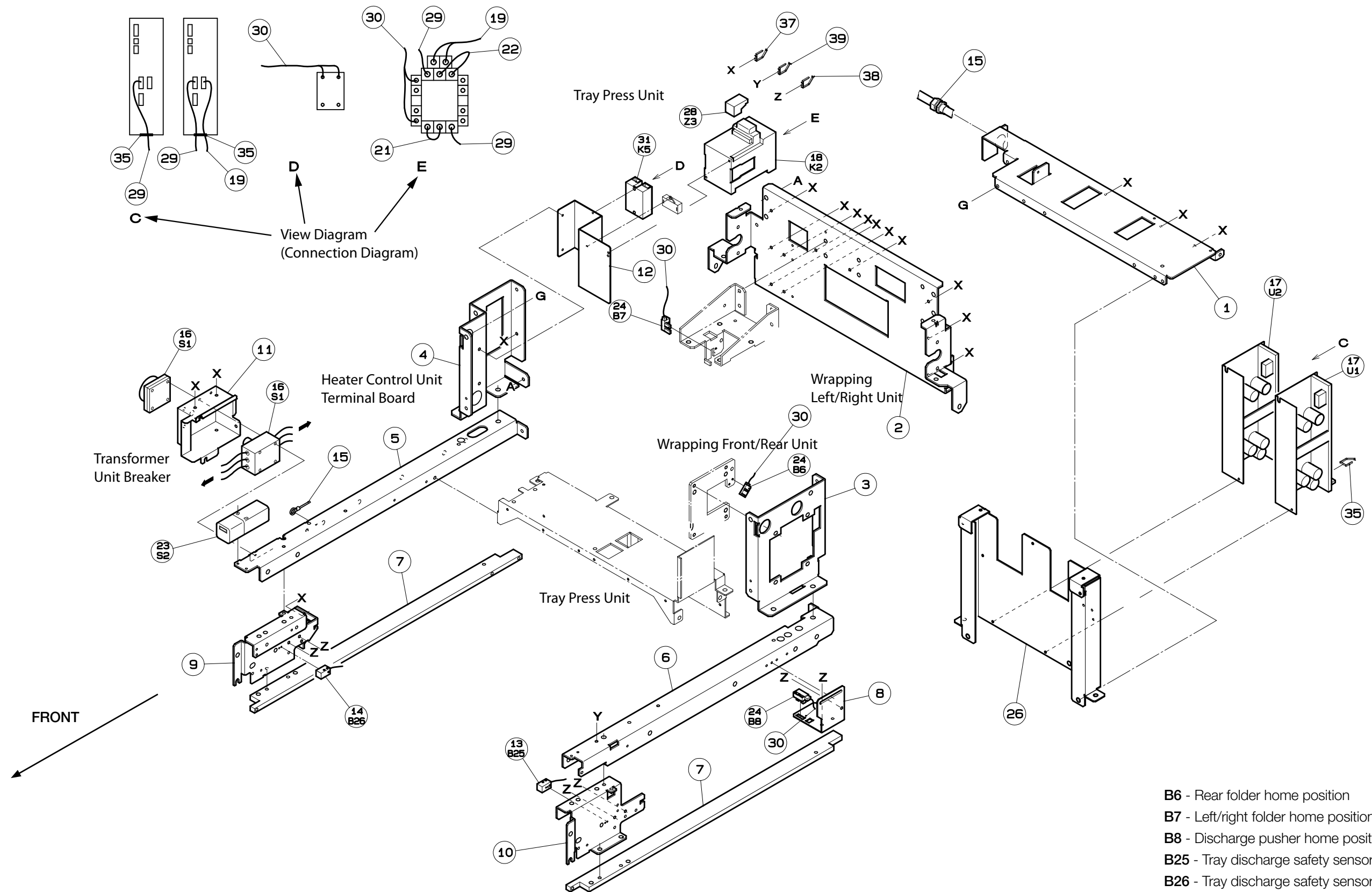
An ISO 9001 Registered Company ©2022 Rice Lake Weighing Systems 1/22 Prices and specifications subject to change without notice. Visit [ricelake.com](http://ricelake.com) for current prices.

**RICE LAKE**  
WEIGHING SYSTEMS

Discontinued Products

# Ishida WM-4000

Frame Unit



- B6 - Rear folder home position
- B7 - Left/right folder home position
- B8 - Discharge pusher home position
- B25 - Tray discharge safety sensor, transmitter
- B26 - Tray discharge safety sensor, receiver