

# Infeed Conveyor Unit

## Part Number/Price

| REF # | PART #  | DESCRIPTION   | QTY | SYNONYM     | PRICE    |
|-------|---------|---|-----|-------------|----------|
| 1     | Consult | Sprocket, 35, C   | 2   | 079-3055-14 | \$38.00  |
| 3     | Consult | Shaft, fixed  | 1   | 079-3031-24 | \$30.00  |
| 4     | Consult | Shaft, tension  | 1   | 079-3032-00 | \$25.00  |
| 5     | Consult | Sprocket, 35, C   | 2   | 079-3056-18 | \$34.00  |
| 6     | Consult | Sprocket assy   | 2   | 076-9971-16 | \$66.00  |
| 7     | Consult | Sprocket, T35, B  | 3   | 076-9805-11 | \$28.00  |
| 8     | Consult | Shaft, drive  | 1   | 070-1024-34 | \$48.00  |
| 9     | 106115  | Bearing, radial, deep groove                            | 2   | 030-6366-02 | \$13.50  |
| 10    | Consult | Chain, roller, SST, drive motor                         | 1   | 057-7088-00 | \$24.00  |
| 11    | Consult | Sprocket assy, motor                                    | 1   | 076-9972-10 | \$41.00  |
| 12    | Consult | Bracket, motor, conveyor                                | 1   | 090-0657-18 | \$48.00  |
| 13    | Consult | Bracket, cover, motor                                   | 1   | 079-3036-22 | \$126.00 |
| 14    | 193373  | Gear, flat  | 2   | 076-1963-08 | \$52.50  |
| 17    | Consult | Holder, shaft, lower                                    | 1   | 076-9797-05 | \$6.00   |
| 18    | Consult | Threaded rod, round, FF                                 | 1   | 072-2111-06 | \$25.00  |
| 19    | Consult | Cover, gear   | 1   | 072-2200-04 | \$22.00  |
| 20    | Consult | Bracket, connector                                      | 1   | 070-5228-31 | \$34.00  |
| 21    | Consult | Cover, infeed, board                                    | 1   | 079-3026-43 | \$35.00  |
| 22    | 162625  | Guide, transfer   | 1   | 098-3138-39 | \$110.50 |
| 23    | Consult | Frame, conveyor L                                       | 1   | 079-3038-48 | \$189.00 |
| 24    | Consult | Frame, conveyor R                                       | 1   | 079-3039-41 | \$189.00 |
| 25    | Consult | Bracket, sensor, starting point                         | 1   | 070-1103-44 | \$24.00  |
| 27    | Consult | Cover, harness  | 1   | 090-0764-13 | \$30.00  |
| 28    | Consult | Rail  | 1   | 079-3028-22 | \$55.00  |
| 29    | Consult | Rail  | 1   | 079-3029-26 | \$55.00  |
| 32    | Consult | Threaded rod, round, FF                                 | 1   | 070-1033-10 | \$24.00  |
| 35    | 157850  | Guide, pusher, L+R (set)                                | 1   | 101-1852-01 | \$216.00 |
| --    | 156992  | Guide, pusher, extended, L+R (set)                      |     |             | \$480.00 |
| 36    | 157849  | Threaded rod, round, mm                                 | 2   | 072-2229-01 | \$10.00  |
| 37    | 47159   | Knob, includes nut                                      | 4   | 000-1543-00 | \$4.00   |
| 38    | 157882  | Chain, roller, infeed pusher                            | 2   | 070-1023-12 | \$77.50  |
| 39    | 157848  | Pusher, feed, PS  | 3   | 098-3287-21 | \$201.00 |
| 41    | Consult | Cover, lower  | 1   | 079-3034-25 | \$85.00  |
| 44    | Consult | Spring, coil, compressive                               | 2   | 091-0601-08 | \$6.00   |
| 45    | Consult | Cover, conveyor   | 1   | 090-0658-49 | \$131.00 |
| 46    | 159671  | PWB, P-921, infeed I/O (A6)                             | 1   | 068-9898-21 | \$89.50  |
| 47    | Consult | Harness, C2, comm                                       | 1   | 069-6787-55 | \$11.00  |
| 48    | Consult | Harness, C5, lower cover                                | 1   | 072-2097-34 | \$8.00   |
| 49    | 157866  | Switch, safety, infeed and debris door (S8, S9)         | 2   | 111-8428-00 | \$84.00  |
| 50    | Consult | Harness, C7, drawer                                     | 1   | 071-4665-30 | \$15.00  |
| 51    | 187755  | Sensor assy, centering (B29)                            | 1   | 072-2096-31 | \$68.00  |
| 52    | Consult | Harness, C3, sensor                                     | 1   | 090-0787-00 | \$12.00  |
| 53    | 104239  | Photo interrupter, transmitters, white conn. (B30, B31) | 2   | 070-5204-14 | \$10.00  |
| 54    | 167686  | Motor, stepping, infeed (M12)                           | 1   | 070-1251-06 | \$226.00 |
| 55    | Consult | Motor, stepping, centering (M13)                        | 1   | 070-1416-03 | \$158.00 |
| 56    | Consult | Harness, C2, ground                                     | 1   | 072-2104-28 | \$2.00   |
| 57    | Consult | Accessory, clamp, flat clamp                            | 1   | 065-1823-03 | \$7.00   |
| 58    | Consult | Accessory, clamp, LWS clamp                             | 2   | 073-7214-01 | \$1.00   |
| 59    | Consult | Accessory, clamp, LWS clamp                             | 1   | 073-7212-04 | \$1.00   |
| 60    | Consult | Accessory, fastener                                     | 1   | 073-7211-01 | \$2.00   |
| 61    | Consult | Accessory, fastener, edge saddle                        | 1   | 064-0360-05 | \$2.00   |
| 62    | 47027   | PWB accessory, card spacer                              | 4   | 000-1796-05 | \$1.50   |
| 64    | Consult | Name plate, caution                                     | 1   | 106-6701-16 | \$58.00  |
| 65    | Consult | Accessory, clamp, LWS clamp                             | 2   | 073-7213-08 | \$1.00   |
| 66    | Consult | Pin, feed, fulcrum                                      | 6   | 090-0912-09 | \$5.00   |
| 68    | Consult | Cap, harness, switch                                    | 2   | 091-0707-09 | \$2.00   |
| 101   | Consult | Name plate, level                                       | 1   | 025-2570-09 | \$15.00  |

Price and availability confirmation recommended

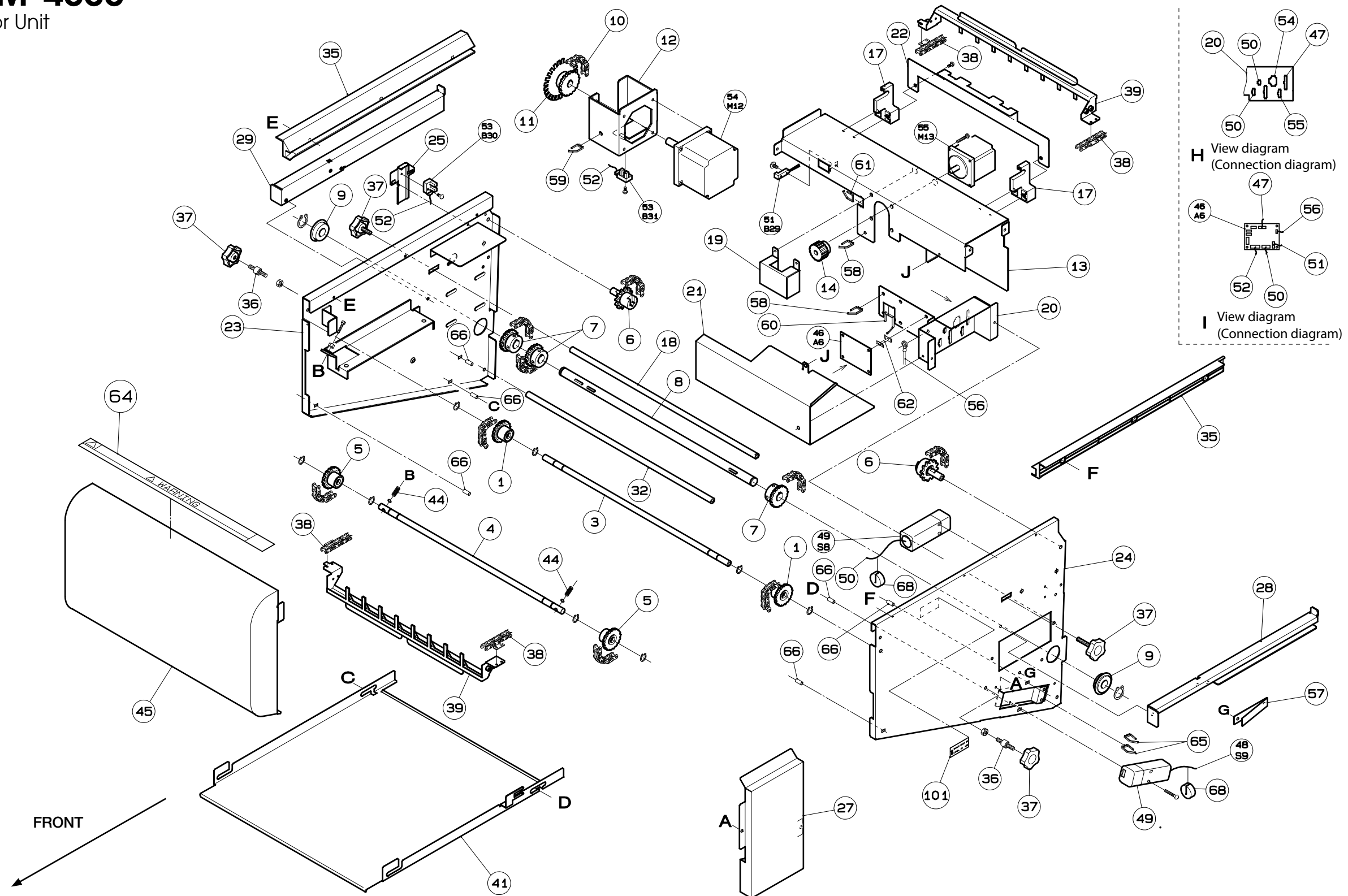
An ISO 9001 Registered Company ©2022 Rice Lake Weighing Systems 1/22 Prices and specifications subject to change without notice. Visit [ricelake.com](http://ricelake.com) for current prices.

**RICE LAKE**  
WEIGHING SYSTEMS

Discontinued Products

# Ishida WM-4000

Infeed Conveyor Unit



- B29 - Centering home position
- B30 - Infeed pushers home position
- B31 - Infeed motor timing wheel