

Lift Changeover Unit

Part Number/Price

REF #	PART #	DESCRIPTION	QTY	SYNONYM	PRICE
1	Consult	Frame, change	1	101-1520-23	\$126.00
2	Consult	Bracket, sensor, change	1	079-3051-10	\$20.00
5	Consult	Bracket, stopper	1	101-1518-25	\$48.00
6	Consult	Bracket, stopper	1	101-1519-29	\$48.00
7	Consult	Bracket, change, lift, R	1	098-8199-25	\$82.00
8	Consult	Block B, change	1	079-1293-17	\$3.00
9	Consult	U plate B, link, change	1	069-2385-20	\$45.00
10	Consult	Pin, move, change	1	069-2389-33	\$12.00
11	Consult	Pin, fulcrum, change	1	079-3046-11	\$12.00
12	Consult	Collar, link	1	069-2387-27	\$8.00
13	Consult	Boss, motor, changeover	1	076-1782-01	\$12.00
14	Consult	Plate B, sensor plate, changeover	1	072-2185-20	\$4.00
15	Consult	Shaft, moving, lift changeover	2	070-5185-26	\$9.00
16	182003	Gear head	1	025-3814-01	\$217.00
17	182004	Bush	2	028-1527-06	\$2.50
18	104239	Photo interrupter, trans, white conn. (B1, B2)	2	070-5204-14	\$10.00
19	182005	Motor assy lift changeover (M15)	1	069-4690-23	\$167.00
20	Consult	L plate B, nut plate, lift	1	079-3043-01	\$11.00
21	Consult	Block B, lift change, ratch	1	091-0529-02	\$41.00
22	Consult	Block B, lift change, ratch	1	091-0530-07	\$41.00
23	Consult	Accessory, clamp LWS clamp	3	073-7213-08	\$1.00
24	Consult	Collar, link, change B	1	073-7367-08	\$6.00
25	Consult	Harness, C4, lift sensor	1	069-4559-46	\$38.00
26	Consult	Accessory, clamp, LWS clamp	3	073-7212-04	\$1.00

Price and availability confirmation recommended

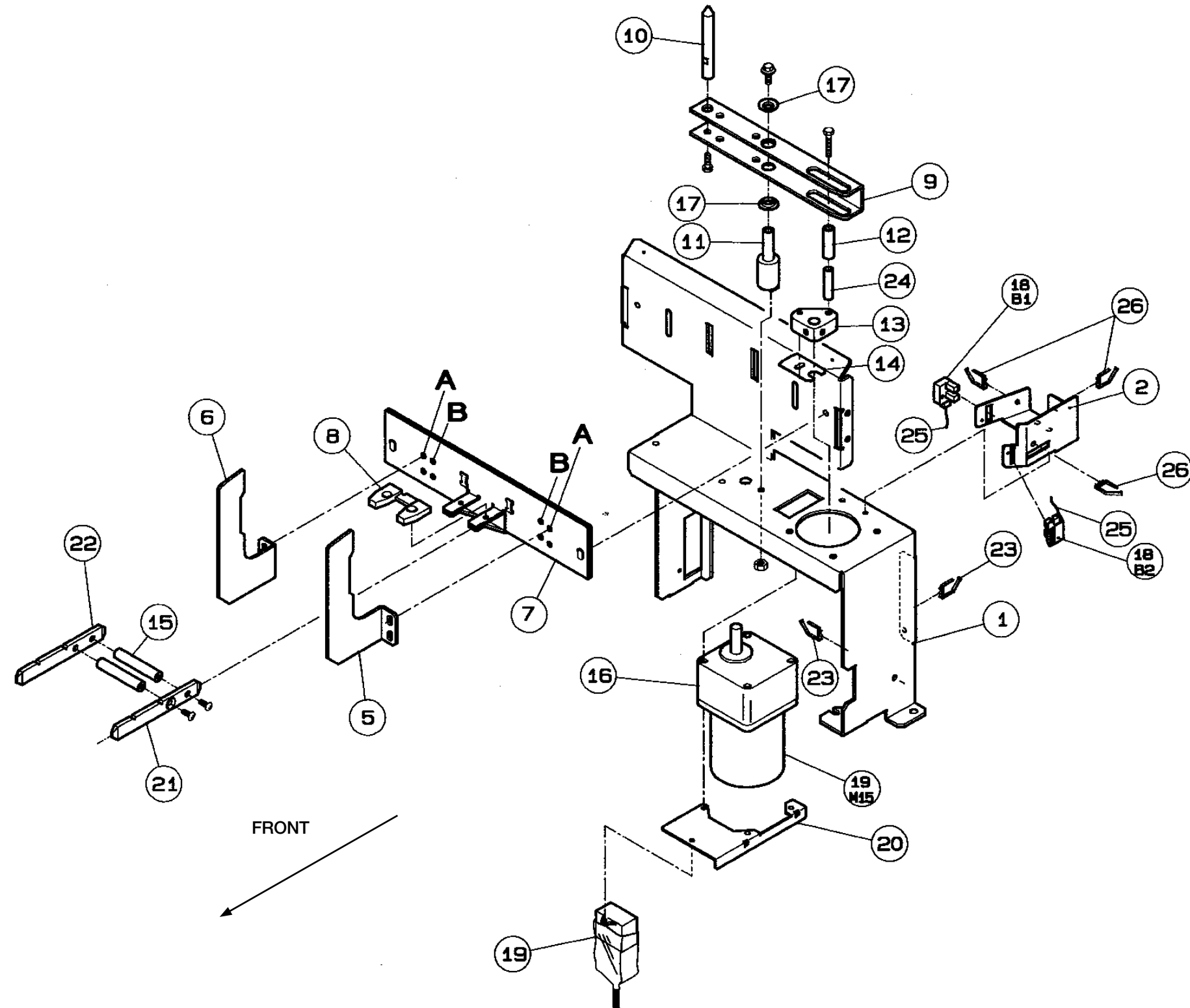
An ISO 9001 Registered Company ©2022 Rice Lake Weighing Systems 1/22 Prices and specifications subject to change without notice. Visit ricelake.com for current prices.

RICE LAKE
WEIGHING SYSTEMS

Discontinued Products

Ishida WM-4000

Lift Changeover Unit



B1 - Lift changeover, large
 B2 - Lift changeover, small