

Lift Drive Unit

Part Number/Price

REF #	PART #	DESCRIPTION	QTY	SYNONYM	PRICE
1	Consult	Base, lift	1	042-4997-27	\$156.00
2	Consult	Case, gear, lift assy	1	072-2361-01	\$188.00
3	Consult	Case, gear, lift assy	1	072-2362-04	\$188.00
4	42967	Cap	2	001-4457-01	\$1.00
5	Consult	Pusher, segment M	4	041-4355-01	\$62.00
6	Consult	Oil seal	2	041-4359-05	\$8.00
7	Consult	Gear head, worm	1	065-9665-01	\$400.00
8	Consult	Bracket, gear, head	1	042-4523-16	\$7.00
9	189281	Key, parallel, both ends round	2	046-2185-03	\$3.50
10	Consult	Gear, flat	2	042-4539-24	\$99.00
11	Consult	Collar, pinion, hold	2	042-4515-25	\$5.00
12	Consult	Bearing, radial, deep groove	2	000-3654-07	\$13.00
13	Consult	Holder, bearing, lift	2	042-4622-21	\$33.00
14	Consult	Bracket, lift, drive	1	101-1504-05	\$30.00
15	Consult	Gear, rack lift	2	101-1502-08	\$188.00
16	Consult	Collar, stopper	2	098-3130-02	\$14.00
19	41654	Seal	1	014-3683-03	\$3.85
20	Consult	Base, head, lift F	1	101-1501-13	\$109.00
21	Consult	Plate B, connect, fix	1	079-3045-26	\$30.00
22	Consult	Detect, plate, original, lift	1	101-1585-07	\$6.00
23	Consult	Block B, housing, rear head	2	070-5489-00	\$25.00
24	Consult	Bracket, connect, rear head	1	101-1503-01	\$34.00
25	Consult	Base, head, lift R	1	101-1521-18	\$99.00
26	157864	Ball plungers	2	072-2115-01	\$45.00
27	Consult	Block B, slide, lift change over	2	076-1781-07	\$7.00
28	99029	Sensor assy lift lower, home position (B5)	1	072-2279-26	\$63.50
32	180618	Collar, lift head	8	076-9554-16	\$2.50
33	Consult	Collar	2	090-0667-06	\$4.00
37	Consult	Accessory, clamp, LWS clamp	2	073-7212-04	\$1.00

See Wrapper Main Body Unit for Lift Motor and Servo

Price and availability confirmation recommended

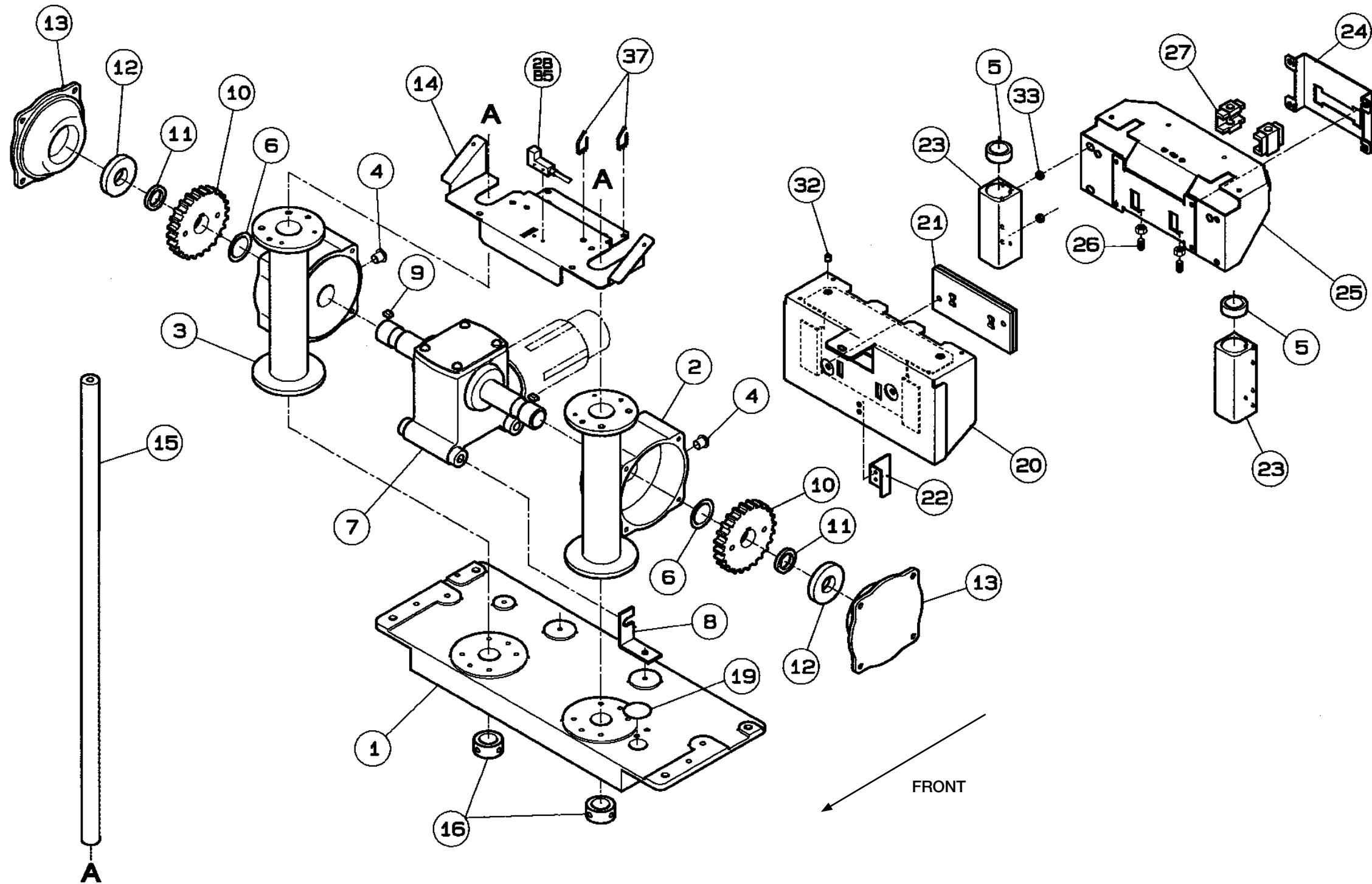
An ISO 9001 Registered Company ©2022 Rice Lake Weighing Systems 1/22 Prices and specifications subject to change without notice. Visit ricelake.com for current prices.

RICE LAKE
WEIGHING SYSTEMS

Discontinued Products

Ishida WM-4000

Lift Drive Unit



B5 - Lift home position